

Dist	COUNTY	ROUTE	POST MILES TOTAL PROJECT	SHEET No.	TOTAL SHEETS

REGISTERED CIVIL ENGINEER

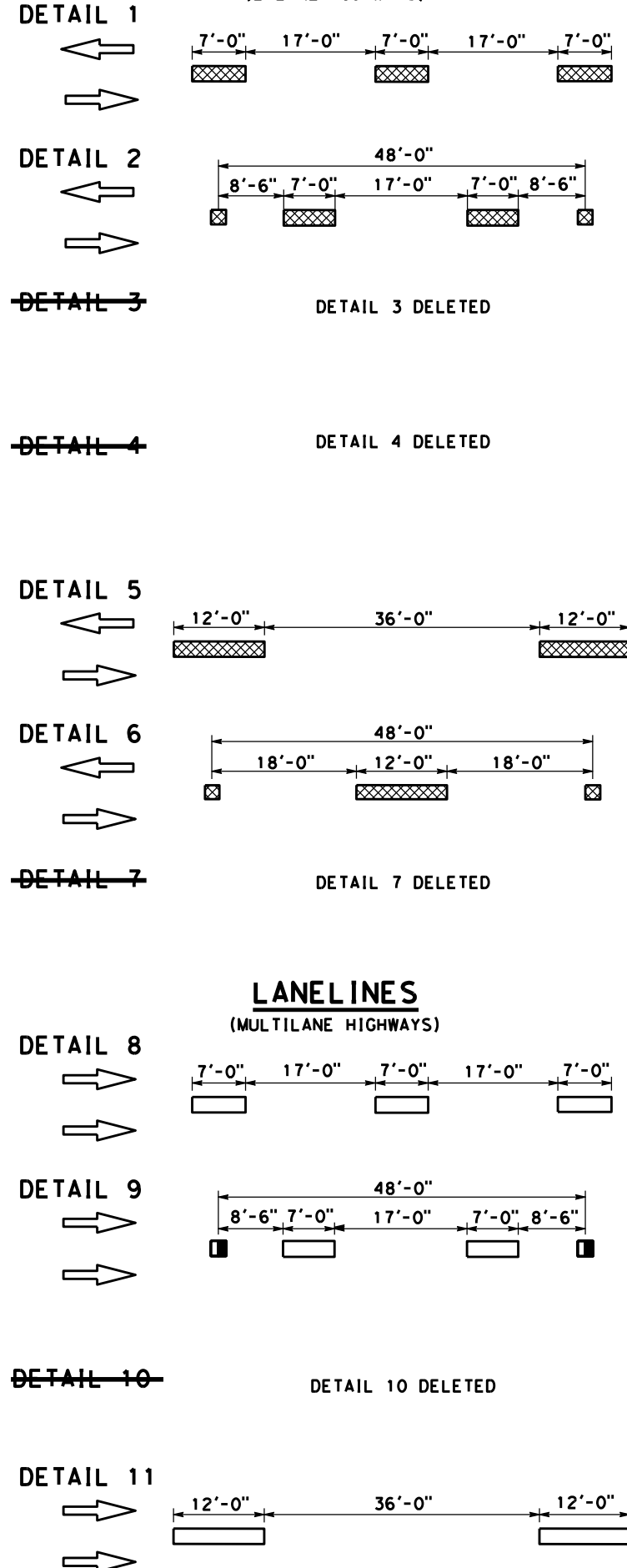
Month DD, 2017

PLANS APPROVAL DATE

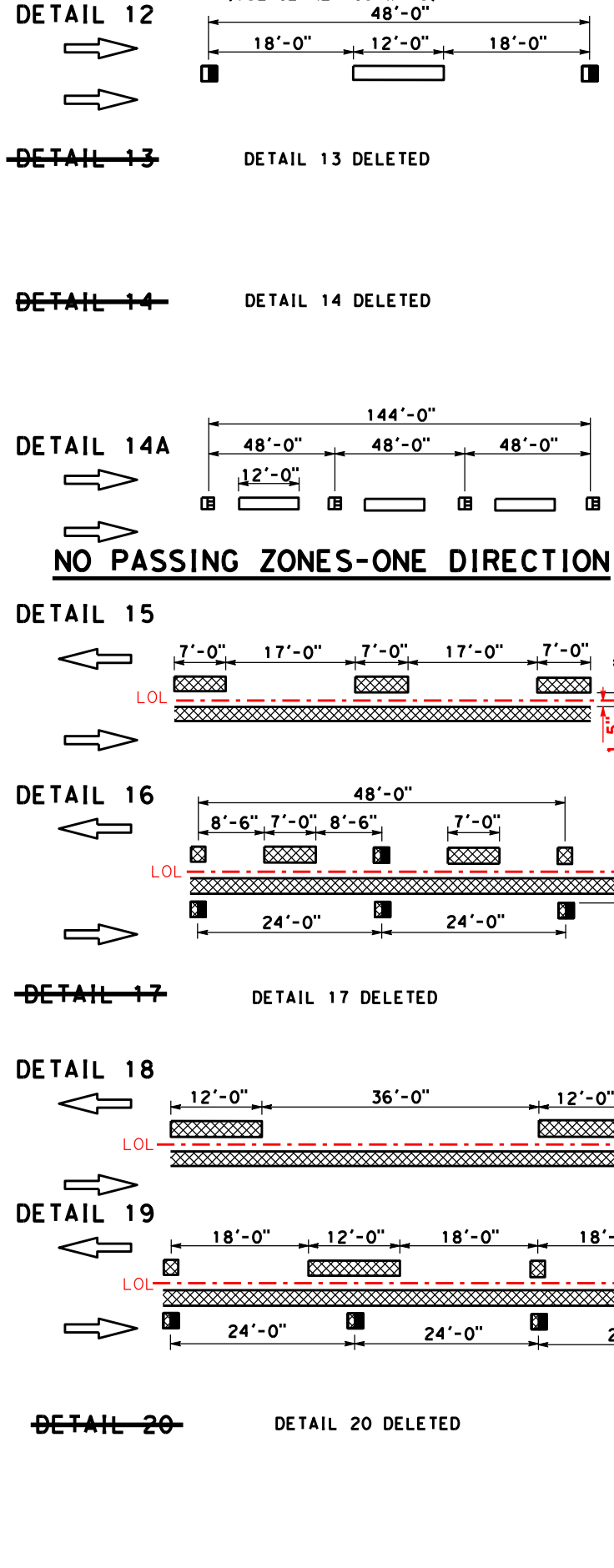
THE STATE OF CALIFORNIA OR ITS OFFICERS OR AGENTS SHALL NOT BE RESPONSIBLE FOR THE ACCURACY OR COMPLETENESS OF SCANNED COPIES OF THIS PLAN SHEET.

REGISTERED PROFESSIONAL ENGINEER  
**Atifa Ferouz**  
No. C80402  
Exp. 3-31-19  
CIVIL  
STATE OF CALIFORNIA

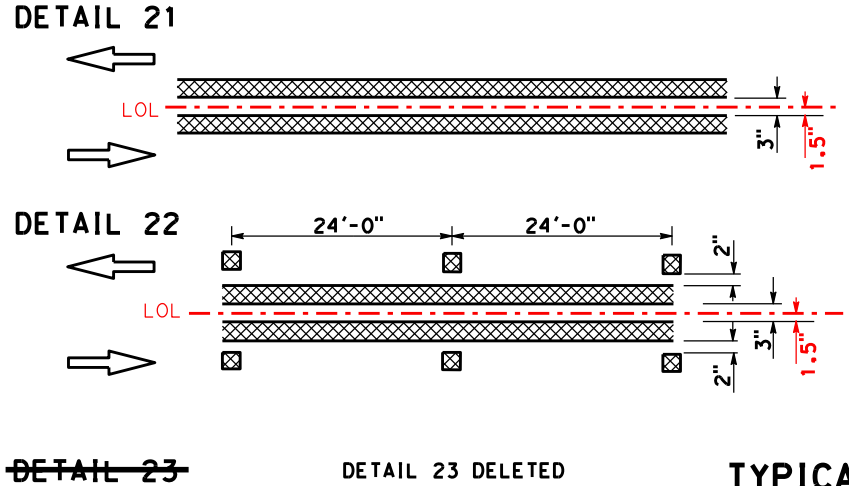
**CENTERLINES**  
(2 LANE HIGHWAYS)



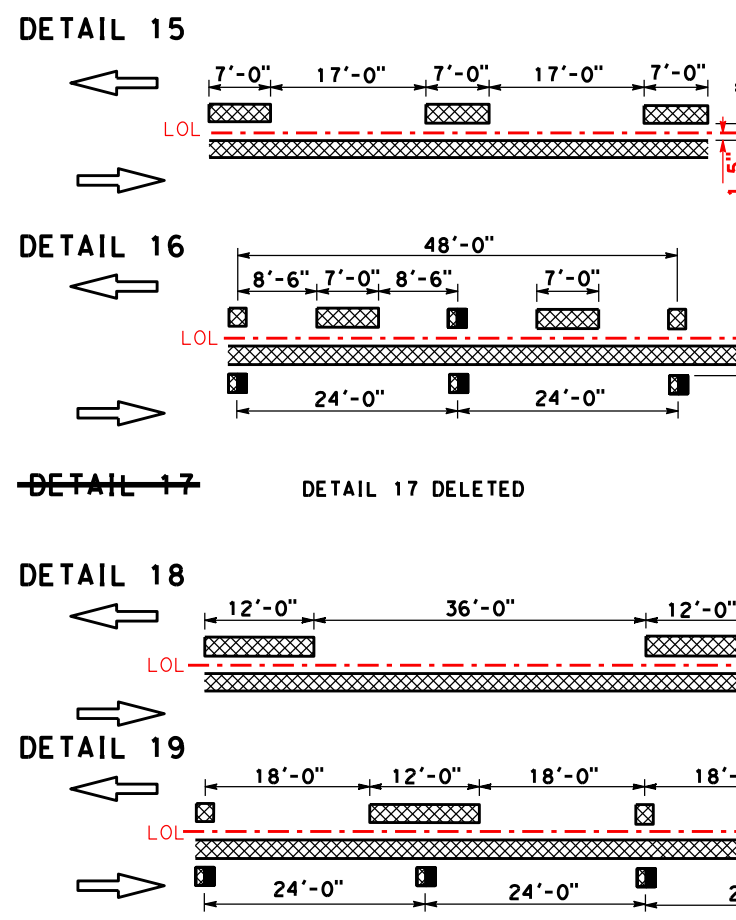
**LANELINES (Cont)**  
(MULTILANE HIGHWAYS)



**NO PASSING ZONES-TWO DIRECTION**



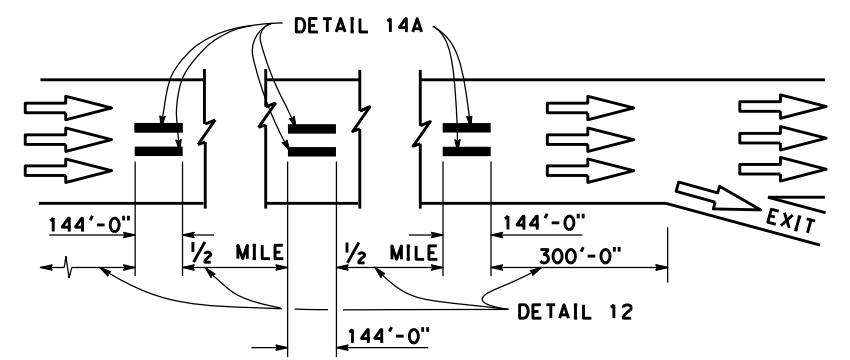
**NO PASSING ZONES-ONE DIRECTION**



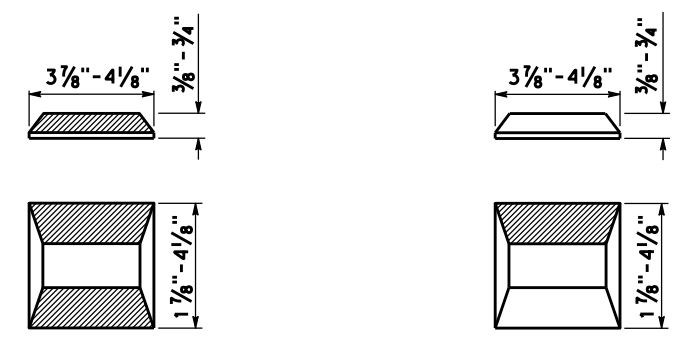
**LEGEND**

- MARKERS**
- TYPE C RED-CLEAR RETROREFLECTIVE
  - TYPE D TWO-WAY YELLOW RETROREFLECTIVE
  - TYPE G ONE-WAY CLEAR RETROREFLECTIVE
  - TYPE H ONE-WAY YELLOW RETROREFLECTIVE
- LINES**
- 6" WHITE
  - 6" YELLOW

**TYPICAL LANE LINE DELINEATION IN ADVANCE OF EXIT RAMP**



**MARKER DETAILS**



**TYPE C AND TYPE D      TYPE G AND TYPE H**

RETROREFLECTIVE FACE

STATE OF CALIFORNIA  
DEPARTMENT OF TRANSPORTATION  
**PAVEMENT MARKERS  
AND TRAFFIC LINES  
TYPICAL DETAILS**

NO SCALE

RSP A20A DATED JULY 21, 2017 SUPERSEDES STANDARD PLAN A20A  
DATED OCTOBER 30, 2015 - PAGE 12 OF THE STANDARD PLANS BOOK DATED 2015.

**REVISED STANDARD PLAN RSP A20A**

2015 REVISED STANDARD PLAN RSP A20A

Dist	COUNTY	ROUTE	POST MILES TOTAL PROJECT	SHEET No.	TOTAL SHEETS

REGISTERED CIVIL ENGINEER

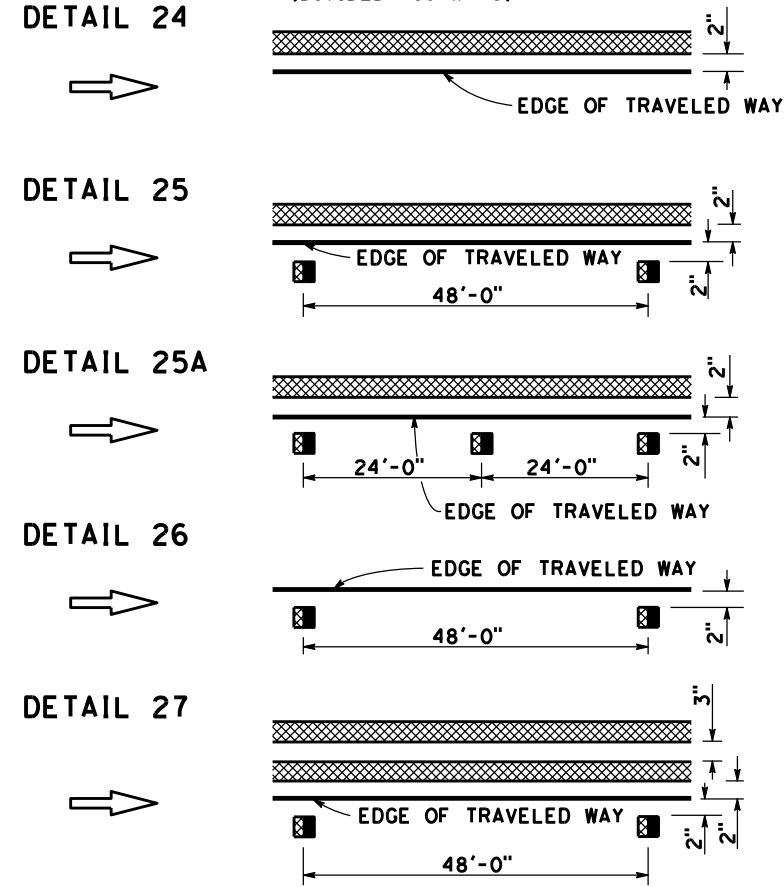
Month DD, 2017  
PLANS APPROVAL DATE

Atifa Ferouz  
No. C80402  
Exp. 3-31-19  
CIVIL  
STATE OF CALIFORNIA

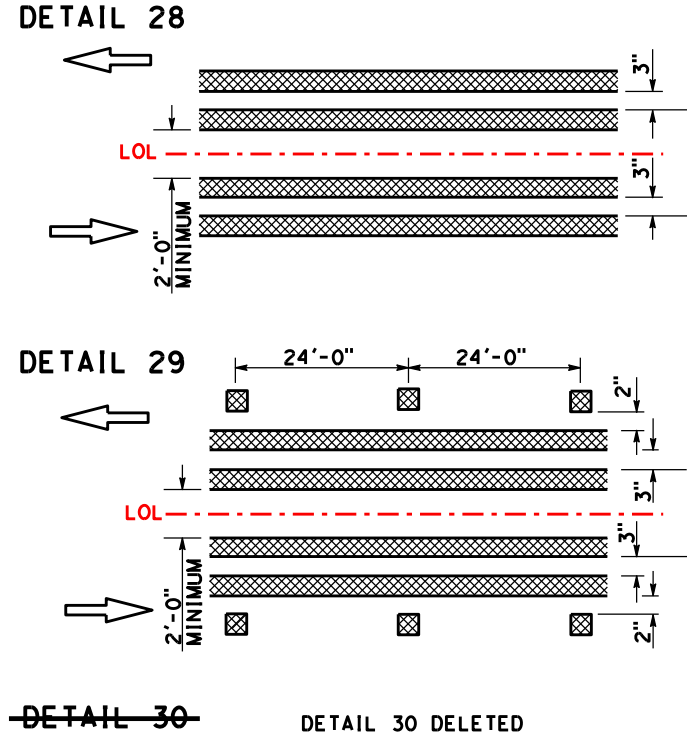
THE STATE OF CALIFORNIA OR ITS OFFICERS OR AGENTS SHALL NOT BE RESPONSIBLE FOR THE ACCURACY OR COMPLETENESS OF SCANNED COPIES OF THIS PLAN SHEET.

**LEFT EDGELINES**

(DIVIDED HIGHWAYS)



**MEDIAN ISLANDS**



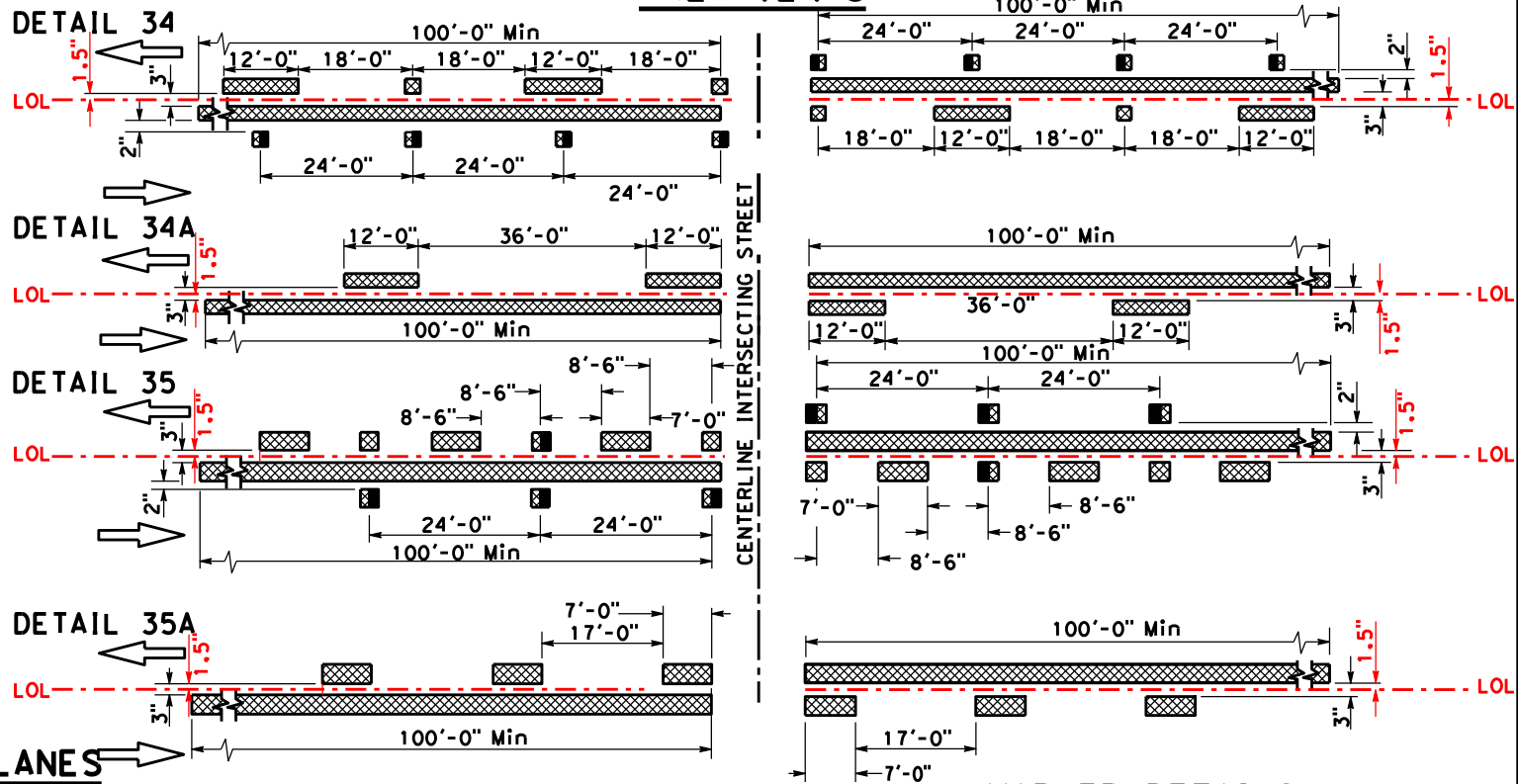
**LEGEND**

- MARKERS**
- TYPE D TWO-WAY YELLOW RETROREFLECTIVE
  - TYPE H ONE-WAY YELLOW RETROREFLECTIVE

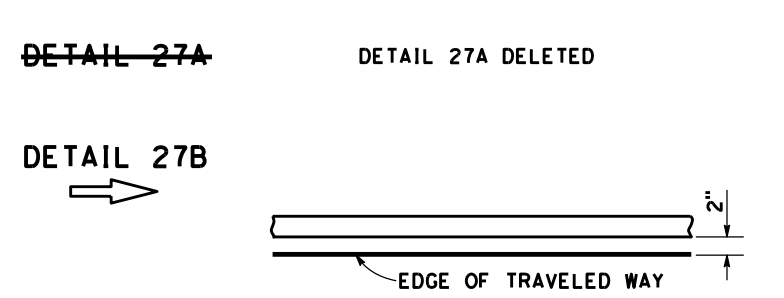
**LINES**

- 6" WHITE
- 6" YELLOW

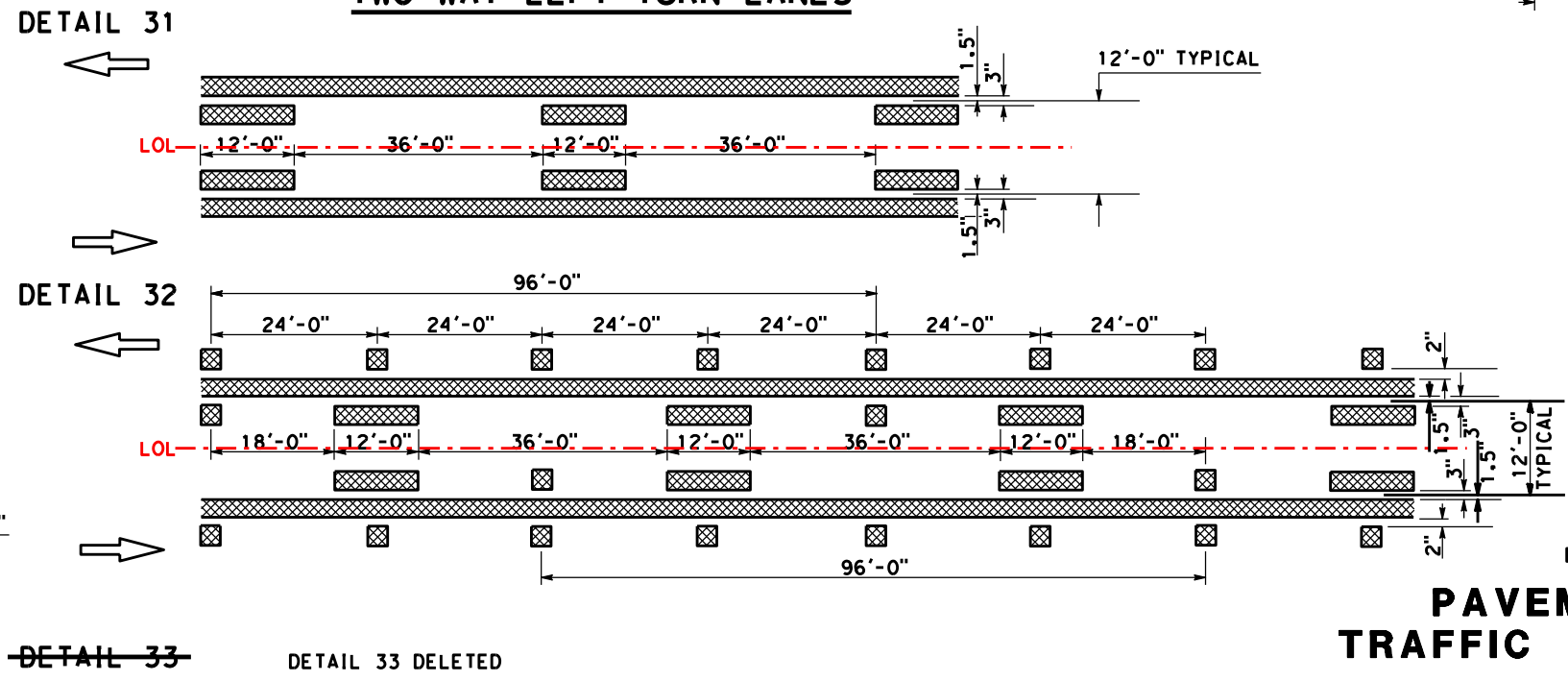
**INTERSECTION TREATMENTS**



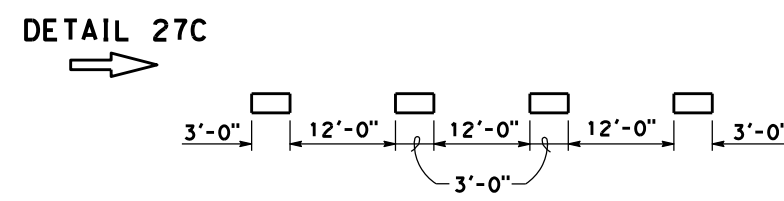
**RIGHT EDGELINES**



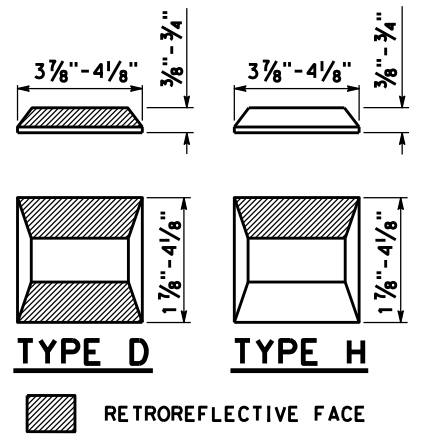
**TWO-WAY LEFT TURN LANES**



**RIGHT EDGELINE EXTENSION THROUGH INTERSECTIONS**



**MARKER DETAILS**



**PAVEMENT MARKERS AND TRAFFIC LINES TYPICAL DETAILS**

NO SCALE

RSP A20B DATED JULY 21, 2017 SUPERSEDES STANDARD PLAN A20B DATED OCTOBER 30, 2015 - PAGE 13 OF THE STANDARD PLANS BOOK DATED 2015.

**REVISED STANDARD PLAN RSP A20B**

2015 REVISED STANDARD PLAN RSP A20B

Dist	COUNTY	ROUTE	POST MILES TOTAL PROJECT	SHEET No.	TOTAL SHEETS

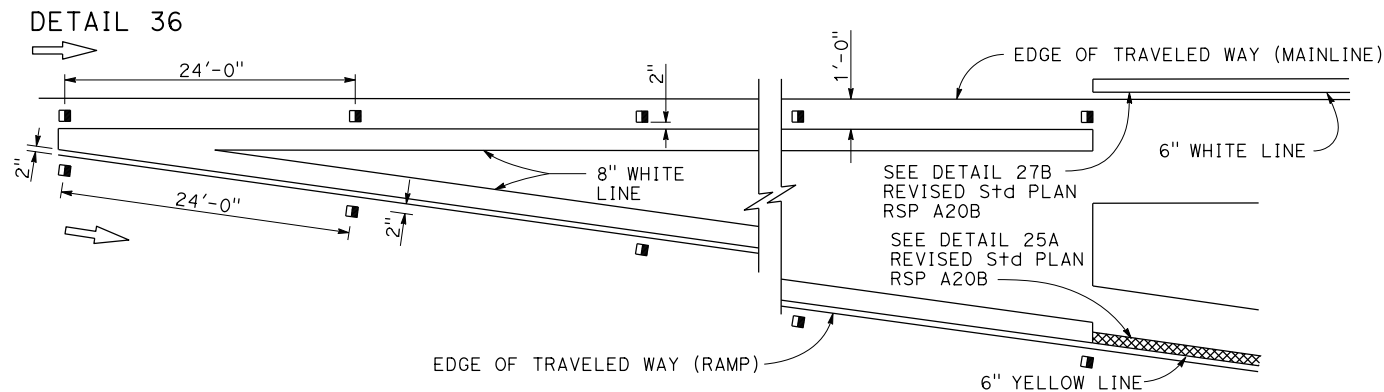
REGISTERED CIVIL ENGINEER

Month DD, 2017  
PLANS APPROVAL DATE

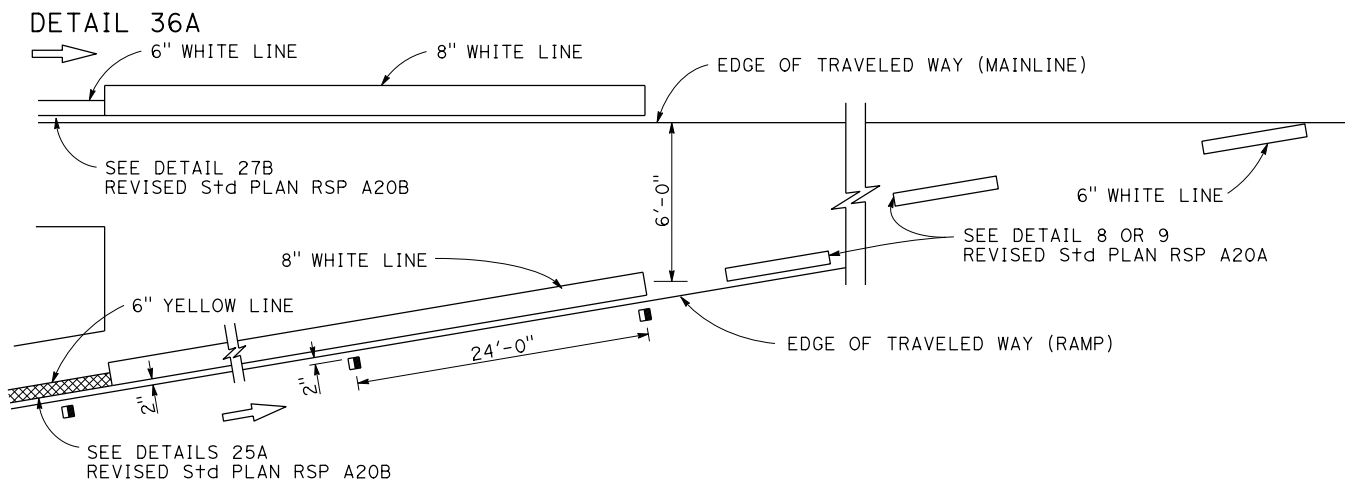
Atifa Ferouz  
No. C80402  
Exp. 3-31-19  
CIVIL  
STATE OF CALIFORNIA

TO ACCOMPANY PLANS DATED \_\_\_\_\_

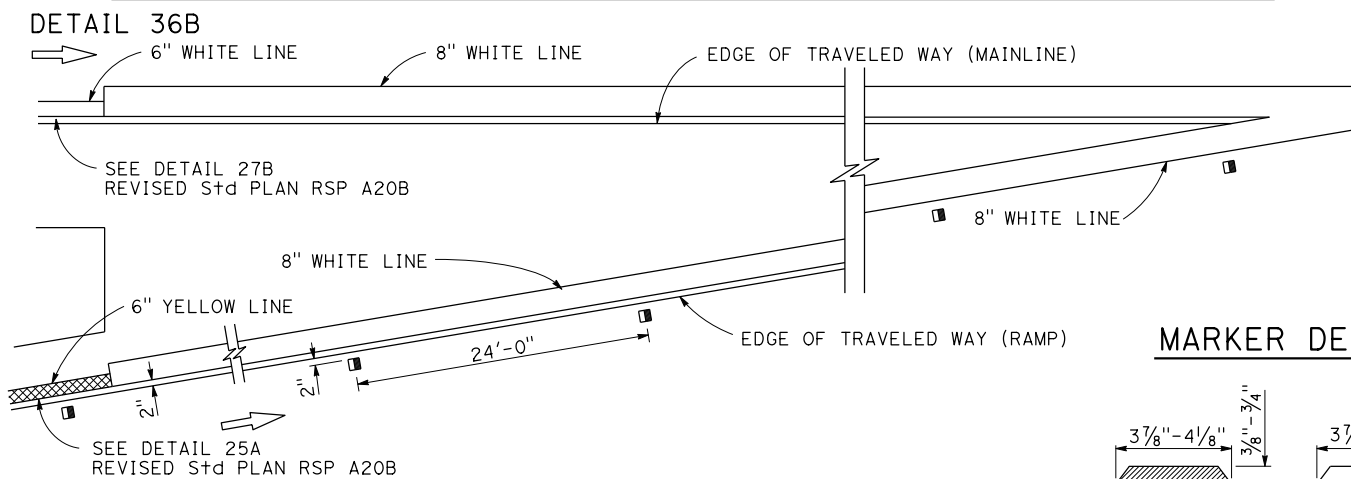
### EXIT RAMP NEUTRAL AREA (GORE) TREATMENT



### ENTRANCE RAMP NEUTRAL AREA (MERGE) TREATMENT

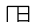



### ENTRANCE RAMP NEUTRAL AREA (ACCELERATION LANE) TREATMENT

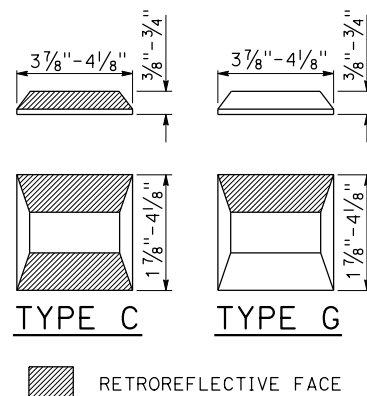


**LEGEND:**

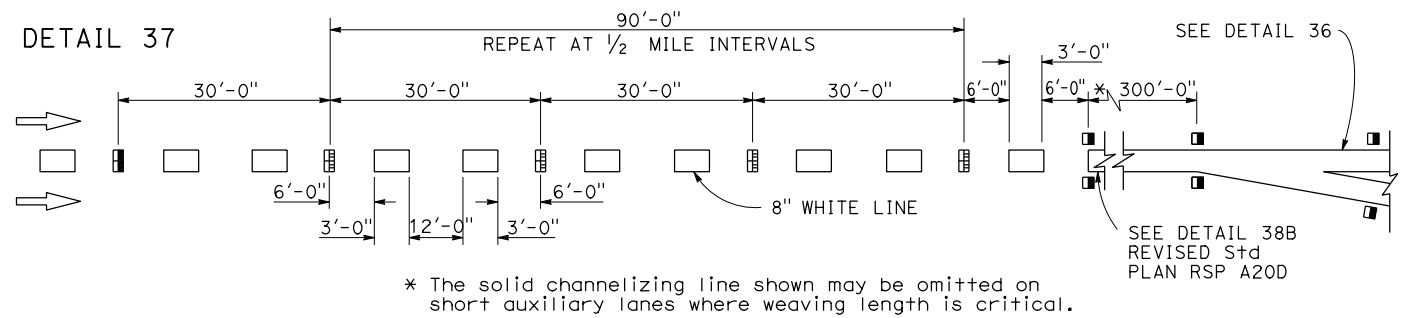
MARKERS

-  TYPE C RED-CLEAR RETROREFLECTIVE
-  TYPE G ONE-WAY CLEAR RETROREFLECTIVE

### MARKER DETAILS

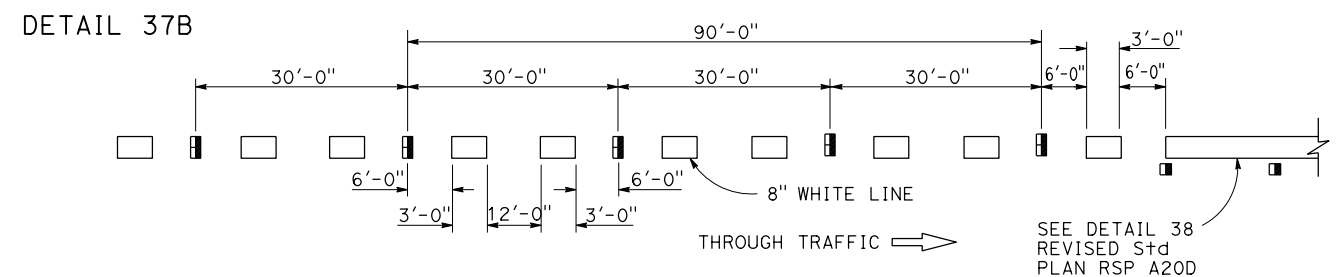


### LANE DROP AT EXIT RAMP



~~DETAIL 37A~~ DETAIL 37A DELETED

### LANE DROP AT INTERSECTIONS



~~DETAIL 37C~~ DETAIL 37C DELETED

STATE OF CALIFORNIA  
DEPARTMENT OF TRANSPORTATION

## PAVEMENT MARKERS AND TRAFFIC LINES TYPICAL DETAILS

NO SCALE

RSP A20C DATED JULY 21, 2017 SUPERSEDES STANDARD PLAN A20C  
DATED OCTOBER 30, 2015 - PAGE 14 OF THE STANDARD PLANS BOOK DATED 2015.

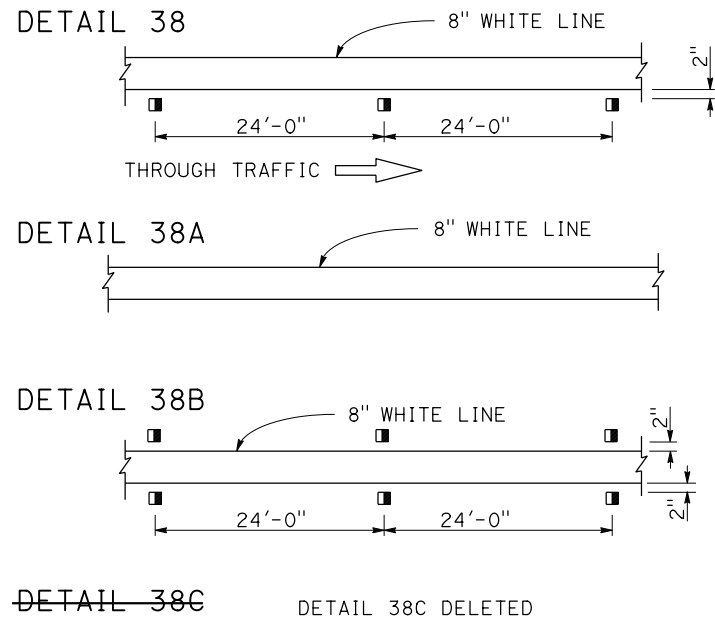
## REVISED STANDARD PLAN RSP A20C

Dist	COUNTY	ROUTE	POST MILES TOTAL PROJECT	SHEET No.	TOTAL SHEETS

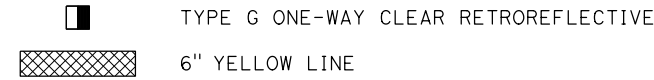
REGISTERED CIVIL ENGINEER	
Month DD, 2017	
PLANS APPROVAL DATE	
<small>THE STATE OF CALIFORNIA OR ITS OFFICERS OR AGENTS SHALL NOT BE RESPONSIBLE FOR THE ACCURACY OR COMPLETENESS OF SCANNED COPIES OF THIS PLAN SHEET.</small>	

### CHANNELIZING LINE

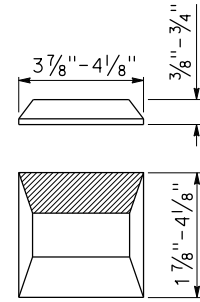


### LEGEND

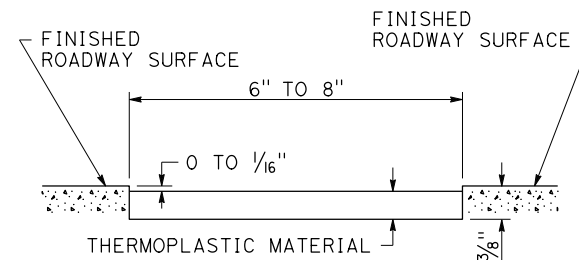
#### MARKERS



### MARKER DETAILS



#### TYPE G



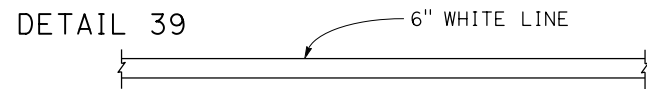
### DETAIL FOR RECESSED THERMOPLASTIC TRAFFIC STRIPE

See Notes A and B.

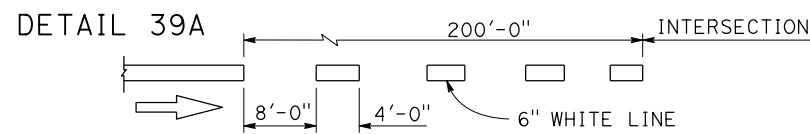
#### RECESSED THERMOPLASTIC NOTES

- See typical traffic line details for pavement marking patterns.
- The top of the thermoplastic installed in recessed pavement shall be 0 to 1/16" below the pavement surface.

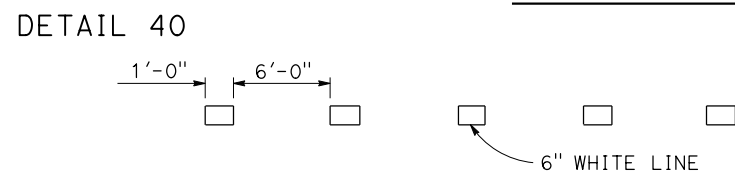
### BIKE LANE LINE



### INTERSECTION LINE BIKE LANE

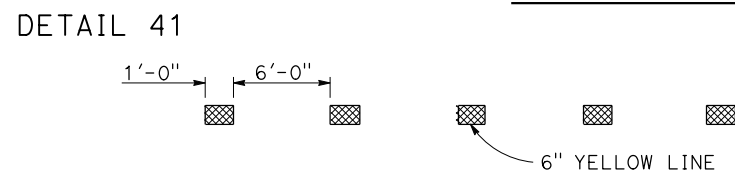


### LANE LINE EXTENSIONS THROUGH INTERSECTIONS

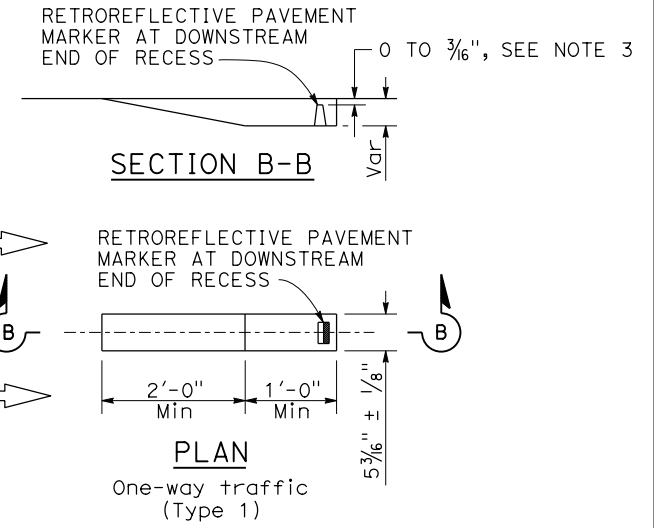
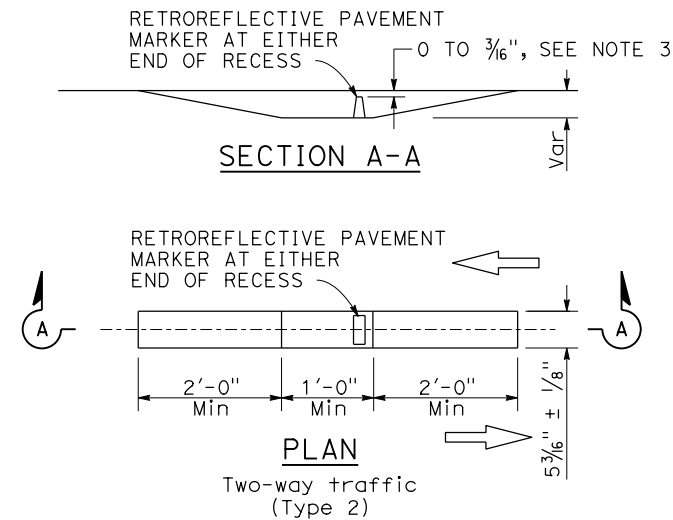


DETAIL 40A DETAIL 40A DELETED

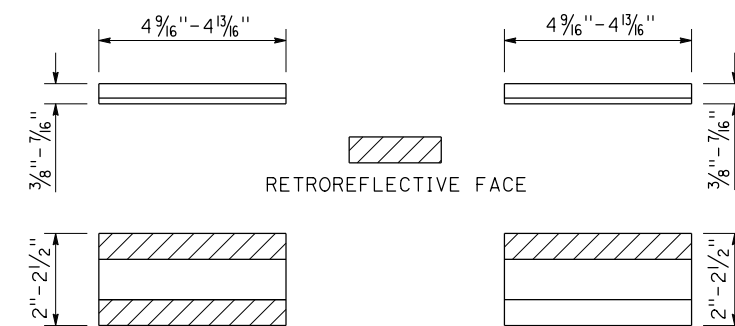
### CENTER LINE EXTENSIONS THROUGH INTERSECTIONS



DETAIL 41A DETAIL 41A DELETED



### RECESS DETAIL FOR RETROREFLECTIVE PAVEMENT MARKER



#### RECESSED MARKER NOTES:

- See typical traffic line details for marker patterns to be used with recessed pavement markers. Detail 14A requires a Type 2 recess.
- The retroreflective pavement markers shown for recessed installations are not to be used for non-recessed installations.
- The top of pavement markers installed in recesses shall be 0 to 3/16" below the pavement surface.

TYPE C AND TYPE D TYPE G AND TYPE H  
See Notes 1 and 2.

### RETROREFLECTIVE PAVEMENT MARKER FOR RECESSED INSTALLATION

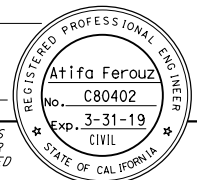
STATE OF CALIFORNIA  
DEPARTMENT OF TRANSPORTATION

## PAVEMENT MARKERS AND TRAFFIC LINES TYPICAL DETAILS

NO SCALE

RSP A20D DATED JULY 21, 2017 SUPERSEDES STANDARD PLAN A20D  
DATED OCTOBER 30, 2015 - PAGE 15 OF THE STANDARD PLANS BOOK DATED 2015.

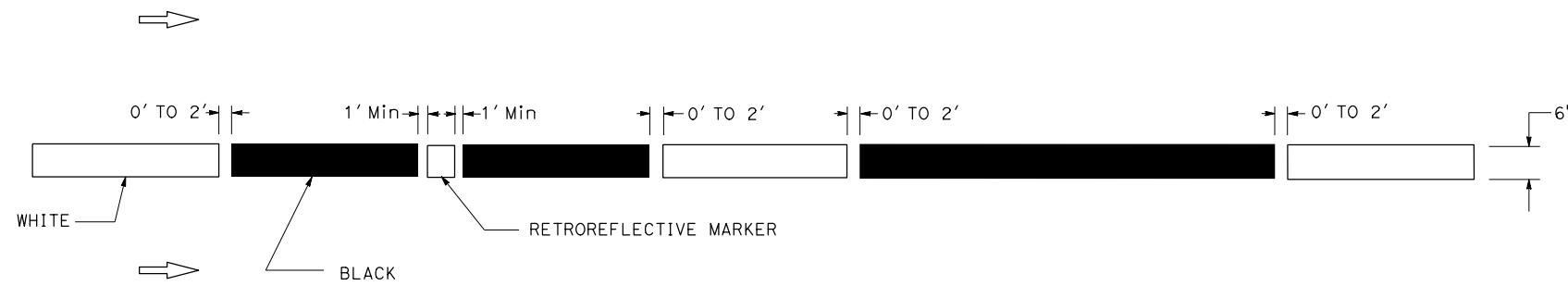
## REVISED STANDARD PLAN RSP A20D

Dist	COUNTY	ROUTE	POST MILES TOTAL PROJECT	SHEET No.	TOTAL SHEETS
REGISTERED CIVIL ENGINEER					
Month DD, 2017					
PLANS APPROVAL DATE					
					
<small>THE STATE OF CALIFORNIA OR ITS OFFICERS OR AGENTS SHALL NOT BE RESPONSIBLE FOR THE ACCURACY OR COMPLETENESS OF SCANNED COPIES OF THIS PLAN SHEET.</small>					

TO ACCOMPANY PLANS DATED \_\_\_\_\_

**NOTES:**

1. See Revised Standard Plans RSP A20A, RSP A20B, RSP A20C, and RSP A20D for pavement markers and traffic lines typical details.
2. Detail 9 traffic stripe shown, see project plans for traffic stripe details.



OPTION 2  
TYPICAL LANE LINE CONTRAST DETAIL  
See Note 2



OPTION 1  
TYPICAL LANE LINE OR RIGHT EDGE LINE CONTRAST DETAIL

STATE OF CALIFORNIA  
DEPARTMENT OF TRANSPORTATION  
**PAVEMENT MARKERS  
AND TRAFFIC LINES**  
**TYPICAL DETAILS FOR CONTRAST STRIPING**  
NO SCALE

RSP A20E DATED JULY 21, 2017 SUPERSEDES RSP A20E DATED JANUARY 20, 2017  
THAT SUPPLEMENTS THE STANDARD PLANS BOOK DATED 2015.

**REVISED STANDARD PLAN RSP A20E**

2015 REVISED STANDARD PLAN RSP A20E

Dist	COUNTY	ROUTE	POST MILES TOTAL PROJECT	SHEET No.	TOTAL SHEETS

REGISTERED CIVIL ENGINEER

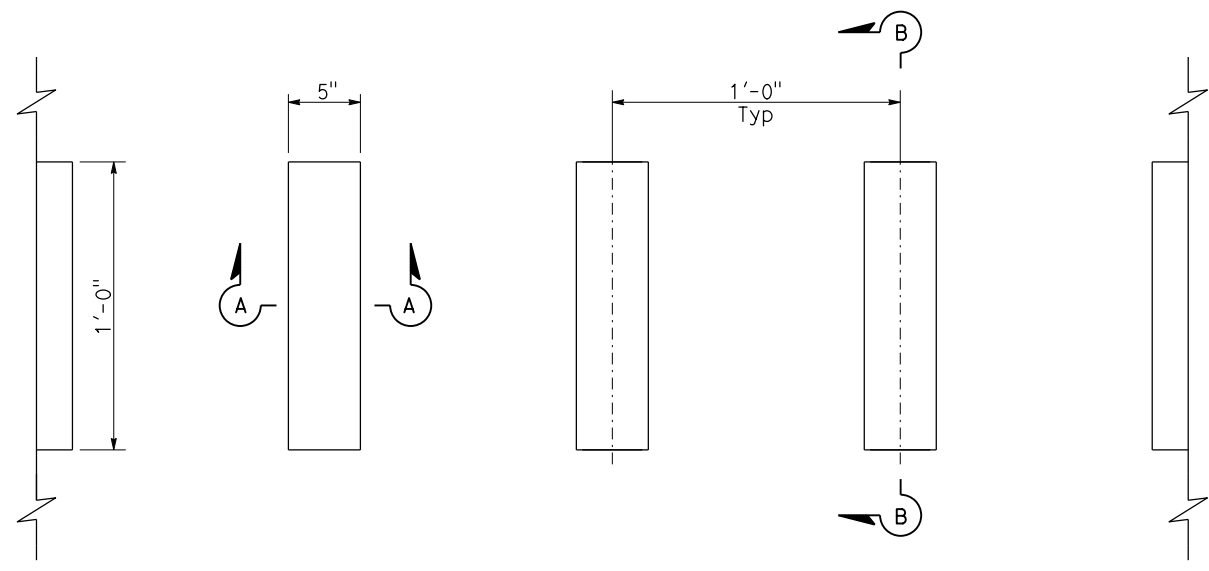
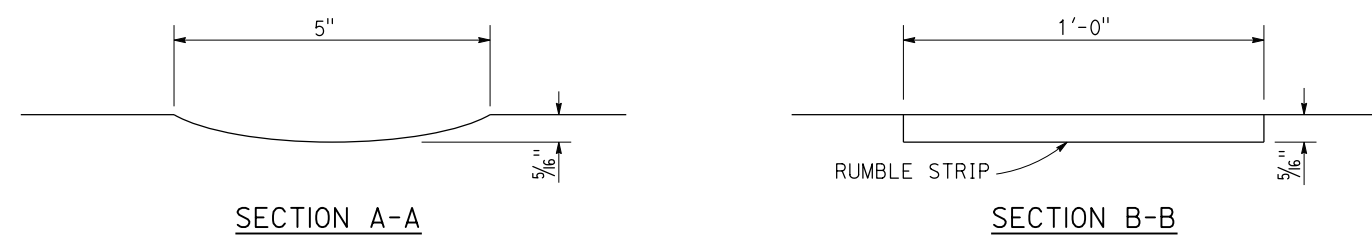
Month DD, 2017

PLANS APPROVAL DATE

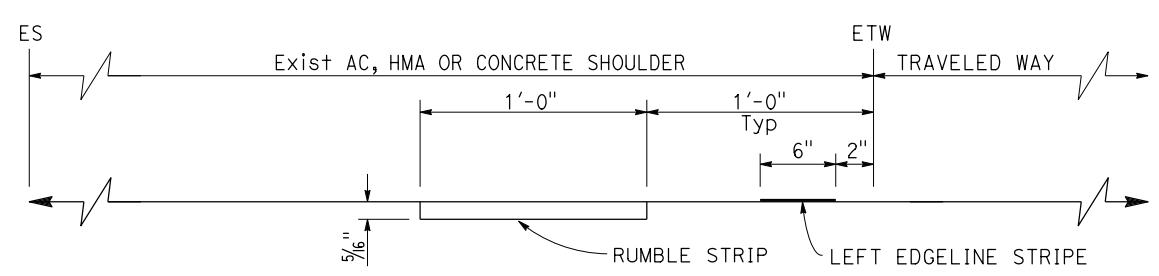
Atifa Ferouz  
No. C80402  
Exp. 3-31-19  
CIVIL  
STATE OF CALIFORNIA

THE STATE OF CALIFORNIA OR ITS OFFICERS OR AGENTS SHALL NOT BE RESPONSIBLE FOR THE ACCURACY OR COMPLETENESS OF SCANNED COPIES OF THIS PLAN SHEET.

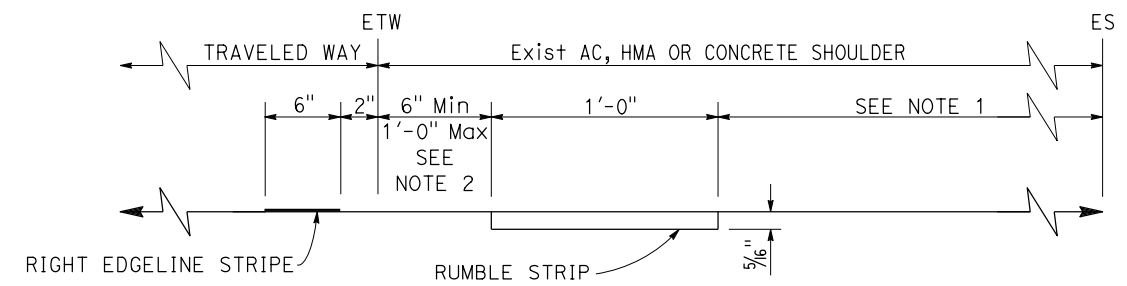
TO ACCOMPANY PLANS DATED \_\_\_\_\_



PLAN  
GROUND-IN INDENTATIONS



RUMBLE STRIP PLACEMENT  
LEFT OF DIRECTION OF TRAVEL



RUMBLE STRIP PLACEMENT  
RIGHT OF DIRECTION OF TRAVEL

TYPICAL GROUND-IN RUMBLE STRIP  
SHOULDER PLACEMENT

NOTES:

1. Where bicycles are permitted, shoulder rumble strips should not be used right of direction of travel unless a minimum of 5'-0" of clear shoulder width for bicycle use is available between the rumble strip and the outer edge of the shoulder. Where bicycles are not permitted, a minimum of 4'-0" of distance is required between the rumble strip and the outer edge of the shoulder.
2. Unless otherwise shown on the plans or specified in the special provisions, the 6" offset from the edge of traveled way to the edge of the rumble strip shall be used for rumble strip placement right of the direction of travel.

STATE OF CALIFORNIA  
DEPARTMENT OF TRANSPORTATION

**SHOULDER RUMBLE STRIP  
DETAILS  
GROUND-IN INDENTATIONS**

NO SCALE

RSP A20B DATED JULY 21, 2017 SUPERSEDES STANDARD PLAN A40B  
DATED OCTOBER 30, 2015 - PAGE 22 OF THE STANDARD PLANS BOOK DATED 2015.

**REVISED STANDARD PLAN RSP A40B**

2015 REVISED STANDARD PLAN RSP A40B

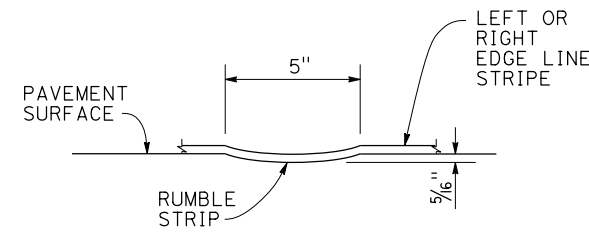
Dist	COUNTY	ROUTE	POST MILES TOTAL PROJECT	SHEET No.	TOTAL SHEETS

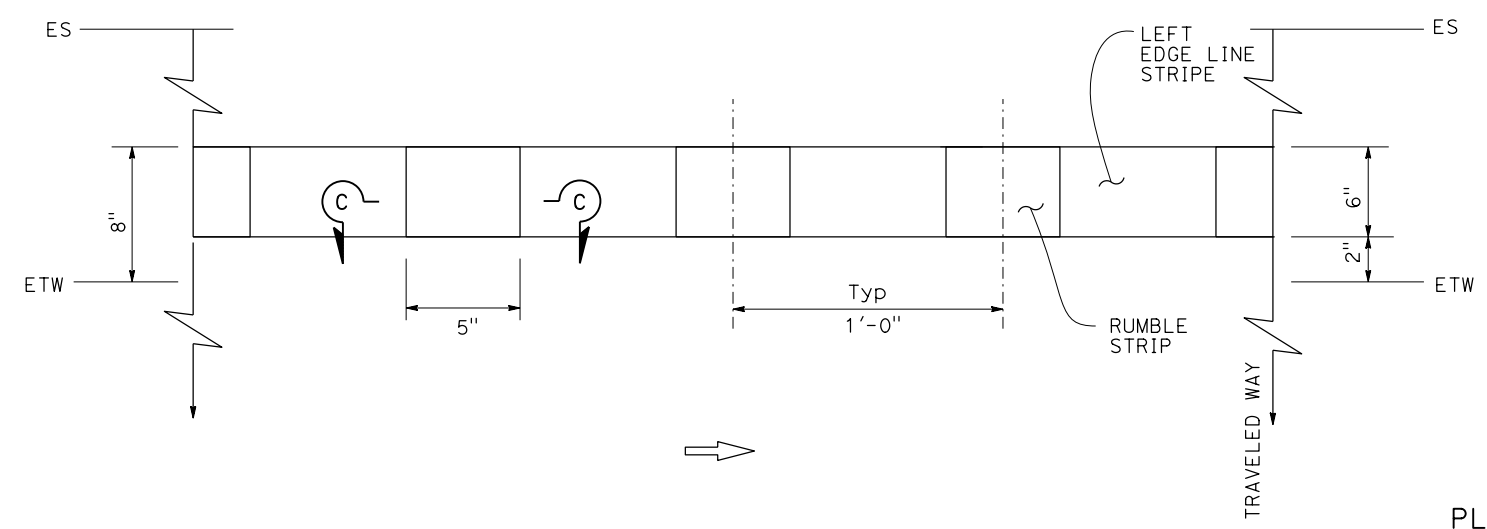
REGISTERED CIVIL ENGINEER	
Month DD, 2017	
PLANS APPROVAL DATE	

THE STATE OF CALIFORNIA OR ITS OFFICERS OR AGENTS SHALL NOT BE RESPONSIBLE FOR THE ACCURACY OR COMPLETENESS OF SCANNED COPIES OF THIS PLAN SHEET.

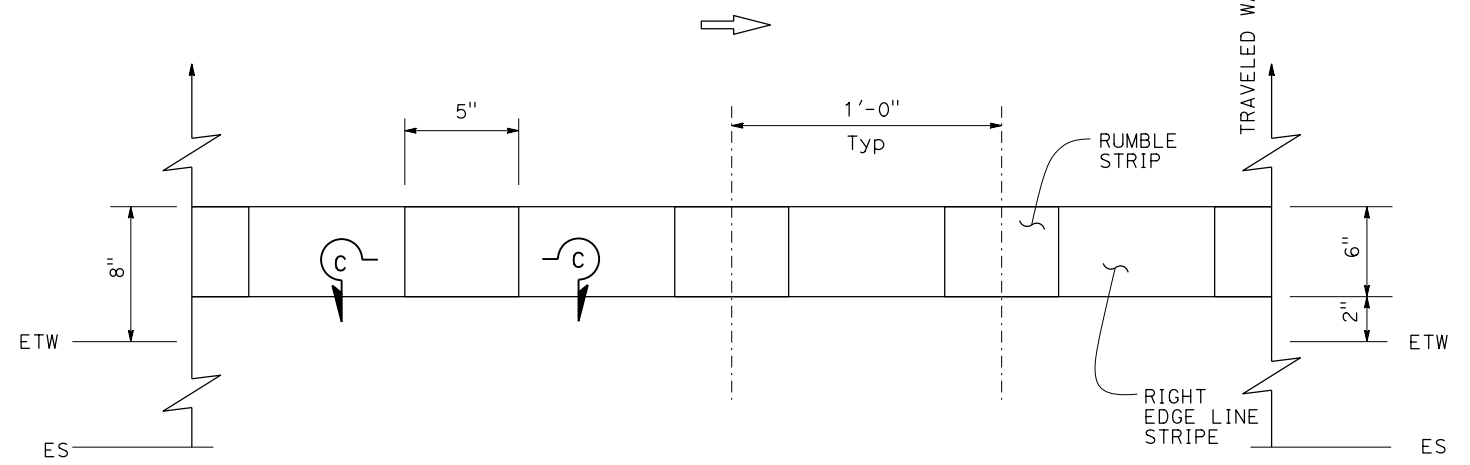
TO ACCOMPANY PLANS DATED \_\_\_\_\_



SECTION C-C



EDGE LINE RUMBLE STRIP PLACEMENT  
LEFT OF DIRECTION OF TRAVEL



EDGE LINE RUMBLE STRIP PLACEMENT  
RIGHT OF DIRECTION OF TRAVEL

TYPICAL EDGE LINE RUMBLE STRIP PLACEMENT

STATE OF CALIFORNIA  
DEPARTMENT OF TRANSPORTATION  
**EDGE LINE RUMBLE STRIP  
DETAILS  
GROUND-IN INDENTATIONS**

NO SCALE

RSP A40C DATED JULY 21, 2017 SUPERSEDES RSP A40C DATED JULY 15, 2016  
THAT SUPPLEMENTS THE STANDARD PLANS BOOK DATED 2015.

**REVISED STANDARD PLAN RSP A40C**

Dist	COUNTY	ROUTE	POST MILES TOTAL PROJECT	SHEET No.	TOTAL SHEETS

REGISTERED CIVIL ENGINEER \_\_\_\_\_

Month DD, 2017

PLANS APPROVAL DATE \_\_\_\_\_

Atifa Ferouz  
No. C80402  
Exp. 3-31-19  
CIVIL  
STATE OF CALIFORNIA

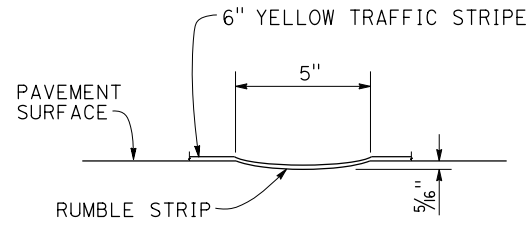
THE STATE OF CALIFORNIA OR ITS OFFICERS OR AGENTS SHALL NOT BE RESPONSIBLE FOR THE ACCURACY OR COMPLETENESS OF SCANNED COPIES OF THIS PLAN SHEET.

TO ACCOMPANY PLANS DATED \_\_\_\_\_

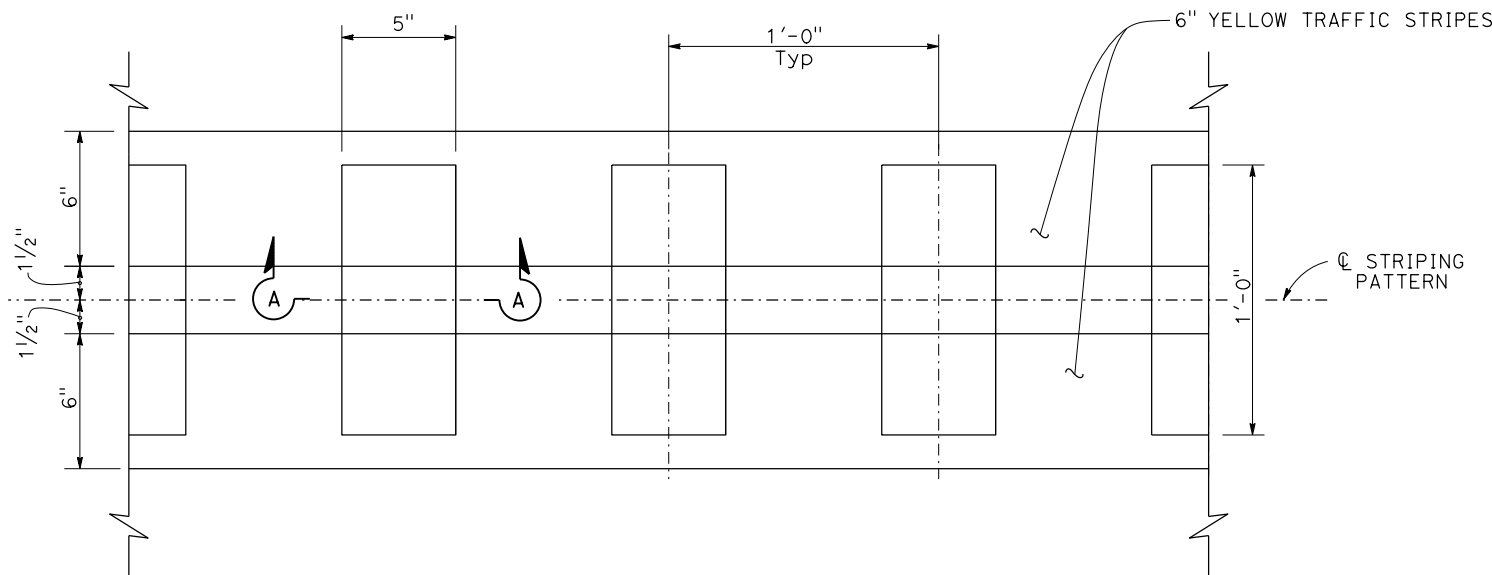
2015 REVISED STANDARD PLAN RSP A40D

**NOTE:**

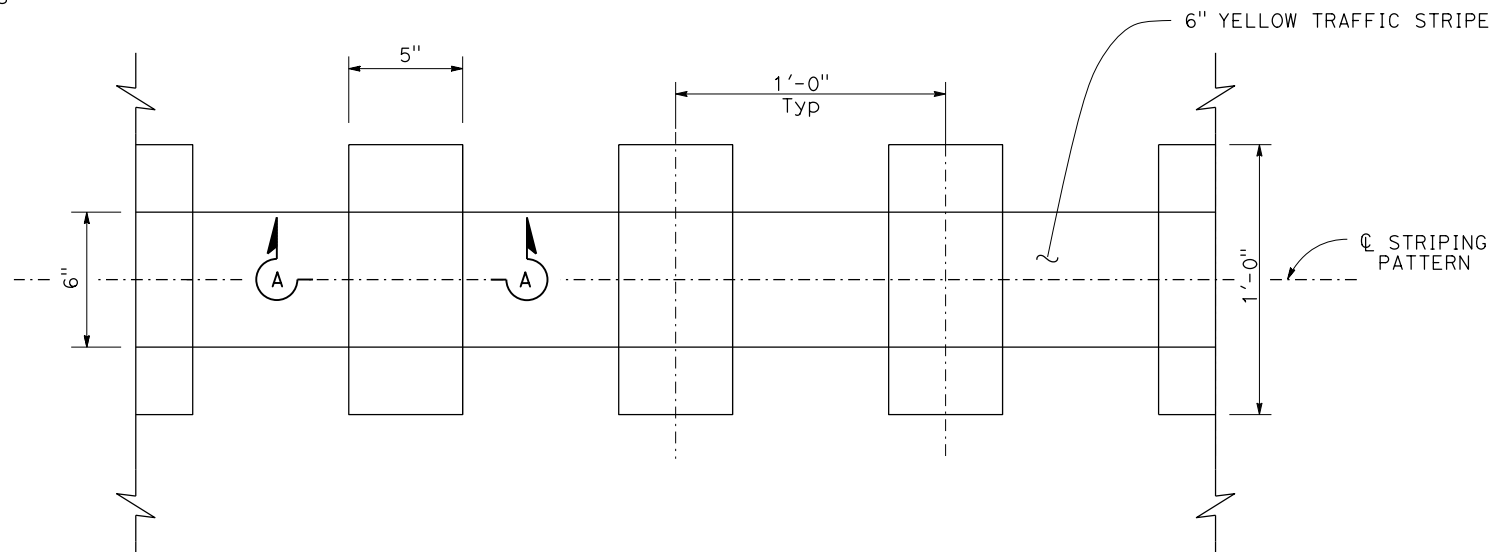
Detail 21 and Detail 5 traffic stripes shown, see project plans for traffic stripe details.



SECTION A-A



RUMBLE STRIP PLACEMENT IN NO PASSING ZONE



RUMBLE STRIP PLACEMENT IN PASSING ZONE

TYPICAL CENTERLINE RUMBLE STRIP PLACEMENT

STATE OF CALIFORNIA  
DEPARTMENT OF TRANSPORTATION  
**CENTERLINE RUMBLE STRIP  
DETAILS  
GROUND-IN INDENTATIONS**  
NO SCALE

RSP A40D DATED JULY 21, 2017 SUPERSEDES RSP A40D DATED JULY 15, 2016  
THAT SUPPLEMENTS THE STANDARD PLANS BOOK DATED 2015.

**REVISED STANDARD PLAN RSP A40D**