



High-Tension Cable Barrier as Guardrail: Survey of Practice

Requested by
Troy Bucko, Division of Traffic Operations

July 27, 2020

The Caltrans Division of Research, Innovation and System Information (DRISI) receives and evaluates numerous research problem statements for funding every year. DRISI conducts Preliminary Investigations on these problem statements to better scope and prioritize the proposed research in light of existing credible work on the topics nationally and internationally. Online and print sources for Preliminary Investigations include the National Cooperative Highway Research Program (NCHRP) and other Transportation Research Board (TRB) programs, the American Association of State Highway and Transportation Officials (AASHTO), the research and practices of other transportation agencies, and related academic and industry research. The views and conclusions in cited works, while generally peer reviewed or published by authoritative sources, may not be accepted without qualification by all experts in the field. The contents of this document reflect the views of the authors, who are responsible for the facts and accuracy of the data presented herein. The contents do not necessarily reflect the official views or policies of the California Department of Transportation, the State of California, or the Federal Highway Administration. This document does not constitute a standard, specification, or regulation. No part of this publication should be construed as an endorsement for a commercial product, manufacturer, contractor, or consultant. Any trade names or photos of commercial products appearing in this publication are for clarity only.

Table of Contents

Executive Summary	2
Background	2
Summary of Findings	2
Gaps in Findings	8
Next Steps	8
Detailed Findings	9
Background	9
Survey of State Practice	10
Survey of Barrier Vendors	21
Related Research and Resources	25
Contacts	33
Appendix A: Survey Questions	35

Executive Summary

Background

Cable barrier systems are traditionally used as median barriers, but their widespread use as guardrail is largely unknown. Some departments of transportation (DOTs) have used high-tension cable barrier in this application, including California Department of Transportation (Caltrans) District 11, which has reported a successful installation on a section of Interstate 15. These safety systems are easy to repair, can be installed in more conditions than traditional three-beam barriers and are also cost-effective, oftentimes costing up to 50% less than traditional three-beam barrier systems.

Caltrans is considering expanding its use of high-tension cable barrier as guardrail in some applications. To inform its evaluation of the safety barrier in this application, the agency is seeking information from other state transportation agencies about their use of high-tension cable barrier as guardrail on the right shoulder of the road. Specifically, Caltrans is interested in best practices, standards and specifications to use in updating its policies and standards for using high-tension cable barrier as guardrail. Product and safety information from cable barrier manufacturers and crash testing facilities is also of interest to Caltrans.

To assist Caltrans in this information-gathering effort, CTC & Associates surveyed state DOTs, cable barrier vendors and crash testing facilities for their knowledge and experience using or testing high-tension cable barrier as guardrail. Supplementing the survey findings is a sampling of publicly available international and domestic resources and guidance.

Summary of Findings

This Preliminary Investigation presents information in three areas:

- Survey of state practice.
- Survey of barrier vendors.
- Related research and resources.

Survey of State Practice

An online survey was distributed to members of the American Association of State Highway and Transportation Officials (AASHTO) Committee on Traffic Engineering. Fourteen state DOTs responded to the survey. Only two agencies (Iowa and Missouri DOTs) have used high-tension cable barrier as guardrail on the right shoulder of the road. One agency (New York State DOT) has approved the use of cable barrier in this application but has not yet installed the system. Two agencies (Connecticut and Wisconsin DOTs) have not used the system in this application but are considering it. Nine agencies (Arizona, Arkansas, Indiana, Michigan, Nevada, New Mexico and Pennsylvania DOTs; Kentucky Transportation Cabinet; and Louisiana Department of Transportation and Development) have not used high-tension cable barrier in this application and are not considering its use.

Findings from these state transportation agencies are presented in the following topic areas:

- Users of high-tension cable as guardrail.
- Nonusers of high-tension cable as guardrail.

Users of High-Tension Cable as Guardrail

Three agencies—Iowa, Missouri and New York State DOTs—described their use or intended use of high-tension cable barrier as guardrail on the right shoulder of the road. New York State DOT allows the use of high-tension cable barrier on roadsides but has only recently approved a version of the Brifen USA cable fence as the standard for roadside use. Because the agency does not anticipate an installation of high-tension cable on a roadside until the end of this construction season, the details provided in this Preliminary Investigation are estimates or anticipated outcomes.

System Description

Iowa and New York State DOTs use or have approved the use of Brifen USA cable barrier systems for a roadside application. Iowa DOT also uses cable barrier systems produced by Gibraltar and Trinity Highway Products (the CASS cable barrier system). The Missouri DOT respondent did not provide the name of the barrier or vendor used in the state.

The respondents from Iowa and Missouri DOTs noted that the systems used were complete systems, that is, they include tie-downs, end protection and other elements necessary for installation. The New York State DOT respondent, however, reported that the system approved for use in the state was not complete as the general contractor is required to supply the end anchor blocks and install the system. None of the respondents provided information about a project plan set that was used for a specific barrier installation. Standard plans, specifications and other guidance are provided for selecting, installing and maintaining the high-tension cable barrier systems used by these agencies as guardrail on the right shoulder of the road.

System Implementation and Maintenance

Implementation Considerations

Missouri DOT has used high-tension cable barrier in this application for approximately 10 years; Iowa DOT has used its system for approximately 15 years. (New York State DOT has approved the use of cable barrier in this application and anticipates its first installation will be completed by the end of this construction season.)

To determine if high-tension cable barrier is suitable as guardrail for a specific location, these agencies consider allowable deflection (Iowa), reduced visual impact (New York) and the duration of the installation (Iowa). In Iowa, W-beam is less expensive for short-term installations compared to the cost of anchors needed for cable. Cost is also a consideration in New York; the respondent noted that historically, its generic cable system has been much less expensive than traditional barriers.

Agencies consider a range of conditions to determine whether a high-tension cable barrier system is more appropriate than the traditional Midwest Guardrail System or concrete barrier for a specific application. Among the selection criteria considered are deflection distance (New York), ease and cost of repair (Iowa), frequency of impacts (New York), limited use (Missouri), sight distance on shared four-lane roads (Missouri), slope steepness (New York) and snow drifting (Iowa).

Installation Specifications

Installation specifications for high-tension cable barrier systems on the right shoulder of the road vary among agencies, which often rely on the manufacturer's recommendations. Table ES-1 summarizes agency specifications (when provided).

Table ES-1. Cable Barrier System Installation Specifications

Topic	Iowa	Missouri	New York*
System/ Vendor	High-tension cable barrier <i>Brifen USA, Gibraltar, CASS</i>	Unknown	Cable fence <i>Brifen USA</i>
Minimum Length of Right Side Barrier	60 to 100 feet (minimum for installations consisting only of anchor sections)	No minimum	500 feet
Minimum Radius	Manufacturer's recommendation	Manufacturer's recommendation	Approx. 500 feet
Minimum Deflection Area	10 feet minimum (preferred)	8 feet to 12 feet	<ul style="list-style-type: none"> • 11 feet for 16-foot post spacing. • 8 feet for 8-foot post spacing.
Post Spacing	Typically 10 feet: <ul style="list-style-type: none"> • May change to 5 feet to reduce deflection. • May decrease post spacing in areas with tight curve radius. 	Manufacturer's recommendation	N/R
Required Installation Space	Determined by contractor's operations.	Manufacturer's recommendation	N/R
Section Cross Slope	<ul style="list-style-type: none"> • Preferred: 6:1 • Acceptable: 4:1 	<ul style="list-style-type: none"> • Preferred: 6:1 • Acceptable: 4:1 	N/R
Slope Hinge Point/ Slope Breakpoint	<ul style="list-style-type: none"> • Preferred: 2 feet behind the post • Minimum: 1 foot 	Varies by location	N/R
Attaching to a Structure	Transition using an approach guardrail transition and end terminal	Varies by structure	No
Speed of Facility	55 mph to 70 mph	45 mph to 65 mph	Any operating speed.

N/R No response.

* Estimates only. Installation specifications in New York have not yet been finalized.

Maintenance Practices

Two respondents noted issues with the posts used with cable barrier systems. Iowa DOT uses sockets instead of driven posts, and in winter, the posts tend to freeze in the sockets. Maintenance crews typically must heat the posts to melt the ice before removing the posts. Although New York State DOT does not have experience maintaining these cable barrier systems in this application, the agency has used the Brifen USA system with posts in concrete sockets. The agency banned the use of socketed posts after severe corrosion occurred when briny water accumulated in the sockets.

Another issue in Iowa is ensuring cables are properly tensioned. The respondent noted that time is limited for maintenance crews to check cable tensions.

System Assessment

Safety Implications

In Iowa, a decreased risk of severe injuries has been noted with this barrier system because cable barrier provides a “softer hit” than W-beam or concrete barriers. Also, repairs are quicker than with W-beam barriers, which reduces maintenance crews’ exposure to traffic. In Missouri, these systems increase safety in areas where sight distance is a challenge, but there are concerns about vehicles traveling under the right shoulder cables due to deflections and slopes.

System Performance

Iowa DOT uses crash data and cost of maintenance data to evaluate barrier system performance. Missouri DOT also uses crash data in these evaluations, and New York State DOT anticipates developing a “picture of safety performance” that will include information from field crews about maintenance efforts and costs.

System Benefits

Improved safety conditions were reported by respondents that use high-tension cable barrier as guardrail. Iowa DOT finds that repairing these systems is easier, which reduces the time maintenance crews are exposed to traffic. Missouri DOT noted improved sight distances, and New York State DOT reported that if a high-tension cable barrier system is impacted, the cables maintain a height that enables the system to engage an errant vehicle. Both Iowa and New York State DOTs also reported reduced repair costs.

System Challenges

Iowa and Missouri DOTs also identified challenges with using high-tension cable barrier as guardrail, including the cost of concrete anchors, adequate deflection area and installations along slopes. The New York State DOT respondent noted that the agency anticipates similar challenges with this application once installed.

Recommendations for Implementation

Because these agencies either have limited experience or lack direct experience with this application, the respondents from Missouri and New York State DOTs noted that it would be difficult to provide implementation recommendations. The respondent from Iowa DOT noted that “[a]s with all systems, there is a right time and right place for cable installations on the right side of the road.” He recommended documenting these aspects of an installation for designers to use in future installations.

Nonusers of High-Tension Cable as Guardrail

Agencies Considering High-Tension Cable Use as Guardrail

Two agencies—Connecticut and Wisconsin DOTs—currently do not use high-tension cable barrier as guardrail on the right shoulder of the road, but both agencies are considering this application. While Connecticut DOT does not have plans to use high-tension cable as guardrail, the agency is not averse to using it in future interstate applications. Wisconsin DOT has implemented a trial application of this barrier system on a local road where snow drifting is a problem. The respondent noted three issues with installing cable barrier on the right side of the road:

- Inadequate space for the working width of cable barriers.
- Grading.
- Impacts to cable barrier terminals. (Impacts to these terminals appear to be more severe than impacts to beam guard end terminals.)

In general, if the working width for cable barrier and the grading are adequate, the agency would prefer to use cable barrier.

High-Tension Cable Use in Median Applications Only

Transportation agency respondents from nine states—Arizona, Arkansas, Indiana, Kentucky, Louisiana, Michigan, Nevada, New Mexico and Pennsylvania—reported that their agencies have never used high-tension cable barrier as guardrail on the right shoulder of the road and are not considering using the barrier in this application.

Transportation agency respondents from Arkansas, Louisiana, Michigan, Nevada and Pennsylvania noted that their agencies only use high-tension cable barrier systems in the median to reduce the frequency and severity of cross-median crashes. Respondents provided a range of reasons for limiting the use of cable barriers to this application, including cost (Nevada and New Mexico); deflection issues (Arkansas, Louisiana, Nevada, New Mexico and Pennsylvania); loss of tension (Michigan); and terrain (Indiana, Louisiana and Pennsylvania).

Survey of Barrier Vendors

An email survey was distributed to cable barrier vendors and crash testing facilities to inquire about the high-tension cable barrier products that these organizations manufactured or tested. Two vendors responded to the survey: Brifen USA, Inc. and Trinity Highway Products, LLC. None of the crash testing facilities responded to the survey.

Project Descriptions

Brifen USA briefly described the Interstate 15 project in Caltrans District 11 where Wire Rope Safety Fence was installed. According to the vendor, this system complies with NCHRP 350 Test Level 4 crash testing requirements and uses steel posts, anchors and four ropes with a Natina finish field. The fencing is installed at a 10-foot post spacing.

Trinity Highway Products provided general information about CASS, the company's high-tension cable barrier system, which has been used on both the right and left side of the road globally. While most states and Canadian provinces have used the system primarily on the left side of the road and in median applications, the following states have used the system on both the right and left side of the road: Arizona, Louisiana, North Carolina, North Dakota, South Dakota and Texas. The company does not provide specific details about CASS projects and installations, and the respondent recommended contacting a state's design/standards engineer for specific project information.

Crash Testing

The Brifen USA respondent noted that Manual for Assessing Safety Hardware (MASH) 2016 testing criteria for wire rope systems are much more rigorous than NCHRP Report 350 testing requirements. He added that while most systems are installed in medians, the tests replicate many roadside applications. The Trinity Highway Products respondent reported that CASS has been tested to NCHRP Report 350 and MASH, 1st edition, specifications in both Test Level 3

and Test Level 4 configurations. These systems are eligible for Federal Highway Administration funding as a flexible longitudinal barrier for right- or left-side roadway installations.

Multimodal Facility Applications

Brifen Wire Rope Safety Fence O-Post with Flared-End Wire Rope Gating Terminals has been used in Oklahoma City, Oklahoma, to separate bicycle facilities. The project was completed under Oklahoma City's MAPS 3 program, a capital improvements program, and placed cable barrier on the right shoulder of a four-lane undivided surface road to shield a newly installed bike path. The City of Oklahoma City designed the project and specified a MASH system.

Design Considerations

Trinity Highway Products' instructions for installing cable barrier as guardrail include offset from hinge break points, allowable steepness of slope behind cable barrier and preferred offsets. The company's assembly manuals provide guidance about where to install the barrier system with respect to slopes that are suitable for CASS.

The Brifen USA respondent reported that state transportation agencies design projects, and the projects typically follow guardrail design policies for offsets from hinge point and slope placement. No testing has been conducted to separately evaluate specific placement or slope conditions beyond NCHRP 350 MASH 2016 tests. The company has employed finite element analysis to simulate and evaluate curbs in front of the system.

Restrictions on Use

Brifen USA cable barrier systems have no restrictions that would prevent them from use as guardrail if the field conditions (such as approach slope or dike placement) were the same as crash testing criteria.

Trinity Highway Products' CASS system does have restrictions. CASS was tested according to NCHRP Report 350 and/or MASH, 1st edition, specifications as a Test Level 3 or Test Level 4 flexible longitudinal barrier in a condition where no obstructions were encountered during testing. In general, the topography was smooth and free of materials that could have affected the stability of the vehicle. The respondent added that all CASS manuals include the following requirement within the details:

The CASS System shall be placed on shoulders or medians without obstructions, depressions, etc., that may significantly affect the stability of an errant vehicle.

In addition, the General Notes of all CASS system drawings include the following requirement:

CASS shall be installed on shoulders or medians with slopes of 6:1 (or 4:1, if a 4:1 system) or flatter without obstructions, depressions, etc., that may significantly affect the stability of an errant vehicle. Grading of site and/or appropriate fill materials may be required. The designer/installer shall "flatten" or "round" various topographical inconsistencies that could interfere with the ability of the installer to consistently maintain the design height (in relation to the terrain) of the cables.

Related Research and Resources

Supplementing the survey results are documents sourced through a limited literature search of domestic and international research. These resources include an anticipated NCHRP project that will focus on developing guidance for nonstandard roadside hardware installations. This project has been tentatively selected and a project statement (request for proposals) is

expected in August 2020. Also included is NCHRP Report 711, which provides guidance for the selection, use and maintenance of cable barrier systems, and AASHTO's 2011 Roadside Design Guide, which includes a discussion of the structural and safety characteristics of high-tension cable barriers, selection guidelines, placement recommendations and system upgrades.

Publications highlighting state research and practices include guidelines, specifications and policies for using high-tension cable barrier systems in roadside applications. Resources provide requirements for using vendor products, including those described in this Preliminary Investigation. Citations from the Roadside Safety Pooled Fund's MASH implementation database describe three high-tension cable barrier systems: Brifen Wire Rope Safety Fence O-Post, CASS S3 MASH and CASS S3 on 4H:1V.

A sampling of international resources include reports that address using wire rope barriers on the roadside and on pedestrian and cyclist paths in Australia, safety evaluations of cable barrier installations on rural highways in British Columbia, and a comparison of roadside and median barrier systems in Alberta. Cable barrier system information from additional vendors and manufacturers is also presented.

Gaps in Findings

The survey of state DOTs received a limited response, with only two respondents providing information about the use of high-tension cable barriers as guardrail in their states. Information from vendors about specific projects that used their products was also limited, and none of the crash testing facilities responded to the survey. Gathering information from additional state transportation agencies, including agencies in states that reportedly use Trinity Highway Products, could provide additional material to inform Caltrans' evaluation of high-tension cable barrier as guardrail.

Next Steps

Moving forward, Caltrans could consider:

- Following up with the respondents from Iowa and Missouri DOTs to learn more about their use of high-tension cable barrier as guardrail.
- Engaging with New York State DOT, which anticipates installing cable barrier as guardrail by the end of this construction season, to monitor the performance of this system and the agency's experience using it.
- Reviewing the plans, specifications and other guidance provided by survey respondents and sourced through the limited literature search for relevance to Caltrans' needs.
- Reaching out to state design/standards engineers in Arizona, Louisiana, North Carolina, North Dakota, South Dakota and Texas for information about their experience using Trinity Highway Products' CASS cable barrier system. These states reportedly have used cable barrier on both the right and left side of the road.
- Reviewing the literature about Brifen USA and Trinity Highway Products cable barrier systems and other cable barrier vendors discussed in this Preliminary Investigation for applications that would be useful to Caltrans.
- Seeking information about this application from other state transportation agencies, cable barrier system vendors and crash testing facilities.

Detailed Findings

Background

Cable barrier systems are traditionally used as median barriers, but their widespread use as guardrail is largely unknown. California Department of Transportation (Caltrans) District 11 has installed high-tension cable barrier on a section of Interstate 15; the barrier has performed well and has been easy to repair. When this barrier is impacted, repair time is about 15 to 20 minutes compared to an hour or more to repair the same length of guardrail. These safety systems are also cost-effective, oftentimes costing up to 50% less than traditional three-beam barrier systems. Given the potential to significantly reduce the time that repair crews are exposed to traffic, and that high-tension cable barrier can be installed in more conditions than traditional three-beam barriers (for example, locations with steep slopes), Caltrans is considering the use of high-tension cable barrier in some guardrail applications.

Caltrans is seeking information from other state departments of transportation (DOTs) about their use of high-tension cable barrier as guardrail on the right shoulder of the road. Specifically, Caltrans is interested in best practices, standards and specifications to use in updating its policies, standards and specifications for using high-tension cable barrier in this application. In addition to querying state DOTs, Caltrans is interested in learning about high-tension cable barrier practices and standards from manufacturers and crash testing facilities.

To assist Caltrans in this information-gathering effort, CTC & Associates surveyed three groups:

- **State DOTs.** Agencies were contacted about their knowledge of and experience with using high-tension cable barrier as guardrail. Fourteen state DOTs responded to the survey.
- **Barrier vendors.** Three vendors were contacted about the cable barrier products they manufacture:
 - Brifen USA, Inc.
 - Gregory Highway Products.
 - Trinity Highway Products, LLC.

Brifen USA and Trinity Highway Products responded to the survey.

- **Crash testing facilities.** Three organizations were contacted about their experience testing high-tension cable barrier in this application:
 - KARCO–San Bernardino.
 - Midwest Roadside Safety Facility.
 - Texas Transportation Institute.

None of the crash testing facilities responded to the survey.

A literature search supplemented the results of these surveys. The search examined publicly available national and international information sources that describe the use of high-tension cable barrier as guardrail. Findings from these efforts are presented in this Preliminary Investigation in three areas:

- Survey of state practice.
- Survey of barrier vendors.
- Related research and resources.

Survey of State Practice

An online survey was distributed to members of the American Association of State Highway and Transportation Officials (AASHTO) Committee on Traffic Engineering. Survey questions are provided in [Appendix A](#). The full text of survey responses is presented in a supplement to this report.

Summary of Survey Results

Fourteen state DOTs responded to the survey:

- Arizona.
- Arkansas.
- Connecticut.
- Indiana.
- Iowa.
- Kentucky.
- Louisiana.
- Michigan.
- Missouri.
- Nevada.
- New Mexico.
- New York.
- Pennsylvania.
- Wisconsin.

Only two agencies (Iowa and Missouri DOTs) have used high-tension cable barrier as guardrail on the right shoulder of the road. One agency (New York State DOT) has approved the use of cable barrier in this application but has not yet installed the system. Two agencies (Connecticut and Wisconsin DOTs) have not used the system in this application but are considering it. The remaining nine agencies have not used high-tension cable barrier in this application and are not considering its use.

Survey results are summarized below in the following topic areas:

- Users of high-tension cable as guardrail.
- Nonusers of high-tension cable as guardrail.

Users of High-Tension Cable as Guardrail

Three agencies—Iowa, Missouri and New York State DOTs—described their use or intended use of high-tension cable barrier as guardrail on the right shoulder of the road.

Note: Information below from the New York State DOT respondent is aspirational. The agency allows the use of high-tension cable barrier on roadsides but has only recently approved a version of the Brifen USA cable fence as the standard for roadside use. New York State DOT anticipates an installation of high-tension cable on a roadside by the end of this construction season.

The agency's medium-tension generic cable system, which it had been using for median and roadside applications, has not received Manual for Assessing Safety Hardware (MASH) approval, but testing is underway. Other proprietary alternatives are expected to be fully approved within a year, and the agency expects its medium-tension generic cable to pass MASH testing.

The New York State DOT respondent reported that the agency has not used high-tension cable barrier as guardrail on the right shoulder of the road in a pilot or trial application. Iowa and Missouri DOTs did not provide information about a trial application.

Survey results from these agencies are summarized below in the following topic areas:

- System description.
- System implementation and maintenance.
- System assessment.

System Description

Iowa and New York State DOTs use or have approved the use of Brifen USA cable barrier systems for a roadside application. Iowa DOT also uses cable barrier systems produced by Gibraltar and Trinity Highway Products (the CASS cable barrier system). (See **Related Resources**, page 23, and **Related Research and Resources**, page 25, for more information about these products and manufacturers.)

The respondent from Iowa DOT noted that the systems used were complete systems, that is, they include tie-downs, end protection and other elements necessary for installation. The New York State DOT respondent, however, reported that the system approved for use in the state was not complete as the general contractor is required to supply the end anchor blocks and install the system. The Missouri DOT respondent did not provide the name of the barrier or vendor used in the state, but reported that the barrier was a complete system.

None of the respondents provided information about a project plan set that was used for a specific barrier installation.

Table 1 summarizes survey responses.

Table 1. High-Tension Cable Barrier Systems: Description

State	System	Vendor	Complete System
Iowa	High-tension cable guardrail	<ul style="list-style-type: none"> • Brifen USA • Gibraltar • Trinity Highway Products (CASS) 	Yes
Missouri	Unknown	Unknown	Yes
New York*	Brifen USA cable fence	Brifen USA	No

* New York State DOT only recently approved the use of a Brifen USA cable system for this application. The first installation of high-tension cable on a roadside is expected by the end of this construction season.

Plans, Specifications and Other Guidance

The publications cited below include standard plans, specifications and other guidance for selecting, installing and maintaining high-tension cable barrier systems as guardrail on the right shoulder of the road. These resources were provided by survey respondents or sourced through a limited search.

Iowa

Section 2505, Guardrail Construction and Removal, Standard Specifications for Highway and Bridge Construction, Iowa Department of Transportation, April 2020.

<https://www.iowadot.gov/erl/current/GS/content/2505.htm>

Section 2505.03B describes the permissible products and installation practices associated with high-tension cable guardrail.

Section 4155, Guardrail, Standard Specifications for Highway and Bridge Construction, Iowa Department of Transportation, April 2020.

<https://www.iowadot.gov/erl/current/GS/content/4155.htm>

This specification identifies the guardrail materials the agency requires for the type of guardrail specified, including cable rail.

Section 8B-5, Choosing a Barrier, Chapter 8, Roadside Safety, Design Manual, Iowa Department of Transportation, Revised February 2020.

<https://iowadot.gov/design/dmanual/08b-05.pdf>

From the publication: Once the decision has been made to shield an obstacle, the next step is to select an appropriate barrier system. This section discusses factors that influence barrier choice. The systems discussed in this section include permanent concrete barrier rail, steel beam guardrail and high tension cable guardrail.

....

High tension cable guardrail is the Department's preferred traffic barrier. It has passed crash tests with a wide range of vehicles, is more aesthetically pleasing than concrete barrier or steel beam guardrail, and drifts snow less than other barriers. When faced with an obstacle that must be shielded, consider using high tension cable guardrail first. A permanent concrete barrier rail is usually chosen when deflection of the barrier is unacceptable, in areas with high truck traffic, or when penetration of the barrier by some vehicles must be avoided.

In restricted areas where a long barrier installation is not feasible, a crash cushion may be an acceptable option. Refer to Section 8C-5 for details.

Section 8C-3, High Tension Cable Guardrail, Chapter 8, Roadside Safety, Design Manual, Iowa Department of Transportation, Revised February 2020.

<https://iowadot.gov/design/dmanual/08c-03.pdf>

From the publication:

High tension cable guardrail is most often used to reduce cross-median crashes and is also the preferred method of shielding median bridge piers. It can also be used to protect other types of obstacles, as long as adequate distance is provided from the face of the obstacle to the installation line to account for deflection of the cable system.

The publication describes the design process for protecting roadside obstacles for one- and two-way traffic, end anchors, application on curves, and the connection between high-tension cable and steel beam guardrail.

High Tension Cable Guardrail, Standard Road Plan BA-351, Iowa Department of Transportation, October 2019.

<https://iowadot.gov/design/SRP/IndividualStandards/eba351.pdf>

This is the standard plan for installation of high-tension cable barrier for one- and two-way traffic and median obstacle protection.

High Tension Cable Guardrail, Materials Instructional Memorandum 455.01, Iowa Department of Transportation, October 2014.

<https://www.iowadot.gov/erl/urrent/IM/content/455.01.htm>

This memorandum provides links to other sources that identify the products and materials accepted for use in connection with high-tension cable barrier installations.

Steel Beam Guardrail Barrier Transition Section (MASH TL-3), Standard Road Plan BA-201, Iowa Department of Transportation, April 2017.

<https://iowadot.gov/design/SRP/IndividualStandards/eba201.pdf>

This plan shows a guardrail transition section.

Steel Beam Guardrail Flared End Terminal for Cable Connection, Standard Road Plan BA-206, Iowa Department of Transportation, October 2019.

<https://iowadot.gov/design/SRP/IndividualStandards/eba206.pdf>

This plan shows how to connect steel beam and cable guardrail.

Missouri

Plans for State Highway 5, Laclede County, Missouri Highways and Transportation Commission, July 2011.

See [Attachment A](#).

These plans show details of a project where guard cable was used as guardrail.

New York

MASH-Compliant Cable Barrier Systems—Design Guidance, Engineering Instruction 20-007, New York State Department of Transportation, March 2020.

https://www.dot.ny.gov/portal/pls/portal/mexis_app.pa_ei_eb_admin_app.show_pdf?id=13322

The survey respondent indicated that a revision to this design guidance had begun after reaching agreement on the use of a direct-driven post option that should make cable installations economically competitive with the agency's noncable options.

System Implementation and Maintenance

In addition to providing general information about their cable barrier systems, respondents provided details related to system implementation and maintenance, which is summarized in the following sections.

Implementation Considerations

The states participating in this survey that have experience using high-tension cable barrier as guardrail have used the barrier for approximately 10 years (Missouri) to approximately 15 years (Iowa).

The primary factors that determine when agencies use high-tension cable barrier as guardrail are allowable deflection (Iowa) and reduced visual impact (New York). The duration of the installation is the next factor considered by Iowa DOT; the respondent reported that for short-term installations, W-beam is less expensive because of the anchors needed for cable. Cost is also a consideration in New York; the respondent noted that historically, its generic cable system has been much less expensive. However, in future installations, the importance of lower costs is unclear.

Respondents also described criteria used to determine whether a high-tension cable barrier system is more appropriate than the traditional Midwest Guardrail System or concrete barrier for a specific application. Iowa DOT considers snow drifting and ease and cost of repair in these decisions while Missouri DOT examines sight distance issues on shared four-lane roads and considers limited use. The primary criteria in New York are related to deflection distance. Depending on the post spacing used, a clear area with a width of 11 feet must be present behind the rail (for 16-foot post spacing). The agency also does not allow slopes steeper than 1:3 as a drop-off within 8 feet of the rail, and considers the frequency of impacts. If a high frequency of impacts is anticipated, the agency urges the use of concrete as a more durable system. Table 2 summarizes survey responses.

Table 2. Cable Barrier System Implementation Considerations

Topic	Iowa	Missouri	New York*
System/ Vendor	High-tension cable barrier <i>Brifen USA, Gibraltar, Trinity Highway Products</i>	Unknown	Cable fence <i>Brifen USA</i>
Length of Use	15+ years	Approx. 10 years (approx. 2011)	N/A*
Criteria for Use	<ul style="list-style-type: none"> • Allowable deflection (primary factor). • Length of installation. • Snow drifting. 	<ul style="list-style-type: none"> • Reduced sight distance. • Narrow shoulders. 	<ul style="list-style-type: none"> • Aesthetics: Reduced visual impact (primary factor). • Cost.
Selection Criteria	<ul style="list-style-type: none"> • Snow drifting. • Ease of repair. • Cost of repair. (see Supporting Documents below)	<ul style="list-style-type: none"> • Sight distance issues on shared four-lane roads. • Limited use. 	<ul style="list-style-type: none"> • Deflection distance. • Clear area with a width of 11 feet behind the rail (for 16-foot post spacing). • Slopes not steeper than 1:3 as a drop-off within 8 feet of the rail. • Frequency of impacts.

* N/A = not available. New York State DOT only recently approved the use of a Brifen USA cable system for this application. The first installation of high-tension cable on a roadside is expected by the end of this construction season. *Note:* The agency began trial applications of this system in medians more than 10 years ago.

Installation Specifications

Agency respondents also provided installation specifications for high-tension cable barrier systems, including the minimum length of the barrier on the right side, minimum deflection area, post spacing and the space needed to install the barrier. *Note:* Installation specifications in New York have not yet been finalized. The respondent provided estimates, adding that designers determine the specifications. Table 3 summarizes survey responses.

Table 3. Cable Barrier System Implementation Specifications

Topic	Iowa	Missouri	New York*
System/ Vendor	High-tension cable barrier <i>Brifen USA, Gibraltar, CASS</i>	Unknown	Cable fence <i>Brifen USA</i>
Minimum Length of Right Side Barrier	60 to 100 feet (minimum length for installations consisting only of anchor sections)	No minimum	500 feet (to spread the high cost of large anchor blocks over a long distance run)
Minimum Radius	Manufacturer's recommendation	Manufacturer's recommendation	Approx. 500 feet (since posts cease to be vertical on tight radii)
Minimum Deflection Area	10 feet minimum (but 10 feet is preferred)	8 feet to 12 feet	<ul style="list-style-type: none"> • 11 feet for 16-foot post spacing. • 8 feet for 8-foot post spacing.
Post Spacing	Typically 10 feet: <ul style="list-style-type: none"> • May change to 5 feet to reduce deflection. • May decrease post spacing in areas with tight curve radius. 	Manufacturer's recommendation	N/R
Required Installation Space	Determined by contractor's operations.	Manufacturer's recommendation	N/R
Section Cross Slope	Preferred: 6:1, but 4:1 is acceptable.	Preferred: 6:1, but 4:1 is acceptable.	N/R
Slope Hinge Point/ Slope Breakpoint	Preferred: 2 feet behind the post; 1-foot minimum (manufacturer's recommendations from several years ago).	Varies by location for right shoulder installations.	N/R
Attaching to a Structure	Transition using an approach guardrail transition (AGT) and end terminal (see Supporting Documents below).	Varies by structure.	No
Speed of Facility	Typically 55 mph to 70 mph	45 mph to 65 mph	Any operating speed.

N/R No response.

* Estimates only. Installation specifications in New York have not yet been finalized.

Maintenance Practices

The Iowa and New York State DOT respondents described their agencies' experience with maintaining these cable barrier systems. In Iowa, the primary maintenance issue is removing

posts in winter. According to the respondent, Iowa uses sockets instead of driven posts, and in winter, the posts tend to freeze in the sockets. Crews typically must heat the posts to melt the ice before removing the posts. Another issue in Iowa is ensuring cables are properly tensioned. The respondent noted that time is limited for maintenance crews to check cable tensions.

Although New York State DOT does not have experience maintaining these cable barrier systems, it previously used the Brifen USA system with posts placed in concrete sockets. After maintenance crews noted a few instances of severe corrosion due to briny water accumulating in the sockets, the agency banned the use of socketed posts.

Supporting Documents

Iowa

Section 8B-5, Choosing a Barrier, Chapter 8, Roadside Safety, Design Manual, Iowa Department of Transportation, Revised February 2020.

<https://iowadot.gov/design/dmanual/08b-05.pdf>

Factors that influence barrier choice are discussed in this section, including deflection of the system when impacted, system cost and the types of vehicles the system is expected to contain and redirect.

Steel Beam Guardrail Flared End Terminal for Cable Connection, Standard Road Plan BA-206, Iowa Department of Transportation, October 2019.

<https://iowadot.gov/design/SRP/IndividualStandards/eba206.pdf>

This plan shows how to connect steel beam and cable guardrail.

Steel Beam Guardrail Barrier Transition Section (MASH TL-3), Standard Road Plan BA-201, Iowa Department of Transportation, April 2017.

<https://iowadot.gov/design/SRP/IndividualStandards/eba201.pdf>

This plan shows a guardrail transition section.

System Assessment

Safety Implications

Respondents described the safety implications for using high-tension cable barrier as guardrail. The Iowa DOT respondent noted the decreased risk of severe injuries because cable barrier provides a “softer hit” than W-beam or concrete barriers. Also, repairs are quicker than with W-beam barriers, which reduces maintenance crews’ exposure to traffic. In Missouri, these systems “work well” in areas where sight distance is a challenge, however, the respondent noted that there are concerns about vehicles traveling under the right shoulder cables due to deflections and slopes. Although New York State DOT does not have experience with using high-tension cable barrier as guardrail, the respondent noted that no negative safety impacts were experienced in trial installations of high-tension cable in medians.

System Performance

Both Iowa and Missouri DOTs use crash data to evaluate the performance of the barrier system. Iowa DOT also uses the cost of maintenance data in these evaluations. New York State DOT does not have a rigorous program for assessing in-service performance. Instead, it collects periodic reports of performance issues from maintenance crews and “usually attempt[s] to investigate adverse outcomes” to determine the circumstances. In the future, the agency will develop a “picture of safety performance” that will include information from field crews about maintenance efforts and costs.

System Benefits

Improved safety conditions and reduced costs were among the benefits that respondents noted when using high-tension cable barrier as guardrail. The Iowa DOT respondent noted that repairs are easier with cable barrier systems, which reduces the time maintenance crews are exposed to traffic. Sight distances are also improved, according to the Missouri DOT respondent. The New York DOT respondent added that when compared to medium-tension generic cable systems, the cables in high-tension cable barrier systems maintain a height that enables the system to still engage an errant vehicle after an impact. When the agency's generic medium-tension system is impacted, the cables often become slack and sag, creating a system that cannot reliably capture a second errant vehicle until the cable is repaired. Table 4 summarizes survey responses.

Table 4. Benefits of Using High-Tension Cable Barrier as Guardrail

Benefit	State	Description
Ease of Repair	Iowa	N/R
Improved Safety Conditions	Iowa, Missouri, New York*	<i>Iowa.</i> Crews are exposed to traffic for shorter periods. <i>Missouri.</i> Improved sight distance. <i>New York.</i> After an impact, cables remain at a height that enables the barrier system to still engage an errant vehicle after a second impact.
Reduced Repair Costs	Iowa, New York*	<i>Iowa.</i> Cost of repair tends to be less than with other systems since repairs typically consist of replacing posts only.
Other	Missouri, New York*	<i>Missouri.</i> Snowplowing. <i>New York.</i> Reduced visual impact.

N/R No response.

* Anticipated benefits. New York State DOT has not yet installed its first application of high-tension cable barrier as guardrail.

System Challenges

The respondents from Iowa and Missouri DOTs also identified challenges with using high-tension cable barrier as guardrail. These challenges include component cost, deflection area and installations along slopes. The New York State DOT respondent noted that the agency anticipates similar challenges with this application once installed. Table 5 summarizes survey responses.

Table 5. Challenges With Using High-Tension Cable Barrier as Guardrail

Challenge	State	Description
Costs	Iowa, New York*	<i>Iowa.</i> Underground concrete anchors are expensive.
Deflection Area	Iowa, New York*	<i>Iowa.</i> Locations with 10 feet or more of allowable deflection (required by systems). <i>New York.</i> Locations with adequate clear deflection area.

Challenge	State	Description
Installation Location	Missouri, New York*	<p><i>Missouri.</i> Steep side slopes in the state limit installation.</p> <p><i>New York:</i></p> <ul style="list-style-type: none"> • Locations of a sufficient length can be installed to offset the high installed cost of the large concrete anchor blocks. • Locations that do not have steep drop-offs close behind the rail.
Rates of Curvatures	New York*	<i>New York.</i> Locations with rates of curvature that are low enough, which may limit use on secondary highways.
Other	Iowa, New York*	<p><i>Iowa.</i> Underground concrete anchors are large.</p> <p><i>New York.</i> More contractor experience with these systems to eliminate an “uncertainty premium” in bids.</p>

* Anticipated challenges. New York State DOT has not yet installed its first application of high-tension cable barrier as guardrail.

Recommendations for Implementation

Because these agencies either have limited experience or lack direct experience with this application, the respondents from Missouri and New York State DOTs noted that it would be difficult to provide implementation recommendations. The respondent from Iowa DOT noted that “[a]s with all systems, there is a right time and right place for cable installations on the right side of the road.” He recommended documenting these aspects of an installation for designers to use in future installations.

Nonusers of High-Tension Cable as Guardrail

Agencies Considering High-Tension Cable Use as Guardrail

Respondents from two agencies—Connecticut and Wisconsin DOTs—reported that their agencies currently do not use high-tension cable barrier as guardrail on the right shoulder of the road as a general practice, but both agencies are considering this application.

The Connecticut DOT respondent noted that the agency does not have plans to use high-tension cable as guiderail, but the agency “is not averse” to use in future interstate applications.

Wisconsin DOT has implemented a trial application where high-tension cable barrier was used as guardrail on the right shoulder of a local road where snow drifting was a problem. The respondent noted three issues with installing cable barrier on the right side of the road:

- Inadequate space for the working width of cable barriers.
- Grading.
- Impacts to cable barrier terminals. (Impacts to these terminals appear to be more severe than impacts to beam guard end terminals.)

In general, the respondent added, if the working width for cable barrier and the grading are available, the agency would prefer to use cable barrier.

High-Tension Cable Use in Median Applications Only

Transportation agency respondents from nine states—Arizona, Arkansas, Indiana, Kentucky, Louisiana, Michigan, Nevada, New Mexico and Pennsylvania—reported that their agencies have never used high-tension cable barrier as guardrail on the right shoulder of the road and are not considering using the barrier in this application.

Transportation agency respondents from Arkansas, Michigan, Nevada and Pennsylvania DOTs and from Louisiana Department of Transportation and Development noted that their agencies only use high-tension cable barrier systems in the median to reduce the frequency and severity of cross-median crashes. Respondents provided a range of reasons for limiting the use of cable barriers to this application. The Michigan DOT respondent noted that an entire run of high-tension cable barrier may lose tension and become inoperative in certain cases (for example, when cables are cut or an impacted terminal results in the release of the cables from the end terminal foundation). Therefore, it is not typically used for shielding fixed objects or other fixed hazards such as steep slopes, which is typically found on the right side of the road.

Nevada DOT, which also uses cable rail exclusively in the median, does not have a standard construction plan; instead it relies on the manufacturer’s installation instructions. (*Note:* Nevada DOT uses Brifen USA and Trinity Highway Products cable barrier systems.) In Pennsylvania, there are very few applications for high-tension cable barrier on the right side of the road because of large deflections and required slopes (according to National Cooperative Highway Research Program (NCHRP) Report 711; see **Related Research and Resources**, page 26). However, the respondent added that if cable systems are crash-tested with a hinge point 2 feet behind the cable, there would be many applications in the state. Table 6 summarizes survey responses.

Table 6. Factors Limiting the Use of High-Tension Cable Barriers as Guardrail

Topic	State	Description
Cost	Nevada, New Mexico	<p><i>Nevada:</i></p> <ul style="list-style-type: none"> • Cost of tightened post spacing is similar to guardrail. • Flattening road shoulders for cable rail is expensive. If slope is extended, rail and maintenance costs increase. <p><i>New Mexico.</i> More posts are needed to lower the deflection, which increases the cost.</p>
Deflection/Post Spacing Issues	Arkansas, Louisiana, Nevada, New Mexico, Pennsylvania	<p><i>Arkansas.</i> Because the deflection of high-tension cable far exceeds that of guardrail, high-tension cable is not a preferred barrier treatment within the roadway clear zone.</p> <p><i>Louisiana.</i> Typically, obstacles on the right side of the road are closer, and the deflection associated with cable barrier is a concern.</p> <p><i>Nevada.</i> Deflection is too great.</p> <p><i>New Mexico:</i></p> <ul style="list-style-type: none"> • Deflection in post and cable is about 8 feet to 12 feet based on post spacing. • The “nuisance hit” from post and cable can cause more severe damage. <p><i>Pennsylvania.</i> Large deflections.</p>

Topic	State	Description
Loss of Tension	Michigan	An entire length of high-tension cable barrier may lose tension and become inoperative (for example, when cables are cut or impact to the cable barrier terminal results in the release of the cables from the end terminal foundation). Therefore, cable barrier is not typically used for shielding fixed objects or other fixed hazards (such as steep slopes), which is typically found on the right side of the road.
Median Crash Protection Only	Arizona, Arkansas, Louisiana, Michigan, Nevada, Pennsylvania	<i>Arizona.</i> Cable barrier is used for cross-median crash protection at many locations. <i>Arkansas, Louisiana, Michigan, Nevada and Pennsylvania.</i> Only use cable barrier in the median to prevent crossover accidents.
Special Applications Only	Arizona	According to Arizona DOT guidance, cable barrier is used on the outside of the roadway only for special applications.
Terrain	Indiana, Louisiana, Pennsylvania	<i>Indiana.</i> Since the topography in Indiana is mostly flat, the clear zone can generally be met. <i>Louisiana.</i> A large number of roadways are on fill sections with steep outside cross slopes (3:1 or steeper), and cable barriers are not tested for these conditions. The agency would have to regrade the slopes in these areas, which would affect drainage, right of way and other factors. <i>Pennsylvania.</i> The state's terrain does not allow for using cable barrier on the right side of the road.
Other	Indiana	W-beam guardrail has been used successfully on the right side of the road, both from a performance and maintenance perspective.

Survey of Barrier Vendors

An email survey was distributed to the following vendors to inquire about the high-tension cable barrier products they manufactured:

- Brifen USA.
- Gregory Highway Products.
- Trinity Highway Products.

The survey questions are provided in [Appendix A](#). The full text of survey responses is presented in a supplement to this report.

Summary of Survey Results

Two vendors responded to the survey: Brifen USA and Trinity Highway Products. Information provided by these vendors is summarized below in the following topic areas:

- Project descriptions.
- Crash testing.
- Multimodal facility applications.
- Design considerations.
- Restrictions on use.

Supplementary resources are provided following these topics and include guidance and product information provided by respondents or sourced through a limited literature search.

Project Descriptions

Both respondents reported that their companies manufacture cable barrier that has been used in place of guardrail on the right or left side of the road (primarily applications with longer runs). Details about these applications are summarized below.

Brifen USA

Product	Wire Rope Safety Fence.
Project Description	Used in roadside and median applications, the Wire Rope Safety Fence complies with NCHRP 350 Test Level 4 crash testing requirements. The system uses steel posts, anchors and four ropes with a Natina finish field; fencing is installed at 10-foot post spacing.
Location	Interstate 15 in San Diego County
Project Owner	Caltrans District 11
Contact Information	Troy Bucko, Division of Traffic Operations, Caltrans, 916-654-5975

Trinity Highway Products

Instead of describing specific projects, the respondent from Trinity Highway Products provided general information about CASS, the company's high-tension cable barrier system. He noted that as a publicly traded company, "we do not comment on or provide specific details as to where CASS is installed, nor provide project information." The respondent recommended contacting a state's design/standards engineer for specific project information (see **Locations** below).

Project Description CASS has been installed globally on the right or left side of the roadway. However, most U.S. states and Canadian provinces have used it primarily in left-sided roadside and median applications.

Locations States that have used it on both the right and left side of the road: Arizona, Louisiana, North Carolina, North Dakota, South Dakota and Texas.

Crash Testing

Both vendor representatives also commented on testing related to their barrier systems. The Brifen USA respondent noted that MASH 2016 testing criteria for wire rope systems are much more rigorous than NCHRP Report 350 testing requirements. He added that while most systems are installed in medians, the tests replicate many roadside applications. The Trinity Highway Products respondent reported that CASS has been tested to NCHRP Report 350 and MASH, 1st edition, specifications in both Test Level 3 and Test Level 4 configurations. These systems are eligible for Federal Highway Administration (FHWA) funding as a flexible longitudinal barrier for right- or left-side roadway installations.

Multimodal Facility Applications

Brifen Wire Rope Safety Fence O-Post (MASH Test Level 3) with Flared-End Wire Rope Gating Terminals (WRGT-FL) (NCHRP 350 Test Level 3) has been used in Oklahoma City, Oklahoma, to separate bicycle facilities. The project was completed under Oklahoma City MAPS 3 (M-3-T002A), "a capital improvements program in Oklahoma City that uses a one-cent, limited-term sales tax to pay for debt-free projects that improve [Oklahoma residents'] quality of life." The project placed cable barrier on the right shoulder (grassed area with mountable curb) of a four-lane undivided surface road to shield a newly installed bike path. The City of Oklahoma City designed the project and specified a MASH system. (Brifen USA was not consulted on the design.)

Design Considerations

The respondent from Trinity Highway Products reported that the company has instructions for installing cable barrier as guardrail that include offset from hinge break points, allowable steepness of slope behind cable barrier and preferred offsets. The company's assembly manuals provide guidance about where to install the barrier system with respect to slopes that are suitable for CASS (see **Related Resources**, page 23).

The Brifen USA respondent reported that state transportation agencies design projects, and the projects typically follow guardrail design policies for offsets from hinge point and slope placement. No testing has been conducted to separately evaluate specific placement or slope conditions beyond NCHRP 350 MASH 2016 tests. The company has employed finite element analysis to simulate and evaluate curbs in front of the system.

Restrictions on Use

There are no restrictions with Brifen USA products that would prevent its cable barrier system from being used as guardrail if the field conditions (such as approach slope or dike placement) were the same as crash testing criteria.

Trinity Highway Products' CASS system does have restrictions. The respondent noted that CASS was tested according to NCHRP Report 350 and/or MASH, 1st edition, specifications as a Test Level 3 or Test Level 4 flexible longitudinal barrier in a condition where no obstructions were encountered during testing. In general, the topography was smooth and free of materials that could have affected the stability of the vehicle. The respondent added that all CASS manuals include the following requirement within the details:

The CASS System shall be placed on shoulders or medians without obstructions, depressions, etc., that may significantly affect the stability of an errant vehicle.

In addition, the General Notes (Note #3) of all CASS system drawings include the following requirement:

CASS shall be installed on shoulders or medians with slopes of 6:1 (or 4:1, if a 4:1 system) or flatter without obstructions, depressions, etc., that may significantly affect the stability of an errant vehicle. Grading of site and/or appropriate fill materials may be required. The designer/installer shall "flatten" or "round" various topographical inconsistencies that could interfere with the ability of the installer to consistently maintain the design height (in relation to the terrain) of the cables.

Related Resources

Brifen USA

Brifen Wire Rope Safety Fence, Brifen USA, Inc., 2015.

<http://www.brifenus.com/> (click on *Brifen WRSF* on the left navigation bar)

From the web site: Brifen Wire Rope Safety Fence (WRSF) is a high-tension median or roadside cable (wire rope) barrier system widely used around the world and in many U.S. states.

Brifen is available in several designs, all approved by the Federal Highway Administration (FHWA) as fully complying with NCHRP 350 TL-3 [and] TL-4 crash testing requirements. There are several types of end treatments also available, all of which meet FHWA compliance. These choices allow you to choose the system that best meets your specific needs.

Brifen's unique patented interweaving of the wire ropes are used to contain [and] redirect errant vehicles by preventing the vehicles from crossing the barrier or deflecting back into the traffic flow. Brifen WRSF is designed to absorb the energy of an impact, minimizing injury to passengers and damage to vehicles.

Trinity Highway Products

Cable Barriers, Trinity Highway Products, LLC, 2020.

<https://trinityhighway.com/product-category/barriers/cable-barriers/>

This web site provides information about four cable barrier products that are described for use in roadway medians:

CASS C-Channel Cable

<https://trinityhighway.com/product/cass-c-channel-cable/>

CASS S3 M10

<https://trinityhighway.com/product/cass-s3-m10/>

CASS TL-3

<https://trinityhighway.com/product/cass-tl3-barrier/>

CASS TL-4

<https://trinityhighway.com/product/cass-tl4/>

The NU-CABLE barrier system is also listed among the products Trinity Highway Products offers (see <https://trinityhighway.com/product/nu-cable-cable-barrier/>).

This vendor web page also includes information about HARP (High-Tension Anchor Release Post), which is a “single foundation anchor post terminal for use with Trinity Highway Products’ CASS, the Nucor Nu-Cable or other eligible high tension three[-] or four[-]wire rope cable barriers. It is comprised of a single reinforced concrete foundation, anchor post, knee brace, trigger braces and an innovative release post that works in conjunction with terminal line posts to provide an effective length of only 25' 6".” The site indicates that the HARP terminal is not yet available for purchase in the United States.

Related Resources:

Trinity Highway Products’ assembly manuals provide guidance that includes where to install a barrier system with respect to slopes that are suitable for CASS, offset from hinge break points, allowable steepness of slope behind cable barrier and preferred offsets:

CASS C-Channel Cable

CASS TL-3 (Utilizing C-Shaped Post) Assembly Manual, March 2007.

<https://trinityhighway.com/wp-content/uploads/2018/07/620289-CASS-Assembly-C-Shape-Post.pdf>

CASS S3 M10

CASS S3 4:1 Product Description Assembly Manual, August 2012.

<https://trinityhighway.com/wp-content/uploads/2018/07/620005-CASS-S3-Assembly-Product-Manual.pdf>

CASS TL-3

CASS TL-3 (Utilizing C-Shaped Post) Assembly Manual, March 2007.

<https://trinityhighway.com/wp-content/uploads/2018/07/620289-CASS-Assembly-C-Shape-Post.pdf>

CASS TL-4

CASS TL-3 & TL-4 Systems Assembly Manual, September 2012,

<https://trinityhighway.com/wp-content/uploads/2018/07/620038-CASS-TL3-TL4-Assembly-Manual.pdf>

Related Research and Resources

A literature search of recent publicly available resources identified publications and other resources that are organized into the following topic areas:

- Domestic research and resources:
 - National guidance.
 - State guidance and practices.
 - MASH-compliant cable systems for roadside applications.
- International resources.
- Manufacturers and vendors.

Domestic Research and Resources

National Guidance

Anticipated Research: NCHRP Project 15-79, Development of Guidance for Non-Standard Roadside Hardware Installations.

Project description at <https://apps.trb.org/cmsfeed/TRBNetProjectDisplay.asp?ProjectID=4970>

From the project description:

This project has been tentatively selected and a project statement (request for proposals) is expected in August 2020. The project statement will be available on this site. The problem statement below will be the starting point for a panel of experts to develop the project statement.

Roadside safety hardware is critical for reducing severe crashes on U.S. highways. Roadside safety hardware such as guardrail is crash tested to assess its crashworthiness. The current crash test criteria [are] contained in the AASHTO Manual for Assessing Safety Hardware (MASH), and all highway agencies are in the process of implementing MASH hardware on their systems.

While MASH tested hardware is available for and reduces the risk of severe crashes for the majority of applications, situations may be encountered where the approved roadside safety hardware does not fit the specific location. There is an urgent need to develop guidance for special site-specific designs to guide highway agencies on appropriate hardware use and implementation for these non-standard situations where standard practices of crash tested barrier cannot be used. In absence of this research, the frequency of severe injury and fatal crashes will likely escalate as more miles of roadway with non-standard roadside hardware installations continue to increase.

The objectives of this research are to:

1. Identify common nonstandard situations that are encountered by highway agencies.
2. Investigate potential crash tested solutions for these situations, if practical.
3. Identify best practices for situations where a crash tested solution may not be practical.
4. Develop guidelines that agencies can use for these situations.

NCHRP Report 711: Guidance for the Selection, Use and Maintenance of Cable Barrier Systems, Dhafer Marzougui, Umashankar Mahadevaiah, Fadi Tahan, Dao Cing Kan, Richard McGinnis and Richard Powers, 2012.

Publication available at <http://www.trb.org/Publications/Blurbs/167753.aspx>

From the foreword:

The research involved (1) efforts to determine agency experiences with cable barrier systems and their practices for design, selection and maintenance and (2) the identification of cable barrier system features available. Research focused on issues related to lateral placement, system length, anchorage requirements, transitions, and cost and maintenance. Computer simulation was used extensively to investigate key factors on performance with varied design parameters, installation configurations, road median geometrics, and impact conditions to isolate the effects of these parameters on barrier response. The research results coupled with the findings of previous studies provided the basis for developing the recommended guidelines.

Appendices A through D, not included in the PDF, are available at http://onlinepubs.trb.org/onlinepubs/nchrp/nchrp_rpt_711AppendicesA-D.pdf. They include:

- Appendix A: State DOT Survey Questionnaire.
- Appendix B: Available Cable Barrier Systems.
- Appendix C: Cable Barrier Lateral Placement Plots.
- Appendix D: Summary of Cable Barrier Full-Scale Crash Tests (FHWA Database).

Roadside Design Guide, 4th Edition, American Association of State Highway and Transportation Officials, 2011.

Publication description at <https://store.transportation.org/Item/CollectionDetail?ID=105>

Chapter 5 addresses roadside barriers, including the structural and safety characteristics of high-tension cable barriers generally and specific vendor products highlighted in this Preliminary Investigation. The chapter also addresses selection guidelines, placement recommendations and system upgrades.

State Guidance and Practices

Arizona

Arizona Highway Barrier Pocket Guide, Arizona Department of Transportation, November 2017.

<https://azdot.gov/sites/default/files/2019/04/arizona-highway-barrier-pocket-guide.pdf>

From page 10 of the guide, page 18 of the PDF:

Flexible Systems

High Tension Cable Barriers (HTC) are installed with the cables placed under significant tension (>5000 lbs., depending on manufacturer and temperature) and are typically used in median applications in Arizona, though roadside applications are appropriate. A major advantage of these HTC systems is that the cables remain near the proper height after most normal impacts (with damage limited to a few posts) so that the barrier is still effective. The HTC systems do experience rather large deflections (around 8 ft.) when compared to rigid and semi-rigid barriers; so this should be considered. Post spacing and type, and cable heights and attachment vary with the manufacturer.

The following systems are on ADOT Approved Product List (APL). These systems should be installed in accordance with the manufacturer's recommendations and the ADOT plan requirements. Cable barrier may be placed on 4:1 slopes with a maximum offset of 4 ft. from the shoulder.

The guide describes the following approved products:

- Brifen Wire Rope Safety Fence three- and four-wire systems (Brifen USA).
- CASS three-wire wire system (Trinity Highway Products).
- Gibraltar (Gibraltar Global).
- SAFENCE (Gregory Highway Products).

Colorado

CDOT Cable Barrier Guide, Colorado Department of Transportation, August 2017.

https://www.codot.gov/business/designsupport/bulletins_manuals/cable-barrier-guide/cable-barrier-guide

In addition to describing median placement, this guide addresses outside shoulder placement of cable barrier. *From page 5 of the guide:*

Cable barrier may be placed on the outside shoulder similar to other types of barrier. However due to deflection upon impact there should be a minimum 10 foot offset from fixed hazards. If the roadside slope is steep, the deflection of the cable barrier could allow a vehicle to penetrate the barrier, therefore it is desirable that the roadside slope be 4:1 or flatter for at least 10 feet behind the cable barrier.

Florida

Section 540, High Tension Cable Barrier System, Developmental Specification, Florida Department of Transportation, June 2018.

https://fdotwww.blob.core.windows.net/sitefinity/docs/default-source/content/programmanagement/otherdotlinks/developmental/files/dev540.pdf?sfvrsn=7b335210_0

This is the agency's specification for high-tension cable barrier systems.

Related Resources:

Index D540-00 High Tension Cable Barrier, Developmental Standard Plans, Florida Department of Transportation, August 2017.

https://fdotwww.blob.core.windows.net/sitefinity/docs/default-source/design/standardplans/dev/d540-001.pdf?sfvrsn=e0c0a81c_8

This resource provides the standard drawings for the agency's high-tension cable barrier system designs listed on the agency's Innovative Products List (IPL). The IPL, available at <https://fdotwp1.dot.state.fl.us/ApprovedProductList/ProductTypes/Index/679>, includes the following products:

- Brifen Wire Rope Safety Fence (Brifen USA).
- CASS TL-4 (Trinity Highway Products).
- Gibraltar (Gibraltar Global).
- NU-CABLE (Nucor Corporation).

Index D540-001 High Tension Cable Barrier, Developmental Standard Plans Instructions, Florida Department of Transportation, December 2017.

https://fdotwww.blob.core.windows.net/sitefinity/docs/default-source/design/standardplans/dev/dspi/dspi-d540-001.pdf?sfvrsn=9851c975_2

This specification provides details of the design assumptions and limitations, selection and placement guidelines, plan content requirements and payment associated with high-tension cable barrier. Also included are examples of data tables and a table for use in estimating quantities.

Minnesota

Design Guidelines for High-Tension Cable Barriers (HTCB), Technical Memorandum No. 15-08-TS-04, Engineering Services Division, Minnesota Department of Transportation, August 2015.

<http://dotapp7.dot.state.mn.us/edms/download?docId=1607915>

From the introduction: High-Tension Cable Barrier (HTCB) is a flexible barrier system used on a roadside or as a median barrier to reduce the severity of run-off-the-road crashes. These systems typically consist of three or four cables under high tension supported by breakaway steel line posts. The most common use of these systems has been in wide depressed medians.

HTCBs have greater deflection than W-beam, box-beam and concrete barriers, but where adequate deflection space is available, HTCB systems offer key advantages over these other systems. A primary advantage of HTCB is that it can be placed on slopes as steep as 1:4, meaning it can be placed further down an inslope, farther away from the traveling public, allowing errant vehicles more room to regain control and avoid impact. Another prime advantage of HTCB is that, upon impact, it exerts less G-force on the occupants of the errant vehicle than semi-rigid and rigid barriers, typically lessening injury potential. Additionally, these systems are able to effectively contain and redirect the vehicle. In some cases, after a less severe and isolated hit, the cables will maintain their approximate heights and may be able to contain and redirect subsequent errant vehicles that impact the same location prior to the system's repair.

Texas

Supplemental Specifications and Attachments: TxDOT—Purchasing, Texas Department of Transportation, 2020.

<http://www.dot.state.tx.us/gsd/purchasing/supps.htm> (scroll down to *Detailed Drawings*)

Links to standard plans and other drawings for proprietary cable barrier systems are provided on this web page.

Virginia

Guardrail Installation Training Manual (GRIT): Procedures and Practices for the Design, Installation, Replacement and Repair of Guardrail and Crash Terminals, Virginia Department of Transportation, August 2019.

http://www.virginiadot.org/business/resources/LocDes/GRIT_Manual.pdf

Chapter 5, Special Guardrail Treatments, which begins on page 50 of the PDF, includes a brief discussion of cable barriers:

D. High-Tension Cable Systems

V[irginia] DOT has installed approximately 50 miles of high-tension cable barrier on roadways in the Commonwealth. All high-tension cable guardrail systems are proprietary. All high-tension cable guardrail systems must meet the MASH TL-3 or TL-4 crash test

standards. The installed system must meet the VDOT's specifications for the project's application.

Washington

Chapter 1610, Traffic Barriers, Design Manual, Washington State Department of Transportation, December 2019.

<https://www.wsdot.wa.gov/publications/manuals/fulltext/M22-01/1610.pdf>

High-tension cable barrier systems are discussed in Section 1610.05, beginning on page 25 of the PDF. The requirements for nonmedian roadside applications are described on page 28 of the PDF:

1610.05(1)(b) Roadside Applications

For typical non-median roadside applications, the following apply:

- Install the cable barrier as far from the edge of traveled way as site constraints allow.
- Consider a minimum placement distance of 8 feet from the edge of traveled way to allow vehicles to use this area for refuge.
- Install cable barrier on slopes 6H:1V or flatter
- There are approved high-tension cable barrier systems that can be placed on slopes as steep as 4H:1V. The use of these systems requires special placement considerations, contact the HQ Design Office for guidance.
- Along horizontal curves, consider installing along the inside of the curve. Reduce post spacing per manufacturer's recommendations.
- Provide an obstruction free zone within the cable barrier system's lateral deflection distance (see 1610.05(2)).

Cable Barrier Design, Roadside Safety Design, Design Policy, Washington State Department of Transportation, undated.

<https://www.wsdot.wa.gov/Design/Policy/TrafficBarriers.htm>

Links to standard plans for cable barrier systems are provided on this web page.

MASH-Compliant Cable Systems for Roadside Applications

The Roadside Safety Pooled Fund maintains a MASH implementation database (available at <https://www.roadsidepooledfund.org/mash-implementation/search/>) of testing information for a wide range of roadside hardware, including high-tension cable barriers. A query of this database identified the following high-tension cable barrier systems:

- *Brifen Wire Rope Safety Fence O-Post, MASH*
<https://www.roadsidepooledfund.org/longitudinal-barrier/brifen-wire-rope-safety-fence-o-post/>
This product uses “[f]our wire ropes interwoven between O-shaped steel posts.” A report detailing test results is available at <https://www.roadsidepooledfund.org/wp-content/uploads/2017/01/B245-1.pdf>.
- *CASS S3 MASH*
<https://www.roadsidepooledfund.org/longitudinal-barrier/cass-s3-m10-2/>
From the description:
High-Tension Cable System. Proprietary wave-shaped slot in S3 x 5.7# post working in tandem with strategically positioned cables to lower deflections in roadside or

median barrier applications. Driven socket, driven post or concreted socket options available and utilizing prestretched or standard 3/4" cables; MASH TL4 on 10:1 or flatter slopes.

A report detailing test results is available at <https://www.roadsidepooledfund.org/wp-content/uploads/2017/01/b232a-1.pdf>.

- CASS S3 on 4H:1V
<https://www.roadsidepooledfund.org/longitudinal-barrier/cass-s3-m10/>

From the description:

High-Tension Cable System. Proprietary wave-shaped slot in S3 x 5.7# post working in tandem with strategically positioned cables to lower deflections in roadside or median barrier applications. Driven socket, driven post or concreted socket options available and utilizing prestretched or standard 3/4" cables; MASH TL3 on 4:1 or flatter slopes.

A report detailing test results is available at <https://www.roadsidepooledfund.org/wp-content/uploads/2017/01/b232-1.pdf>.

International Resources

Network Design for Road Safety (Stereotypes for Cross-Sections and Intersections): User Guide, Peter Aumann, Madeleine Bekavac, Lisa Steinmetz, Michael Tziotis, Farhana Ahmed, Richard Fanning and David Bobberman, Austroads, May 2020.

Citation at <https://trid.trb.org/view/1709443>

From the abstract:

This user guide provides guidance to road managers, planners and designers on achieving improved safety outcomes by applying consistent standards along a road corridor. Thirteen road stereotype tables were identified covering the road network from rural freeways to urban local access roads. For each road stereotype, a range of cross-sections was developed with appropriate attributes. Each cross-section was assessed for crash risk using the International Road Assessment Program (iRAP) and the Australian National Risk Assessment Model (ANRAM).

Section 5.7 (page 26 of the report, 32 page of the PDF) provides considerations for using roadside safety barriers.

“Safety Evaluation of Cable Barriers Installation on Rural Highways in British Columbia,”

Mohamed El Esawey, Caitlin Sowers, Joy Sengupta and Raoul Jain, *Traffic Injury Prevention*, Vol. 20, Issue 2, pages 220-225, April 2019.

Citation at <https://doi.org/10.1080/15389588.2018.1555819>

From the abstract:

Objective: The objective of this study was to evaluate the safety effectiveness of cable barrier systems installation on rural highway sections in British Columbia, Canada.

Methods: Data on police-attended serious collisions (injury + fatality) on a number of rural highway sections in British Columbia, Canada, were used in the analysis. An empirical Bayes (EB) approach was employed to ensure that the evaluation results were reliable and to account for the regression to the mean artifact. Safety performance functions (SPFs) were

developed using data collected at similar sites. For both median cable barrier (MCB) and roadside cable barrier (RCB) sections, the evaluation was undertaken using all serious collisions, truck serious collisions, and off-road serious collisions.

Results: For MCB sections, the evaluation results showed statistically significant reductions of 21.7[%], 53.8[%] and 34.8% in all serious collisions, truck serious collisions, and off-road left (ORL) combined with head-on (HO) serious collisions. For RCB sections, statistically significant reductions of 74.7[%], 100[%] and 100% were found in all serious collisions, truck serious collisions and off-road right (ORR) serious collisions, respectively. The impact of the after period on the evaluation results was explored. It was found that the changes in safety become more stable using an after period of 2 [to] 5 years.

Conclusions: Cable barriers were successful in reducing the frequency of serious collisions on provincial highways in British Columbia.

Guide to Road Design – Part 6: Roadside Design, Safety and Barriers, Graeme Nichols and Gary Veith, Austroads, August 2018.

<https://www.onlinepublications.austroads.com.au/items/AGRD06-10>

From the abstract: The Guide to Road Design — Part 6: Roadside Design, Safety and Barriers provides an introduction to roadside design and in particular guidance on roadside safety and the selection and use of road safety barrier systems. Roadsides have to accommodate many features that support the road and the safe and efficient operation of traffic, and have to be designed with regard to environmental requirements. Part 6 should therefore be read in conjunction with the following parts of the Guide to Road Design that are briefly described in Section 2 of this guide, namely: 1. Part 6A: Pedestrian and Cyclist Paths; 2. Part 6B: Roadside Environment. Part 6 provides information to enable designers to understand principles that lead to the design of safe roads, identify hazards, undertake a risk assessment process of roadside hazards, establish the need for treatment of hazards and determine the most appropriate treatment to mitigate hazards. Methods of evaluating roadside hazards and the effectiveness of treatment options are summarized and references are provided for detailed information on project evaluation. A comprehensive design process, guidance and design considerations are provided for the selection of a suitable road safety barrier and for the lateral and longitudinal placement of road safety barrier systems.

Chapter H-5: Roadside and Median Barrier Systems, *Roadside Design Guide*, Alberta Infrastructure and Transportation, February 2018.

<http://www.transportation.alberta.ca/Content/docType233/Production/H5RoadsideMedianBarrierSystems.pdf>

A comparison of roadside and median barrier systems is presented in this chapter. Section H.5.5.2 provides design and placement considerations for high-tension cable barrier systems (page 21 of the PDF). W-beam barriers are discussed in Section H.5.5.4 (page 37 of the PDF), and three-beam barriers are discussed in Section H.5.5.5 (page 40 of the PDF).

Manufacturers and Vendors

Gibraltar Cable Barrier System, Gibraltar Global, 2020.

<https://gibraltarglobal.com/>

Gibraltar products include:

- *TL-3*: This system consists of a three-strand, high-tension cable barrier designed to contain vehicle types from smaller cars up to three-quarter-ton pickup trucks.

- *TL-4 Three Cable*: This system consists of a three-strand, high-tension cable barrier designed to contain vehicle types from smaller cars up to 18,000-pound cargo trucks.
- *TL-4 Four Cable*: This four-cable system is designed to contain vehicle types from smaller cars up to 18,000-pound cargo trucks.

SAFENCE, Gregory Highway Products, Gregory Industries, 2020.

<https://www.gregorycorp.com/gregory-highway/safence>

From the web site:

SAFENCE is the tensioned wire-rope cable barrier system from Gregory Industries. As a “soft” barrier, SAFENCE is designed to safely absorb energy while redirecting the impacting vehicle along the barrier. SAFENCE also saves money because it is the only barrier system that meets TL-3 and TL-4 standards with either three or four cables.

SAFENCE is a longitudinal cable barrier system that is [NCHRP] 350 TL-3 and TL-4 approved.

It is available in 3-cable or 4-cable configurations with non-releasable anchors. This is a preferred system because cables remain under tension after vehicle impact.

SAFENCE meets Test Level-4 requirements with just three cables. A fourth cable can be added without the need for added testing for installations that specify four cables. Eliminating the fourth cable from project specifications can result in significant savings while still meeting test standards.

NU-CABLE High Tension Barrier System, Nucor Steel Marion, Inc., Nucor Corporation, 2013.

<https://www.nucorhighway.com/cable-barrier-products/nu-cable-high-tension/>

From the web site: The NU-CABLE High Tension Cable Barrier System offers a unique combination of TL-3 and TL-4 crash-test proven protection and visual appeal in both median and right-side guiderail applications. Plus the added bonus of a 50[%] to 75% cost saving versus traditional W-beam and concrete barriers, and up to 20% savings over other high-tension cable systems.

Contacts

CTC contacted the individuals below to gather information for this investigation.

State Agencies

Arizona

Chris Cooper
Roadway Standards, Intermodal
Transportation Division
Arizona Department of Transportation
602-712-8365, ccooper@azdot.gov

Arkansas

David Baker
Staff Design Engineer, Roadway Design
Arkansas Department of Transportation
501-569-2054, david.baker@ardot.gov

Connecticut

David J. Kilpatrick
Transportation Supervising Engineer
Connecticut Department of Transportation
860-594-3288, david.kilpatrick@ct.gov

Indiana

David Boruff
Traffic Engineering/Manager
Indiana Department of Transportation
317-234-7975, dboruff@indot.in.gov

Iowa

Daniel Harness
Roadside Safety Engineer, Design
Iowa Department of Transportation
515-239-1727, daniel.harness@iowadot.us

Kentucky

R. Jeffrey Wolfe
Director, Traffic Operations
Kentucky Transportation Cabinet
502-782-5546, jeff.wolfe@ky.gov

Louisiana

Kurt Brauner
Bridge Engineer Manager, Bridge Design
Louisiana Department of Transportation and
Development
225-379-1933, kurt.brauner@la.gov

Michigan

Carlos Torres
Crash Barrier Engineer, Design
Michigan Department of Transportation
517-335-2852, torresc@michigan.gov

Missouri

Nickolas Voltenburg
Roadside Design Specialist, Design
Missouri Department of Transportation
573-526-2918,
nickolas.voltenburg@modot.mo.gov

Nevada

Scott Hein
Chief Road Design Engineer, Design
Nevada Department of Transportation
775-888-7797, shein@dot.nv.gov

New Mexico

Afshin Jian
State Traffic Engineer, Infrastructure
New Mexico Department of Transportation
505-795-5993, afshin.jian@state.nm.us

New York

Terry Hale
Professional Engineer 1, Design Quality
Assurance Bureau, Office of Design
New York State Department of
Transportation
518-485-7009, terry.hale@dot.ny.gov

Pennsylvania

Nina Ertel
Project Development Engineer, Highway
Design and Technology Section
Pennsylvania Department of Transportation
717-425-7679, nertel@pa.gov

Wisconsin

Erik Emerson
Standards Development Engineer
Wisconsin Department of Transportation
605-266-2842, eri.emerson@dot.wi.gov

Vendors

Brifen USA, Inc.

John Guevara
Regional Sales Manager
Brifen USA, Inc.
405-657-8582, john.g@brifenus.com

Trinity Highway Products, LLC

Don Gripne
Consultant
Trinity Highway Products, LLC
360-561-3966, don.gripne@trin.net

Appendix A: Survey Questions

The following surveys were distributed to state departments of transportation (DOTs), vendors and crash testing facilities expected to have experience with high-tension cable barrier used as guardrail on the right shoulder of the road.

State Department of Transportation Survey

The following survey was distributed to state DOT members of the American Association of State Highway and Transportation Officials (AASHTO) Committee on Traffic Engineering.

Caltrans Survey on High-Tension Cable Barrier as Guardrail

Note: The response to the question below determines how a respondent is directed through the survey.

(Required) Does your agency **use** or **has it considered using** high-tension cable barrier as guardrail on the right shoulder of the road?

Response Options:

- Yes. Our agency **uses** high-tension cable barrier as guardrail on the right shoulder of the road. (Directs the respondent to the **General Information** section of the survey and the sections that follow it.)
- No. While our agency does not use high-tension cable barrier as guardrail on the right shoulder of the road, it **is considering** this application. (Directs the respondent to the **Agencies Considering High-Tension Cable Barrier as Guardrail** section of the survey.)
- No. Our agency **has never used** and **is not considering** using high-tension cable barrier as guardrail on the right shoulder of the road. (Directs the respondent to the **Agencies Not Using High-Tension Cable Barrier as Guardrail** section of the survey.)

Agencies Not Using High-Tension Cable Barrier as Guardrail

Please briefly describe why your agency is not using or considering for use high-tension cable barrier as guardrail.

Note: After responding to the question above, the respondent is directed to the **Wrap-Up** section of the survey.

Agencies Considering High-Tension Cable Barrier as Guardrail

1. Please briefly describe your agency's discussions or plans to use high-tension cable barrier as guardrail.
2. Has your agency used high-tension cable barrier as guardrail on the right shoulder of the road as a pilot or trial application (one-time use)?
 - No

- Yes (Please briefly describe the pilot or trial application; provide a link to any documents related to the pilot application or send any files not available online to carol.rolland@ctcandassociates.com.)
-

Note: After responding to the questions above, the respondent is directed to the **Wrap-Up** section of the survey.

Agencies Using High-Tension Cable Barrier as Guardrail

General Information

Has your agency used high-tension cable barrier as guardrail on the right shoulder of the road as a pilot or trial application (one-time use)?

- No
- Yes (Please briefly describe the pilot or trial application; provide a link to any documents related to the pilot application or send any files not available online to carol.rolland@ctcandassociates.com.)

System Description

1. What is the name of your agency's high-tension cable barrier system?
2. What is the name of the vendor providing the system (for example, Brifen or Gibraltar)?
3. Does the vendor provide a complete barrier system? That is, does the system include tie-downs, end protection and other elements needed for installation?
 - Yes
 - No (Please describe the system elements that must be purchased separately.)
4. If available, please provide links to documentation that describes your agency's policies and practices for selecting, installing and maintaining high-tension cable barrier systems. Send any files not available online to carol.rolland@ctcandassociates.com.
5. Does your agency have standard plans or drawings for using high-tension cable barrier as guardrail?
 - No
 - Yes (Please provide a link to these documents or send any files not available online to carol.rolland@ctcandassociates.com.)
6. If available, please provide links to a project plan set that was used for a specific barrier installation. Send any files not available online to carol.rolland@ctcandassociates.com.

System Implementation and Maintenance

1. How long has your agency used high-tension cable barrier as guardrail?
2. What are the primary factors that determine when your agency will use high-tension cable barrier as guardrail (for example, narrow shoulder between highway and pedestrian/bicycle facility, or reduced visual impacts)?
3. Please describe the criteria your agency uses when choosing a high-tension cable barrier system instead of the more traditional Midwest Guardrail System or concrete barrier for a specific application.

4. Please describe your agency's installation specifications:
 - Minimum length of barrier on right side.
 - Minimum radius (e.g., 250-foot minimum).
 - Minimum deflection area.
 - Post spacing.
 - Space needed to install.
 - Section cross slope.
 - Slope hinge point/slope breakpoint.
 - Attaching to a structure.
 - Speed of facility.
 - Other. (Please describe.)
5. Please describe your agency's experience with maintaining these cable barrier systems.

System Assessment

1. In your agency's experience, what are the safety implications for using high-tension cable barrier as guardrail?
2. Please identify how your agency evaluates the performance of the barrier system. Select all that apply.
 - Our agency does not have any in-service performance data.
 - Crash data.
 - Cost of maintenance data.
 - Other. (Please specify.)
3. What are the benefits of using high-tension cable barrier in this application?
4. What are the challenges of using high-tension cable barrier in this application?
5. What recommendations does your agency have for using high-tension cable barrier as guardrail?

Wrap-Up

Please use this space to provide any comments or additional information about your previous responses.

Barrier Vendor and Crash Testing Facility Survey

The survey below was distributed to the following high-tension cable barrier manufacturers and crash testing facilities recommended by the Caltrans project panel:

Barrier Vendors

- Brifen USA.
- Gregory Highway Products.
- Trinity Highway Products.

Crash Testing Facilities

- KARCO–San Bernardino.
- Midwest Roadside Safety Facility.
- Texas Transportation Institute.

Caltrans Survey on High-Tension Cable Barrier as Guardrail

1. Has your company manufactured or has your organization tested cable barrier that has been used in place of guardrail on the right or left side of the roadway (primarily longer runs)?
 - Yes (Please respond to question 1A below.)
 - No
- 1A. Please provide the following information about these applications:
 - Project description.
 - Location(s).
 - Project owner (such as state DOT, other transportation-related agency, toll authority).
 - Contact information.
2. If your company **has not manufactured** or your organization **has not tested** cable barrier that has been used in place of guardrail on the right or left side of the roadway, do you have any plans to develop and test cable barrier to be used as guardrail?
3. Has your company manufactured or has your organization tested cable barrier that has been used to separate multimodal facilities such as pedestrian and bicycle facilities?
 - Yes (Please respond to question 3A below.)
 - No
- 3A. Please provide the following information about these applications:
 - Project description.
 - Location(s).
 - Project owner (such as state DOT, other transportation-related agency, toll authority).
 - Contact information.
4. Does your company or organization have installation instructions or installation plan sheets for installing cable barrier as guardrail (primarily offset from hinge break points, allowable steepness of slope behind cable barrier and preferred offsets)?
 - No
 - Yes (Please provide a link to these documents or send any files not available online to carol.rolland@ctcandassociates.com.)
5. Are there any restrictions that would not allow cable barrier you manufacture or test to be used as guardrail if the field conditions (such as approach slope or dike placement) were the same as crash testing criteria?
 - No
 - Yes (Please describe these restrictions.)
6. **Crash testing facilities only:** Are you aware of any ongoing or planned testing of cable barrier used as guardrail?
 - No
 - Yes (Please describe the research facility and provide the researchers' contact information and research report, if available.)

DESIGN DESIGNATION

A.D.T. - 2008 = 16,400
 A.D.T. - 2028 = 19,840
 D.H.V. = 12%
 T = 17%
 V = 65 M.P.H.
 DDT = 09%

FUNCTIONAL CLASSIFICATION-

CONTROLLED ACCESS HIGHWAY

THIS SHALL BE A CONTROLLED ACCESS HIGHWAY, BETWEEN STA. 41+34.8 TO STA. 651+99.71 EXCEPT AT LOCATIONS AND AS OTHERWISE SPECIFICALLY SHOWN ON THESE PLANS. NO ADJUTTER'S RIGHTS IN OR OF DIRECT ACCESS TO, FROM, OR ACROSS THE HIGHWAY OR ITS RIGHT-OF-WAY SHALL ATTACH OR BELONG TO ANY PROPERTY ADJUTTING ON SAID SECTION OF HIGHWAY, OR TO ANY PERSON MERELY BECAUSE OF OWNERSHIP OF SUCH ADJUTTING PROPERTY. THERE SHALL BE THE USUAL RIGHT OF ACCESS OVER ANY LOCATION SHOWN ON THESE PLANS EITHER AS (1) AN ENTRANCE OR (2) A PRIVATE UNDERPASS. WHEREVER AN ADJACENT OUTER ROADWAY OR SERVICE ROAD IS SHOWN, THERE SHALL BE THE USUAL RIGHT OF DIRECT ACCESS BETWEEN THE ADJUTTING PROPERTY AND SUCH OUTER ROADWAY OR SERVICE ROAD (EXCEPT WHERE ACCESS IS SPECIFICALLY PROHIBITED BY THE SPECIAL SYMBOL DENOTING NO RIGHT OF ACCESS) AND ALONG IT TO AND FROM THE NEAREST LANE OF THE THROUGHWAY OF A PUBLIC HIGHWAY. OUTER ROADWAYS AND SERVICE ROADS, AS THE CASE MAY BE, ARE SO DESIGNATED ON THE PLANS.

- BEGINNING AND ENDING OF CONTROLLED ACCESS
- +— CONTROLLED ACCESS
- X— NO RIGHT OF ACCESS OR CROSSING OF LINES BEARING THIS SYMBOL WILL BE PERMITTED UNDER ANY CIRCUMSTANCES.

CONVENTIONAL SYMBOLS (USED IN PLANS)

	EXISTING	NEW
BUILDINGS AND STRUCTURES		
GUARD RAIL		
CONCRETE RIGHT-OF-WAY MARKER		
STEEL RIGHT-OF-WAY MARKER		
LOCATION SURVEY MARKER		
UTILITIES		
FIBER OPTICS		
OVERHEAD TELEPHONE		
UNDERGROUND TELEPHONE		
OVERHEAD POWER		
UNDERGROUND POWER		
GAS		
WATER		
MANHOLE		
FIRE HYDRANT		
WATER VALVE		
WATER METER		
DROP INLET		
DITCH BLOCK		
GROUND MOUNTED SIGN		
LIGHT POLE		
H-FRAME POWER POLE		
TELEPHONE PEDESTAL		
FENCE		
CHAIN LINK		
WOVEN WIRE		
GATE POST		
BENCHMARK		

NOTE: DASHED OR OPEN SYMBOLS INDICATE EXISTING FEATURES

MISSOURI HIGHWAYS AND TRANSPORTATION COMMISSION
PLANS FOR STATE HIGHWAY 5
LACLEDE COUNTY
-FINAL PLANS-

Prepared by: Craig Huckaby 7-25-11
 Checked by: *North Mackdoug* 7-25-11

ROUTE	STATE	DISTRICT	SHEET NO.
5	MO	8	1
JOB NO. J8P0902			
CONTRACT ID. 090626-501			
PROJECT NO. FAF-5-2(28)			
COUNTY LACLEDE			
DATE			

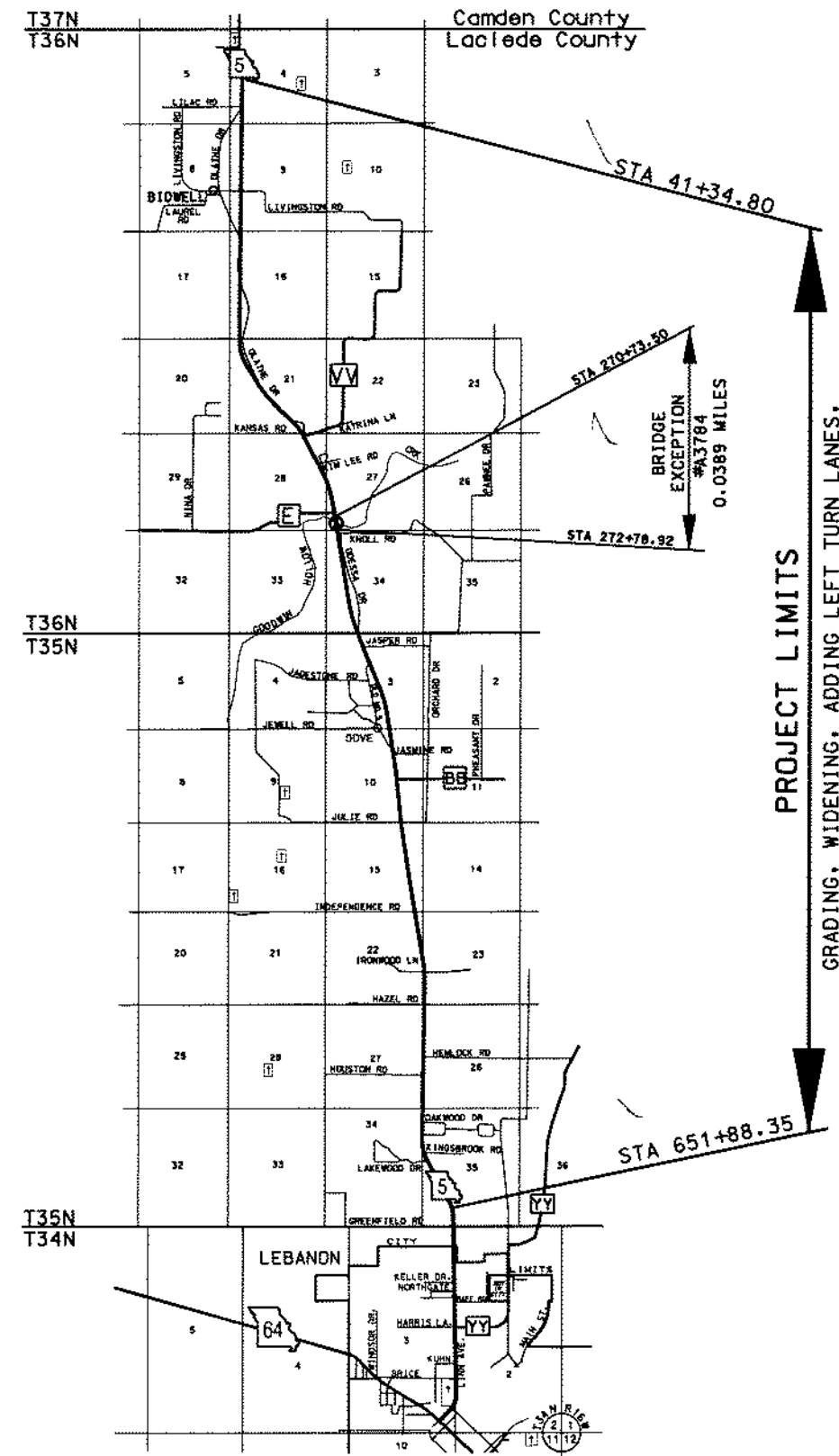
"THIS MEDIA SHOULD NOT BE CONSIDERED A CERTIFIED DOCUMENT."

INDEX OF SHEETS

DESCRIPTION	SHEET NUMBER
TITLE SHEET	1
TYPICAL SECTIONS (TS) (4 SHEETS)	2
QUANTITIES (QU) (11 SHEETS)	3
PLAN-PROFILE	4-14
COORDINATE POINT SHEET (CP)	XX-XX
SPECIAL SHEETS (SS)	S1-S6
TRAFFIC CONTROL SHEETS (TC)	XX-XX
EROSION CONTROL SHEETS (EC)	XX-XX
PAVEMENT MARKING & SIGNING (PM)	PM1-PM42
CULVERT SECTIONS (CS)	CS1-CS3
BRIDGE DRAWINGS (B)	
A###	XX-XX
A###	XX-XX
A###	XX-XX
A###	XX-XX
CROSS SECTIONS (XS)	XX-XX

FINAL PLANS

NOT TO SCALE



PROJECT LIMITS
 GRADING, WIDENING, ADDING LEFT TURN LANES,
 4' MEDIAN, AND ADDING PASSING LANES.

LENGTH OF PROJECT

BEGINNING OF PROJECT	STA. 41+34.80
END OF PROJECT	STA. 651+88.35
APPARENT LENGTH	61053.55 FEET
EQUATIONS AND EXCEPTIONS:	
STA 85+00.00BK = STA 84+99.15AHD =	+0.85 FEET
STA 160+00.00BK = STA 159+98.91AHD =	+1.09 FEET
STA 240+00.00BK = STA 239+99.02AHD =	+0.98 FEET
BRIDGE EXCEPTION:	
STA 270+73.50 TO STA 272+78.92 =	-205.42 FEET
STA 316+00.00BK = STA 315+98.48AHD =	+1.52 FEET
STA 328+50.00BK = STA 328+54.05AHD =	-4.05 FEET
STA 615+00.00BK = STA 614+99.76AHD =	+0.24 FEET
TOTAL CORRECTIONS	-204.79 FEET
NET LENGTH OF PROJECT	60848.76 FEET
STATE LENGTH	11.524 MILES

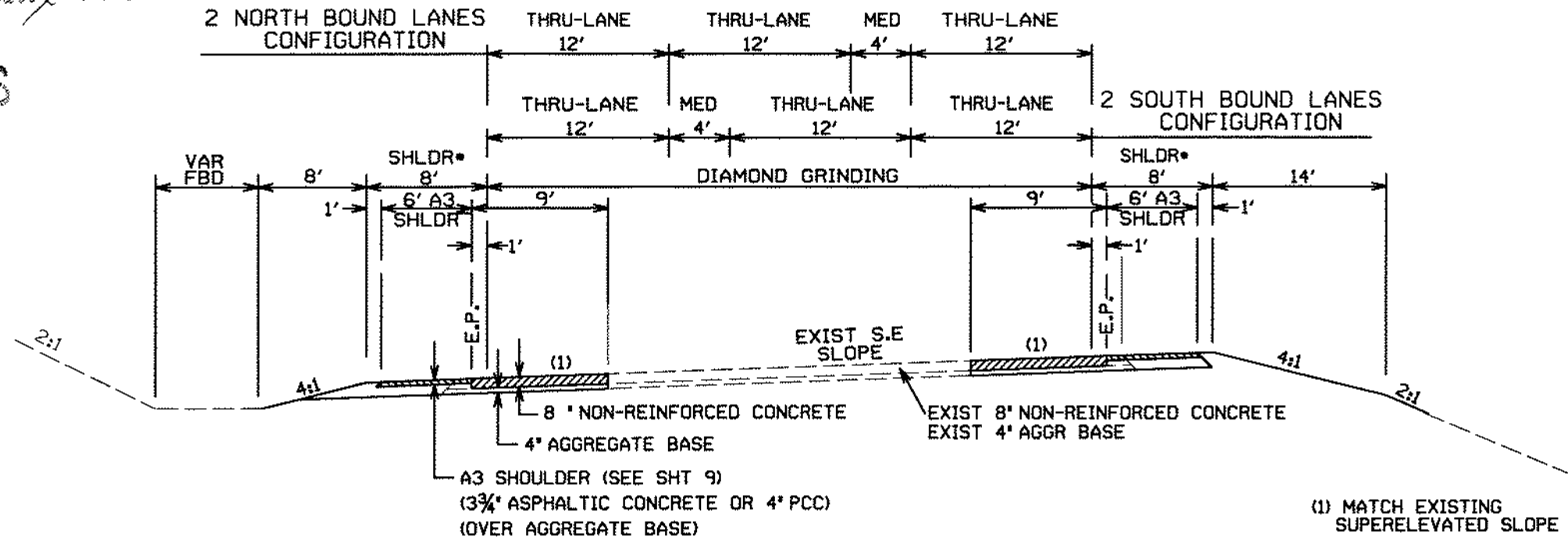
IF A SEAL IS PRESENT ON THIS SHEET IT HAS BEEN ELECTRONICALLY SEALED AND DATED.

Prepared by: Craig Huckaby 7-25-11
 Checked by: *Keith Maddy* 7-25-11

FINAL PLANS

ROUTE	STATE	DISTRICT	SHEET NO.
5	MO	8	2
JOB NO. JBP0902			
CONTRACT ID. 090626-501			
PROJECT NO. FAF-5-2(28)			
COUNTY LACLEDE			
DATE			

THIS MEDIA SHOULD NOT BE CONSIDERED A CERTIFIED DOCUMENT.

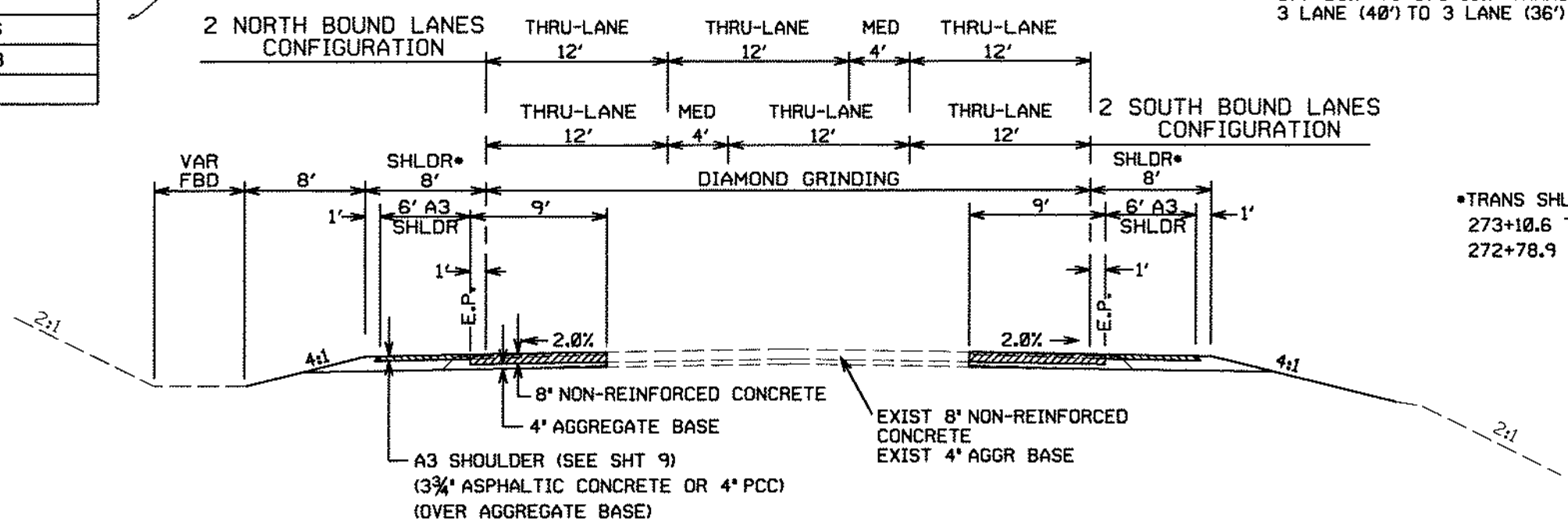


STATIONS FOR 2 SB, 4' MED, & 1 NBL	
52+57	TO 122+78
281+52	TO 343+10
421+16	TO 487+58

STATIONS FOR 2 NB, 4' MED, & 1 SBL	
152+30	TO 209+36
366+54	TO 405+73
511+33	TO 566+04

2 AND 1 LANES W/ FLUSH 4' MEDIAN
 41+34.80 TO 230+75.7
 238+68.7 TO 253+62.4
 272+78.9 TO 578+18.7
SUPERELEVATION SECTION

WIDTH TRANSITIONS
 226+87 TO 230+75.7 TRANSITION
 3 LANE (40') TO 2 LANE (28')
 238+68.7 TO 242+57.5 TRANSITION
 2 LANE (28') TO 3 LANE (40')
 249+50 TO 253+62.4 TRANSITION
 3 LANE (40') TO 2 LANE (28')
 577+08.7 TO 578+18.7 TRANSITION
 3 LANE (40') TO 3 LANE (36')



2 AND 1 LANES W/ FLUSH 4' MEDIAN
 41+34.80 TO 230+75.7
 238+68.7 TO 253+62.4
 272+78.9 TO 578+18.7
TANGENT SECTION

•TRANS SHLDR 2' TO 8' (BRIDGE END)
 273+10.6 TO 274+10.6 LT
 272+78.9 TO 273+78.9 RT

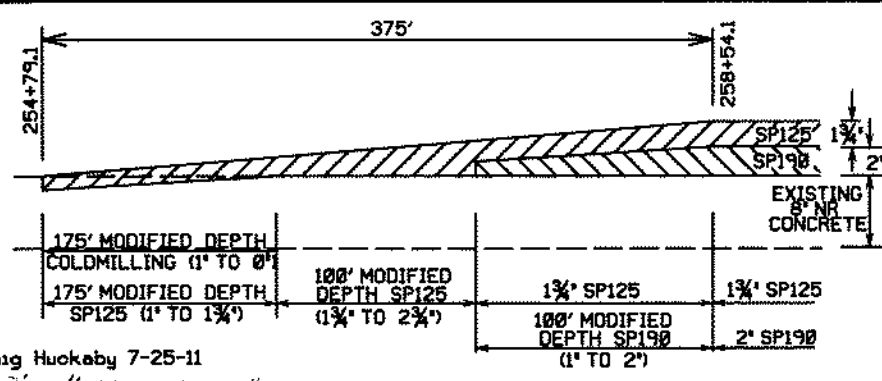
NOTE: BRIDGE EXCEPTION
 270+73.5 TO 272+78.9
 NOT COVERED BY
 TYPICAL SECTIONS

TYPICAL SECTIONS
 RTE 5
 SHEET 1 OF 4

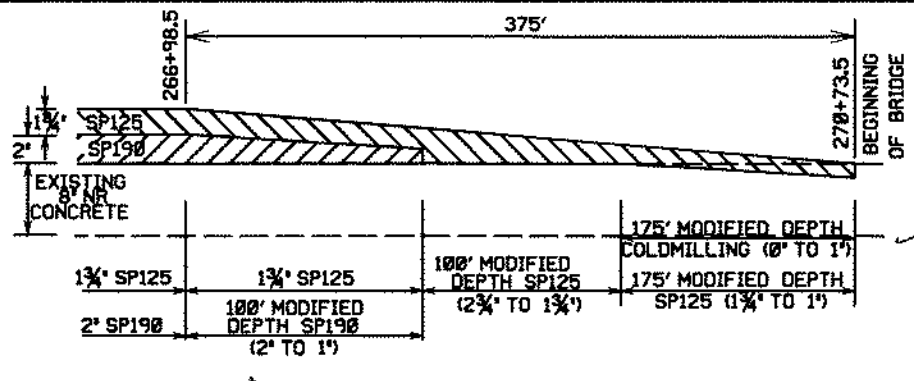
BRIDGE NO.	DATE PREPARED
DESCRIPTION	DATE



IF A SEAL IS PRESENT ON THIS SHEET IT HAS BEEN ELECTRONICALLY SEALED AND DATED.



FINAL PLANS



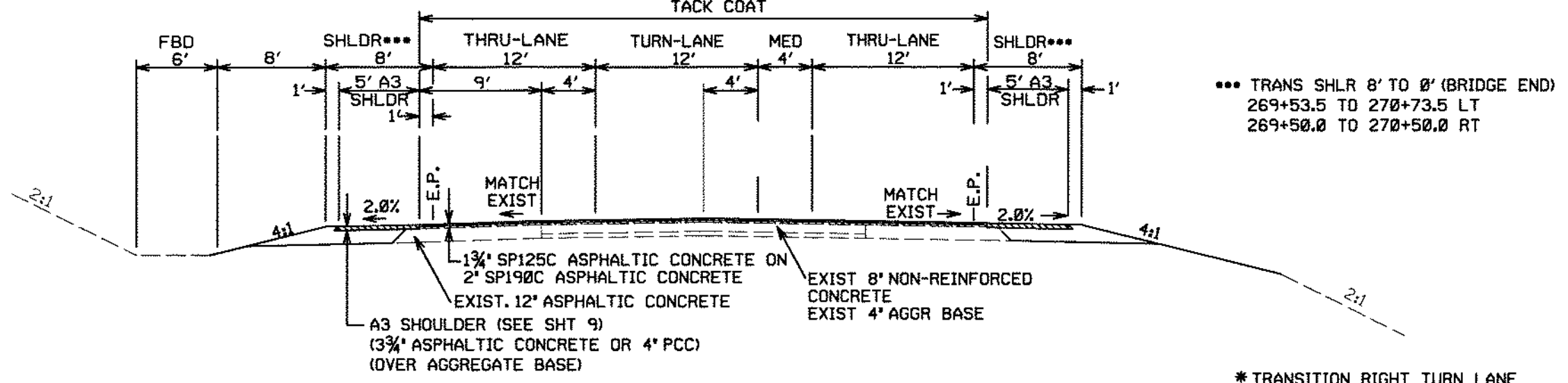
ROUTE	STATE	DISTRICT	SHEET NO.
5	MO	8	2
JOB NO. J8P0902			
CONTRACT ID. 090626-501			
PROJECT NO. FAF-5-2(28)			
COUNTY LACLEDE			
DATE			

THIS MEDIA SHOULD NOT BE CONSIDERED A CERTIFIED DOCUMENT.

Prepared by: Craig Huokaby 7-25-11
Checked by: Mark Maday 7-25-11

***DEPTH TRANS DETAIL**

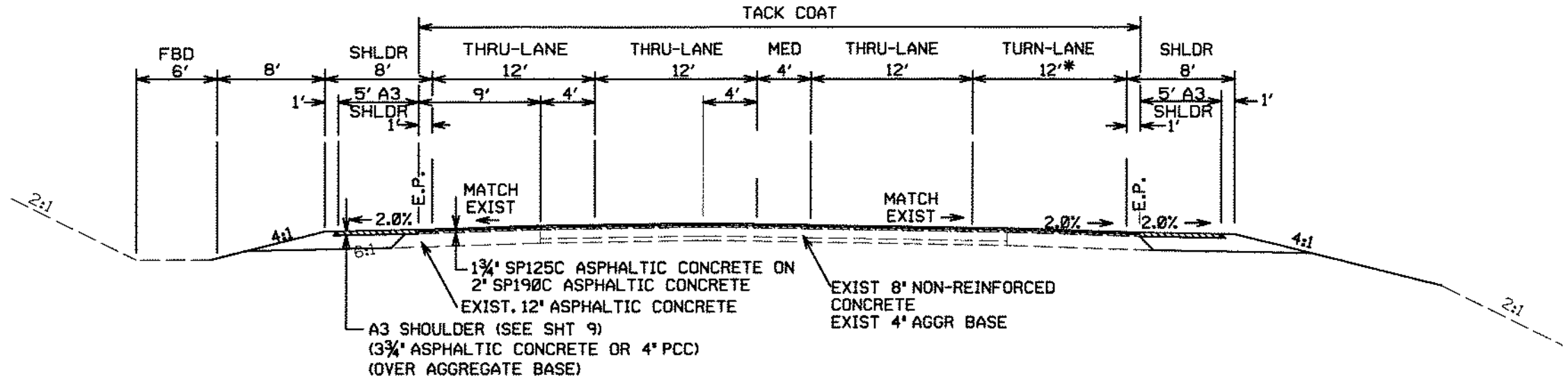
DEPTH TRANS DETAIL BEGINNING OF BRIDGE



*** TRANS SHLR 8' TO 0' (BRIDGE END)
269+53.5 TO 270+73.5 LT
269+50.0 TO 270+50.0 RT

**2 AND 1 LANES W/ FLUSH 4' MEDIAN
262+92.8 TO 270+73.5
TANGENT SECTION**

* TRANSITION RIGHT TURN LANE
0' TO 12' STA. 258+54.1 TO 260+33.3
** TRANS COLD MILL ONLY IF ALTERNATE
A MAINLINE PAVEMENT IS USED



**2 AND 1 LANES W/ FLUSH 4' MEDIAN
258+54.1 TO 262+92.8
TANGENT SECTION**

**TYPICAL SECTIONS
RTE 5 @ RTE E
SHEET 2 OF 4**

BRIDGE NO.	DATE PREPARED
DESCRIPTION	DATE

MISSOURI HIGHWAYS AND TRANSPORTATION COMMISSION

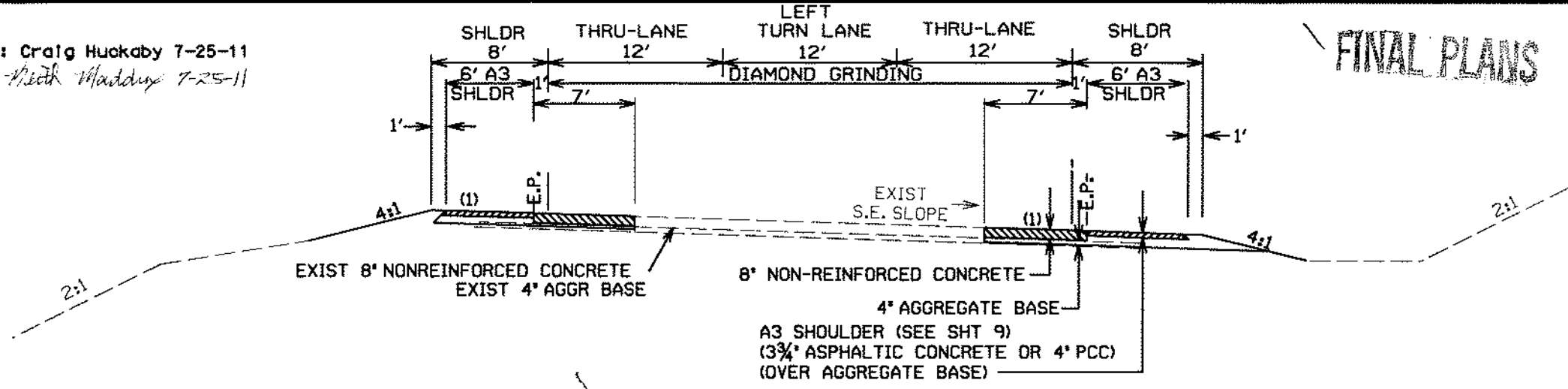
105 WEST CAPITOL
JEFFERSON CITY, MO 65102
1-888-ASK-MODOT (1-888-275-6636)

IF A SEAL IS PRESENT ON THIS SHEET IT HAS BEEN ELECTRONICALLY SEALED AND DATED.

Prepared by: Craig Huckaby 7-25-11
 Checked by: *Keith Maddox 7-25-11*

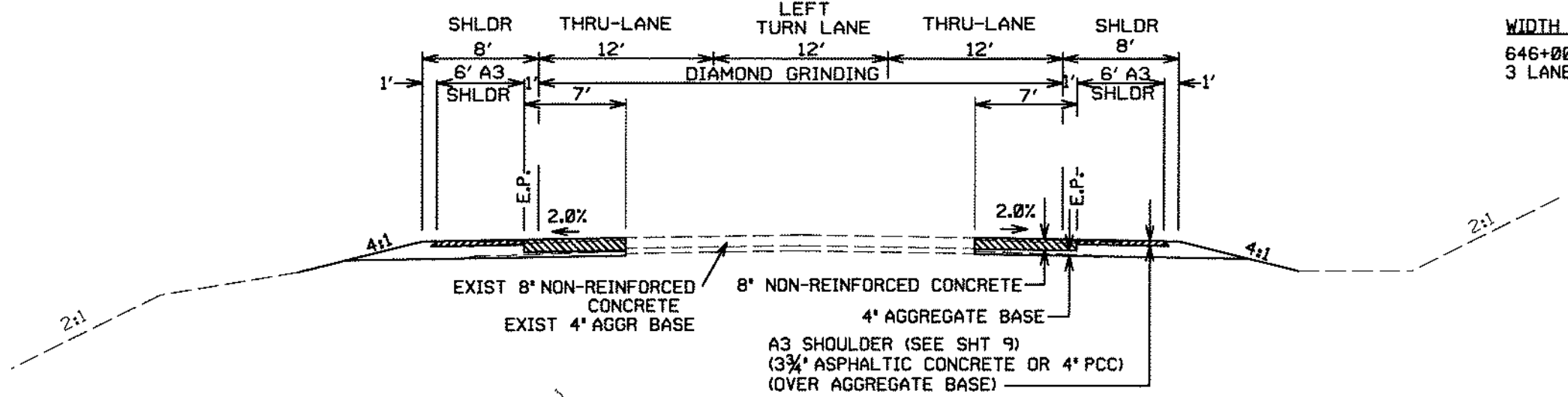
FINAL PLANS

ROUTE	STATE	DISTRICT	SHEET NO.
5	MO	8	2
JOB NO. J8P0902			
CONTRACT ID. 090626-501			
PROJECT NO. FAF-5-2(28)			
COUNTY LACLEDE			
DATE			



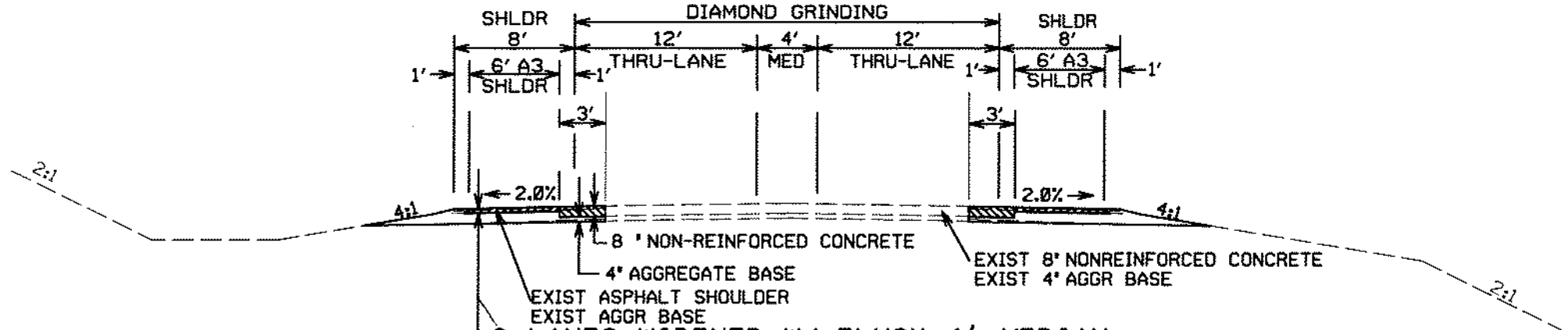
2 LANES W/ LEFT TURN LANE
 578+18.7 TO 585+41.5
 596+61.5 TO 651+88.35
 SUPERELEVATION SECTION

(1) MATCH EXISTING SUPERELEVATED SLOPE



WIDTH TRANSITIONS
 646+00 TO 651+88.35 TRANSITION
 3 LANE (40') TO 5 LANE (58')

2 LANES W/ LEFT TURN LANE
 578+18.7 TO 585+41.5
 596+61.5 TO 651+88.35
 TANGENT SECTION



A3 SHOULDER (SEE SHT 9)
 (3/4" ASPHALTIC CONCRETE OR 4" PCC)
 (OVER AGGREGATE BASE)

2 LANES WIDENED W/ FLUSH 4' MEDIAN
 230+75.7 TO 238+68.7
 253+62.4 TO 258+54.1
 TANGENT SECTION

TYPICAL SECTIONS
 RTE 5
 SHEET 3 OF 4

BRIDGE NO.	DATE PREPARED
DESCRIPTION	DATE

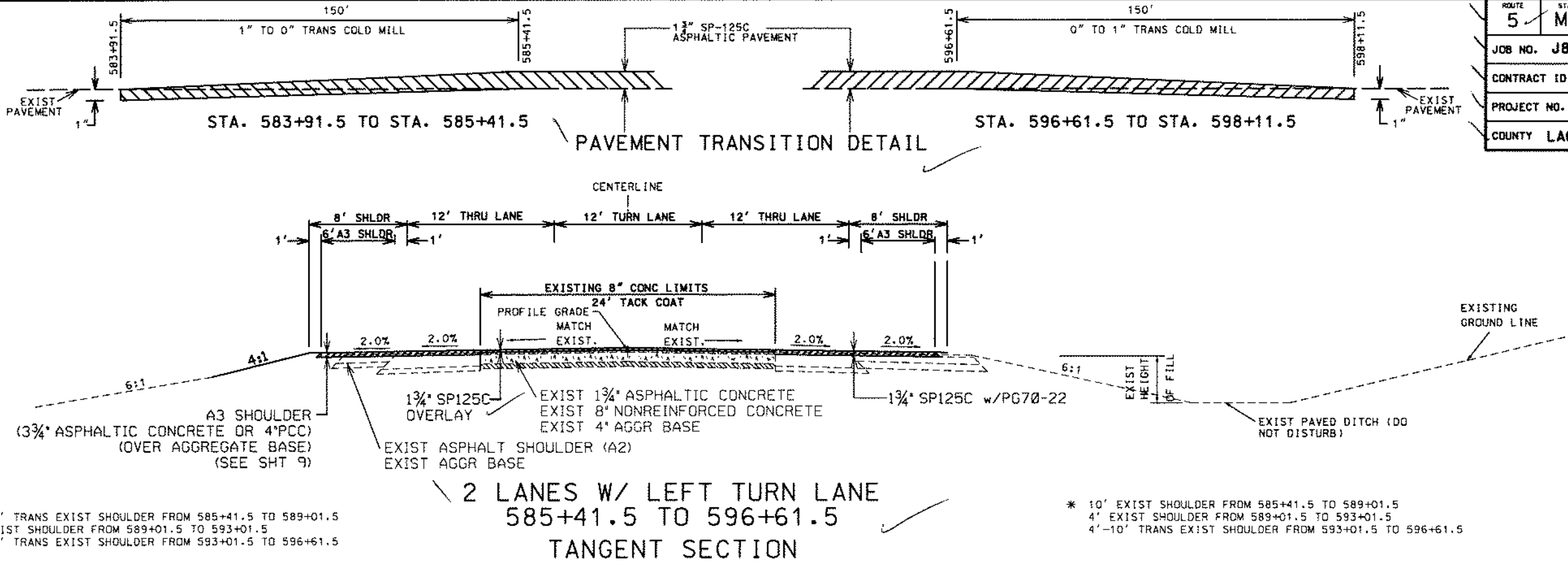


MISSOURI HIGHWAYS AND TRANSPORTATION COMMISSION
 108 WEST CAPITOL
 JEFFERSON CITY, MO 65102
 1-888-ASK-MODOT (1-888-275-6636)

IF A SEAL IS PRESENT ON THIS SHEET IT HAS BEEN ELECTRONICALLY SEALED AND DATED.

ROUTE 5	STATE MO	DISTRICT 8	SHEET NO. 2
JOB NO. J8P0902			
CONTRACT ID. 090626-501			
PROJECT NO. FAF-5-2(28)			
COUNTY LACLEDE			
DATE _____			

"THIS MEDIA SHOULD NOT BE CONSIDERED A CERTIFIED DOCUMENT."



DESCRIPTION	BRIDGE NO.	DATE PREPARED

** 10'-4' TRANS EXIST SHOULDER FROM 585+41.5 TO 589+01.5
 4' EXIST SHOULDER FROM 589+01.5 TO 593+01.5
 4'-10' TRANS EXIST SHOULDER FROM 593+01.5 TO 596+61.5

* 10' EXIST SHOULDER FROM 585+41.5 TO 589+01.5
 4' EXIST SHOULDER FROM 589+01.5 TO 593+01.5
 4'-10' TRANS EXIST SHOULDER FROM 593+01.5 TO 596+61.5

Prepared by: Craig Huckaby 7-25-11
 Checked by: *Mick Maddox 7-25-11*



MISSOURI HIGHWAYS AND TRANSPORTATION COMMISSION
 105 WEST CAPITAL
 JEFFERSON CITY, MO 65102
 1-888-ASK-MODOT (1-888-275-6636)

TYPICAL SECTIONS
 RTE 5 @ HOUSTON RD
 SHEET 4 OF 4

FINAL PLANS

SUMMARY OF QUANTITIES

THESE PLANS ACCURATELY DEPICT THE CONFIGURATION AND LOCATION OF THE ROADWAY AND ALL APPURTENANCE FEATURES, INCLUDING MODIFICATIONS DESIGNATED OR AUTHORIZED BY THE ENGINEER OF RECORD.

RESIDENT ENGINEER *Dennis Krenning*

DATE *8/5/11*

REV. AUGUST 2008

SHEET 1 OF 2

"THIS MEDIA SHOULD NOT BE CONSIDERED A CERTIFIED DOCUMENT."

ITEM	DESCRIPTION	UNIT	QUANTITY
* ROADWAY ITEMS - J8P0902			
202-20.10	REMOVAL OF IMPROVEMENTS	LS	1
203-10.00	CLASS A EXCAVATION	CUYD	38165
203-60.00	COMPACTING EMBANKMENT	CUYD	18135
206-30.00	CLASS 3 EXCAVATION	CUYD	3
208-10.00	INTERCEPTION DITCH	100F	6
304-01.43	TYPE 1 AGGREGATE FOR BASE (4 IN. THICK)	SQYD	856
304-99.09	MISC.	STA	1216.7
	PROCESS AND PLACE AGGREGATE BASE		
310-70.02	GRAVEL (A) OR CRUSHED STONE (B) OR CHAT (C)	TONS	190
401-01.51	TYPE A3 SHOULDER	SQYD	79378.2
401-12.09	BITUMINOUS PAVEMENT MIXTURE PG64-22, (BP-1)	TONS	1405.8
601-10.00A	TYPE 2 FIELD LABORATORIES	LS	0
606-10.10	GUARDRAIL TYPE A	LF	1754
606-22.00A	BRIDGE ANCHOR SECTION, 6.5 FT. POSTS (SAFETY BARRIER CURB)	EA	4
	ROADWAY AND REHABILITATION WORK ONLY)		
	(ROADWAY AND REHABILITATION WORK ONLY)		
606-23.00A	TRANSITION SECTION, 6.5 FT. POSTS	EA	4
606-30.15	TYPE A CRASHWORTHY END TERMINAL	EA	2
606-66.10	END ANCHOR	EA	0
606-99.02	MISC.	EA	94
	HTGC ANCHOR ASSY		
606-99.03	MISC.	LF	44360
	HIGH TENSION GUARD CABLE		
608-10.00	CONCRETE MEDIAN	SQYD	100.4
608-99.05	MISC.	SQYD	409.8
	8 IN NON-REINFORCED CONC FOR ENTRANCES		
609-70.00	ROCK LINING	CUYD	39
610-99.05	MISC.	SQYD	128.7
	CONCRETE DITCH LINER		
612-30.00A	TRUCK OR TRAILER MOUNTED ATTENUATOR (TMA)	EA	2
616-10.05	CONSTRUCTION SIGNS	SOFT	1488
616-10.08	ADVANCED WARNING RAIL SYSTEM	EA	5
616-10.25	CHANNELIZER (TRIM LINE)	EA	1217
616-10.98	CHANGEABLE MESSAGE SIGN, CONTRACTOR FURNISHED, CONTRACTOR RETAINED	EA	2
	CONTRACTOR RETAINED		
616-11.20	INSTALLING 'DRIVE SMART' SIGN	EA	2
616-11.33	INSTALLING 'POINT OF PRESENCE' SIGN	EA	2
616-20.10	WORK ZONE LIGHTING	LS	1
618-10.00	MOBILIZATION	LS	1
619-10.00	PAVEMENT EDGE TREATMENT	LF	97914
620-51.30	TYPE 2 PREFORMED MARKING TAPE (GROOVED), LEFT/RIGHT ARROW	EA	68
620-59.02	6 IN. WHITE HIGH BUILD ACRYLIC WATERBORNE PAVEMENT MARKING PAINT	LF	123021
	PAINT		
620-59.03	6 IN. YELLOW HIGH BUILD ACRYLIC WATERBORNE PAVEMENT MARKING PAINT	LF	212412
	PAINT		
	PAINT		
620-59.09	24 IN. YELLOW HIGH BUILD ACRYLIC WATERBORNE PAVEMENT MARKING PAINT (HASH BARS)	LF	1951
	PAINT (HASH BARS)		
	PAINT (HASH BARS)		
620-59.21	4 IN. YELLOW WET REFLECTIVE HIGH BUILD ACRYLIC WATERBORNE PAINT	LF	19291

ITEM	DESCRIPTION	UNIT	QUANTITY
	PAVEMENT MARKING PAINT		
	PAVEMENT MARKING PAINT		
620-59.22	6 IN. WHITE WET REFLECTIVE HIGH BUILD ACRYLIC WATERBORNE PAVEMENT MARKING PAINT	LF	14953
	PAVEMENT MARKING PAINT		
	PAVEMENT MARKING PAINT		
620-70.01	PAVEMENT MARKING REMOVAL	LF	27857
620-80.65	TEMPORARY RAISED PAVEMENT MARKER, TYPE 2	EA	1522
627-40.00	CONTRACTOR FURNISHED SURVEYING AND STAKING	LS	1
725-04.30	30 IN. PIPE GROUP C	LF	23
725-04.36	36 IN. PIPE GROUP C	LF	32
725-04.42	42 IN. PIPE GROUP C	LF	36
726-13.24	24 IN. CLASS III REINFORCED CONCRETE PIPE CULVERT	LF	19
732-10.16A	24 IN. OR ALLOWED SUBSTITUTE SAFETY SLOPE END SECTION	EA	4
	SECTION		
732-10.17A	30 IN. OR ALLOWED SUBSTITUTE SAFETY SLOPE END SECTION	EA	1
	SECTION		
732-10.18A	36 IN. OR ALLOWED SUBSTITUTE SAFETY SLOPE END SECTION	EA	1
	SECTION		
732-10.19A	42 IN. OR ALLOWED SUBSTITUTE SAFETY SLOPE END SECTION	EA	1
	SECTION		
732-20.30A	BEVELED PIPE END TREATMENT FOR 30 IN. OR ALLOWED SUBSTITUTE PIPE	EA	1
	PIPE		
	OR ALLOWED SUBSTITUTE PIPE		
732-20.36A	BEVELED PIPE END TREATMENT FOR 36 IN. OR ALLOWED SUBSTITUTE PIPE	EA	1
	PIPE		
	OR ALLOWED SUBSTITUTE PIPE		
732-20.42A	BEVELED PIPE END TREATMENT FOR 42 IN. OR ALLOWED SUBSTITUTE PIPE	EA	1
	PIPE		
	OR ALLOWED SUBSTITUTE PIPE		
805-10.00A	SEEDING - COOL SEASON MIXTURES	ACRE	33.5
805-20.00A	SEEDING - WARM SEASON MIXTURES	ACRE	0
806-10.16	SEDIMENT REMOVAL	CUYD	0
806-10.17	TEMPORARY SEEDING AND MULCHING	ACRE	0
806-10.19	SILT FENCE	LF	500
806-10.22	TYPE II DITCH CHECK	EA	20
806-99.02	MISC.	EA	8
	ROCK DITCH CHECK		
620-59.35	9 IN. BLACK ACRYLIC WATERBORNE CONTRAST PAVEMENT MARKING PAINT	LF	8730
	NT		
401-99.05	MISC.	SQYD	4089.4
	Misc. Option B-Route E Asphalt Overlay		
403-99.05	MISC.	SQYD	401.5
	Misc. System Geosynthetic Interlayer		
407-10.05	TACK COAT	GAL	360
	Tack Coat		
622-40.10	MODIFIED COLD MILLING (DEPTH TRANSITIONS)	SQYD	1498
	Modified Coldmilling (Depth Transitions)		
403-99.05	MISC.	SQYD	6222.2
	1 3/4 In Asphalt Concrete Pavement		
403-99.05	MISC.	SQYD	0
	Misc. Option B-Houston Rd Asphalt Overlay		
403-99.05	MISC.	SQYD	0
	Misc. System Geosynthetic Interlayer		

DESCRIPTION

DATE

MISSOURI HIGHWAYS AND TRANSPORTATION COMMISSION



106 WEST CAPITOL
JEFFERSON CITY, MO 65102
1-888-ASK-MODOT (1-888-275-6636)

IF A SEAL IS PRESENT ON THIS SHEET IT HAS BEEN ELECTRONICALLY SEALED AND DATED.

SUMMARY OF QUANTITIES

FINAL PLANS

THESE PLANS ACCURATELY DEPICT THE CONFIGURATION AND LOCATION OF THE ROADWAY AND ALL APPURTENANCE FEATURES, INCLUDING MODIFICATIONS DESIGNATED OR AUTHORIZED BY THE ENGINEER OF RECORD.

RESIDENT ENGINEER: *Donnie Krenning*

DATE: *8/5/11*

REV. AUGUST 2008

SHEET 2 OF 2

"THIS MEDIA SHOULD NOT BE CONSIDERED A CERTIFIED DOCUMENT."

DATE PREPARED: 8/1/2011
 ROUTE: 5 STATE: MO
 DISTRICT: 08 SHEET NO.: 2A
 COUNTY: LACLEDE
 JOB NO.: J8P0902
 CONTRACT ID: 090626-501
 PROJECT NO.: FAF-5-2(28)
 BRIDGE NO.:

ITEM	DESCRIPTION	UNIT	QUANTITY
407-10.05	TACK COAT Tack Coat	GAL	310
622-40.10	MODIFIED COLD MILLING (DEPTH TRANSITIONS) Modified Coldmilling (Depth Transitions)	SQYD	1667
616-10.09	FLAG ASSEMBLY	EA	30
202-99.05	MISC. Concrete Removal	SQYD	65
109-99.01	MISC. Misc. Equipment Rental	LS	1
622-99.05	MISC. Coldmilling	SQYD	992.1
109-99.02	MISC. 5114 - 25% Share Practical Design Value Rte. BB 2" overlay.	EA	3119.05
616-10.30	TYPE III MOVEABLE BARRICADE	EA	9
622-99.09	MISC. Coldmilling	STA	0.5
109-99.02	MISC. 25% Share of Practical Design #4.	EA	1
613-10.14	FULL DEPTH PAVEMENT REPAIR SAW CUT (FOR PERIMETER AND INTERNAL SAW CUTS)	LF	214
613-10.15	DOWEL BAR (DRILLING, FURNISHING AND INSTALLATION) FOR FULL DEPTH PAVEMENT REPAIR	EA	132
613-10.16	TIE BAR (DRILLING, FURNISHING AND INSTALLATION) FOR FULL DEPTH PAVEMENT REPAIR (TYPE L JOINTS)	EA	30
613-10.10	FURNISHING AND PLACING CONCRETE MATERIAL FOR FULL DEPTH PAVEMENT REPAIR	SQYD	54.7
608-99.01	MISC. Concrete Approach (Rte. VV)	LS	1
109-99.01	MISC. Epoxy Polymer Overlay Repair	LS	1
109-40.00	FORCE ACCOUNT * ALT PVMT A ITEMS - J8P0902	EA	15421.09
502-11.08	CONCRETE PAVEMENT (8 IN. NON-REINF)	SQYD	11722
622-30.10	DIAMOND GRINDING (CONCRETE PAVEMENT)	SQYD	254764
626-20.00A	PORTLAND CEMENT CONCRETE SHOULDER RUMBLE STRIP	STA	1029.7
626-20.01	PORTLAND CEMENT CONCRETE CENTERLINE RUMBLE STRIP	STA	956.1
710-10.10	EPOXY COATED TIE BARS (DRILLED AND INSTALLED) * HIGHWAY SIGNING ITEMS - J8P0902	LB	63210
903-10.10	CONCRETE FOOTINGS, EMBEDDED	CUYD	15.9
903-12.10	STRUCTURAL STEEL POSTS	LB	3778
903-12.40	BREAKAWAY ASSEMBLY	EA	51
903-12.70A	PERFORATED SQUARE STEEL TUBE POST, 2 IN., 12 GA.	LF	892
903-12.71	PERFORATED SQUARE STEEL TUBE POST ANCHOR	LF	218
903-50.04	TYPE SHR2L-1 SIGN	SQFT	1124.2
903-50.09	36 IN. OR 900 MM STOP SIGN	EA	27
903-50.11	SIGN, TYPE STR2L-3	SQFT	465
903-99.03	MISC. PERFORATED SQ. STEEL TUBE POST, 2 1/2 IN	LF	1124
903-99.03	MISC. PERFORATED SQ. STEEL TUBE POST, 2 1/4 IN	LF	128
903-99.03	MISC. PERFORATED SQ. STL TUBE POST ANCHOR 3 IN	LF	258
502-99.05	MISC. * OPTION A AT ROUTE E - J8P0902	SQYD	0
506-10.30	ULTRATHIN CONCRETE WHITETOPPING	CUYD	0

ITEM	DESCRIPTION	UNIT	QUANTITY
622-10.03	COLDMILLING BITUMINOUS PAVEMENT FOR REMOVAL OF SURFACING (GREATER THAN 3 IN. THICK)	SQYD	0
622-30.10	DIAMOND GRINDING (CONCRETE PAVEMENT) * OPTION A AT HOUSTON ROAD - J8P0902	SQYD	0
502-99.05	MISC. OPTION A-HOUSTON RD CONC WIDENING	SQYD	0
613-10.10	FURNISHING AND PLACING CONCRETE MATERIAL FOR FULL DEPTH PAVEMENT REPAIR	SQYD	0
613-10.12	SUBGRADE COMPACTION (6 IN. DEPTH) (PAVEMENT REPAIR)	SQYD	0
613-10.13	TYPE 1 OR 5 AGGREGATE FOR BASE (4 IN. THICK) (PAVEMENT REPAIR)	SQYD	0
613-10.14	FULL DEPTH PAVEMENT REPAIR SAW CUT (FOR PERIMETER AND INTERNAL SAW CUTS)	LF	0
613-10.15	DOWEL BAR (DRILLING, FURNISHING AND INSTALLATION) FOR FULL DEPTH PAVEMENT REPAIR	EA	0
613-10.17	DOWEL BAR (FURNISHING AND INSTALLATION WITH BASKETS) FOR FULL DEPTH PAVEMENT REPAIR	EA	0
613-10.18	TIE BAR (DRILLING, FURNISHING AND INSTALLATION) FOR FULL DEPTH PAVEMENT REPAIR (TYPE L JOINT)	EA	0
622-10.01	COLDMILLING BITUMINOUS PAVEMENT FOR REMOVAL OF SURFACING (3 IN. THICK OR LESS)	SQYD	0
622-30.10	DIAMOND GRINDING (CONCRETE PAVEMENT)	SQYD	0
710-10.10	EPOXY COATED TIE BARS (DRILLED AND INSTALLED)	LB	0
109-99.02	MISC. 25% Share Practical Design	EA	19798.09

DESCRIPTION

DATE

MISSOURI HIGHWAYS AND TRANSPORTATION COMMISSION



105 WEST CAPITOL
 JEFFERSON CITY, MO 65102
 1-888-ASK-MODOT (1-888-275-6366)

IF A SEAL IS PRESENT ON THIS SHEET, IT HAS BEEN ELECTRONICALLY SEALED AND DATED.

PROJ. ACCEPT: *6-30-11*
 PREPARED BY: *C. Hucker*
 CHECKED BY: *Donnie Krenning 8-1-11*
 REVIEWED BY: *Donnie Krenning*
 DIST. OFFICE: *Mark St. John*
 SUPPORT CTR: *Charles Holdt*

MISSOURI HIGHWAYS AND TRANSPORTATION COMMISSION

SUMMARY OF QUANTITIES

FINAL PLANS

Drawn by: *Clayton Lee 7/11/11*
 Checked by: *Craig Hines 7-12-11*

ROUTE 5	STATE MO	DISTRICT 8	SHEET NO. 2B	*THIS MEDIA SHOULD NOT BE CONSIDERED A CERTIFIED DOCUMENT.*
JOB NO. J8P0902				
CONTRACT ID. 090626-501				
PROJECT NO. FAF-5-2(28)				
COUNTY LACLEDE				DATE _____

PAVEMENT EDGE TREATMENT				
STA	STA	LOCATION	PAVEMENT EDGE TREATMENT	REMARKS
41+34.8	651+88.35	LT	60837.2	INCL'S BRIDGE EXCEPTION
41+34.8	143+23.2	RT	10188.4	
383+00	651+88.35	RT	26888.4	
TOTAL=			97914	

PROCESS AND PLACE AGGREGATE BASE				
STA	STA	LOCATION	PROCESS & PLACE AGGR BASE	REMARKS
41+34.8	651+88.35	LT	608.35	INCL'S BRIDGE EXCEPTION
41+34.8	651+88.35	RT	608.35	INCL'S BRIDGE EXCEPTION
TOTAL=			1216.7	

PIPES AND END TREATMENTS																
SHEET	STATION	LOCATION	RCP				SAFETY SLOPE END SECTION (6:1 SLOPES)				BEVELED END TREATMENT (3:1 SLOPES)			CLASS 3 EXC. C.Y.	ROCK LINING C.Y.	REMARKS
			GROUP C													
			24" CLASS 3	30"	36"	42"	24"	30"	36"	42"	30"	36"	42"			
7	242+68.10	LT	5				1									
9	344+99.76	RT	5				1									
10	412+19.6	RT	9				1									
12	558+00.0	LT-ENT		23			1			1				15		ROCK LINING FOR BOTH PIPE OUTLETS
12	558+30.0	LT					1									END SECTION FOR EXISTING PIPE
12	559+98.9	LT-ENT			32									9		
12	565+42.0	LT-ENT								1						
	410+27	RT-ENT												5		
	413+73	RT-ENT												10		
TOTALS=			19	23	32	36	4	1	1	1	1	1	1	3	39	

SEEDING							
STA	STA	ROUTE	LOCATION	COOL SEASON ACRE	WARM SEASON ACRE	TEMPORARY SEED (20%) ACRE	REMARKS
41+34.80	651+88.35	5	LT.				
41+34.80	651+88.35	5	RT.				
TOTALS=				33.5	0	0	

EARTHWORK					
SHEET	STA	STA	CLASS A EXCAVATION CY	COMPACTING EMBANKMENT CY	REMARKS
4-14	41+34.8	651+88.35	37786.0	17360.0	
4-14	ENTRANCES		379.0	775.0	SEE ENTRANCE REMARKS
TOTALS=			38165	18135	

CONCRETE MEDIAN STRIP						
SHEET	STATION	STATION	ROUTE	LOCATION	3" S.Y.	REMARKS
7	262+54.15	262+77.22	5	RT	30.86	LOW PROFILE ISLAND
10	416+93.18	417+26.47	5	LT	65.94	LOW PROFILE ISLAND
13	589+64.54	589+71	5	RT	3.61	LOW PROFILE ISLAND
TOTAL=					100.4	

CONTRACTOR FURNISHED SURVEYING AND STAKING TOTAL = 1 LUMP SUM	WORKZONE LIGHTING TOTAL = 1 LUMP SUM	TYPE 2 FIELD LABORATORY TOTAL = 0 LUMP SUM	MOBILIZATION TOTAL = 1 LUMP SUM
--	---	---	------------------------------------

LEVEE (PAID AS INTERCEPTION DITCH)								
SHEET	STATION	STATION	LOCATION	SIDE SLOPES	TOP WIDTH	MATERIAL	100 FT.	REMARKS
12	552+65	555+79	LT.	2:1	1.0'	ROCK	3.14	BUILD FULL LENGTH TO ELEV. 1192.92 AS SHOWN ON CROSS SECTIONS
12	556+05	557+90	LT.	2:1	1.0'	ROCK	1.85	BUILD FULL LENGTH TO ELEV. 1190.36 AS SHOWN ON CROSS SECTIONS
12	558+08	559+25	LT.	3:1	2.0'	EARTH	1.17	BUILD FULL LENGTH TO ELEV. 1189.50 AS SHOWN ON CROSS SECTIONS
TOTAL=							6	

CONCRETE DITCH LINER						
SHEET	STATION	STATION	LOCATION	DEPTH	S.Y.	REMARKS
12	565+60	566+90	LT.	0.79'	128.7	EXTEND EXISTING LINER UPSTREAM TO ENTRANCE PIPE
TOTAL=					128.7	

SUMMARY SHEET
SHEET 3 OF 11

MISSOURI HIGHWAYS AND TRANSPORTATION COMMISSION

105 WEST CAPITOL
JEFFERSON CITY, MO 65102
1-888-ASK-MDOT (1-888-275-6636)

IF A SEAL IS PRESENT ON THIS SHEET IT HAS BEEN ELECTRONICALLY SEALED AND DATED.

MISSOURI HIGHWAYS AND TRANSPORTATION COMMISSION

SUMMARY OF QUANTITIES

FINAL PLANS

Drawn by: *Carl Lee* 7/11/11
 Checked by: *Craig Kuscha* 7-12-11


ROUTE 5	STATE MO	DISTRICT 8	SHEET NO. 28
JOB NO. J8P0902			
CONTRACT ID. 090626-501			
PROJECT NO. FAF-5-2(28)			
COUNTY LACLEDE			
DATE			

THIS MEDIA SHOULD NOT BE CONSIDERED A CERTIFIED DOCUMENT.

DATE	DESCRIPTION	BRIDGE NO.	DATE PREPARED

PAVEMENT QUANTITIES										
SHEET	STATION	STATION	NET LENGTH FEET	LOC	PCCP	PCCP	DIAMOND	TIE	TIE	REMARKS
					8" THK-LT	8" THK-RT	GRINDING	BAR-LT	BARS-RT	
					SQ. YD.	SQ. YD.	SQ. YD.	LBS	LBS	
4-7	41+34.80	226+87.00	18552	RTE 5	18552	18552	82454	9914	9914	INCLUDES +1.94 FT FOR TWO EQUATIONS
7	226+87.00	230+75.70	389	RTE 5	259	259	1468	260	260	WIDTH TRANSITION
7	230+75.70	238+68.70	793	RTE 5	264	264	2467	530	530	
7	238+68.70	242+57.50	389	RTE 5	259	259	1469	260	260	INCL +.98 FT FOR ONE EQUATION, WIDTH TRANS
7	242+57.50	249+50.00	693	RTE 5	693	693	3078	370	370	
7	249+50.00	253+62.40	412	RTE 5	275	275	1558	275	275	
7	253+62.40	258+54.10	492	RTE 5	164	164	1530	328	328	WIDTH TRANSITION
7	258+54.10	262+92.80	439	RTE 5	0	0	0	0	0	SEE OPTION A OR B FOR PAV'T QUANTITIES
7	262+92.80	270+73.50	781	RTE 5	0	0	0	0	0	SEE OPTION A OR B FOR PAV'T QUANTITIES
7-12	272+78.90	577+08.70	30430	RTE 5	30430	30430	135244	16262	16262	INCLUDES -2.53 FT FOR TWO EQUATIONS
12	577+08.70	578+18.70	110	RTE 5	98	98	464	59	59	WIDTH TRANSITION
12-13	578+20.00	585+41.50	722	RTE 5	561	561	2886	386	386	
13	585+41.50	596+61.50	1120	RTE 5	0	0	0	0	0	SEE OPTION A OR B FOR PAVEMENT QUANTITIES
13-14	596+61.50	639+12.40	4251	RTE 5	3306	3306	17004	2272	2272	INCLUDES +0.24 FT FOR ONE EQUATION
13-14	639+12.40	651+98.00	1286	RTE 5	1000	1000	5142	687	687	TRANS 38' TO 58' WIDE PAV'T
TOTALS=					55861	55861	254764	31602	31602	
					111722			63204	USE 63210	

MISSOURI HIGHWAYS AND TRANSPORTATION COMMISSION



105 WEST CAPITOL
JEFFERSON CITY, MO 65102
1-888-ASK-MODOT (1-888-275-6836)

SUMMARY SHEET
SHEET 4 OF 11

IF A SEAL IS PRESENT ON THIS SHEET IT HAS BEEN ELECTRONICALLY SEALED AND DATED.

MISSOURI HIGHWAYS AND TRANSPORTATION COMMISSION

SUMMARY OF QUANTITIES

FINAL PLANS

Drawn by: *David Lee 7/11/11*
 Checked by: *Craig Hocking 7-12-11*

ROUTE 5	STATE MO	DISTRICT 8	SHEET NO. 25	THIS MEDIA SHOULD NOT BE CONSIDERED A CERTIFIED DOCUMENT.
JOB NO. J8P0902				
CONTRACT ID. 090626-501				
PROJECT NO. FAF-5-2(28)				
COUNTY LACLEDE				DATE _____

SILT FENCE						
SHEET	STA.	STA.	LOCATION	SILT FENCE L.F.	SEDIMENT REMOVAL CY	REMARKS
EC4	153+70	154+75	LT.	75		
EC7	242+25	242+90	RT.	113		
EC7	249+33	250+55	RT.	113		
ECB	268+55	269+55	LT.	104		
EC8	268+50	269+55	RT.	95		
TOTALS=				500	0	

25% SHARE PRACTICAL DESIGN VALUE ENGINEERING			
CONT. LINE NO.	V.E. NO.	LOCATION	AMOUNT
5114	#2	RTE BB INTERSECTION	\$3119.05
5115	#3	HOUSTON RD	\$19798.09
5118	#4	RTE E INTERSECTION	1 L.S.

MISC. COLDMILLING		
CONTINGENT LINE NO.	LOCATION	AMOUNT
5113	RTE BB INTERSEC.	992.1 S.Y.
5117	RTE E JUNCTION	0.5 STA

MISC. CONCRETE REMOVAL	
CONTINGENT LINE NO.	AMOUNT
5111	65 S.Y.

MISC. EQUIPMENT RENTAL	
CONTINGENT LINE NO.	AMOUNT
5112	1 L.S.

MISC. CONCRETE APPROACH		
CONTINGENT LINE NO.	LOCATION	AMOUNT
5123	RTE VV	1 L.S.

MISC. EPOXY POLYMER OVERLAY REPAIR		
CONTINGENT LINE NO.	LOCATION	AMOUNT
5124	270+00 + TO 271+00 +	1 L.S.

ROUTE 5 AT ROUTE E													
STA	STA	LOCATION	CONTINGENT ITEM #								REMARKS		
			WHITETOPPING		DIAMOND GRINDING	COLDMILLING	ASPHALT	GEOSYNTHETIC INTERLAYER	TACK COAT	TRANSITION COLDMILLING			
			4" THICK	PLACEMENT								4" DEPTH	3 1/2" THK
CY	SY	SY	SY	SY	SY	GALS	SY						
254+79.1	258+54.1	NB/SB									720.0	1" TO 0" DEPTH TRANS	
258+54.1	262+77.0	RT									70.5	INCL RAD AT RTE E	
258+54.1	270+73.5	LT									203.2		
258+54.1	270+73.5	NB/SB										*4089.4	*INCL TRANS PAV'T
263+06.9	270+73.5	RT									127.8	INCL RAD AT RTE E	
268+98.5	270+73.5	NB/SB									778.0	0" TO 1" DEPTH TRANS	
TOTAL=			0	0	0	0	0	4089.4	401.5	360	1498.0		

ROUTE 5 AT HOUSTON RD																				
SHT	STA	STA	LOC	CONTINGENT ITEM #															REMARKS	
				8" NON-REINF CONC PAV'T	1 1/2" COLDMILL	DOWEL BARS		TIE BARS	FURNISH & PLACE CONCRETE	4" TYPE 1 OR 5 AGGR. FOR BASE	6" SUBGRADE COMPACTION	FULL DEPTH SAW CUT	TIE BARS DRILLED & INSTALLED	DIAMOND GRINDING	12 1/2" ASPH	1 1/2" ASPH OVERLAY	TACK COAT	TRANS COLD MILL		GEOSYNTHETIC INTERLAYER
						DRILL. FURNISH. & INSTALL	FURNISH & INSTALL W/ BASKETS													
13	583+91.5	585+41.5	NB/SB															833.5	1" TO 0" TRANS	
13	585+41.5	587+16.5	NB/SB																	
13	585+41.5	596+61.5	LT																	
13	585+41.5	596+61.5	RT																	
13	585+41.5	596+61.5	NB/SB																*INCL TRANS PAV'T	
13	587+16.5	594+86.5	LT																	
13	587+16.5	594+86.5	RT																	
13	587+16.5	594+86.5	NB/SB																	
13	594+86.5	596+61.5	NB/SB																	
13	596+61.5	598+11.5	NB/SB															833.5	0" TO 1" TRANS	
TOTAL=				0	0	0	0	0	0	0	0	0	0	0	0	6222.2	310.0	1667.0	0	

SUMMARY SHEET
SHEET 5 OF 11



MISSOURI HIGHWAYS AND TRANSPORTATION COMMISSION

SUMMARY OF QUANTITIES

Drawn by: *W. Lee* 5/26/11
 Checked by: *Keith Huddys* 5-26-11

ROUTE 5	STATE MO	DISTRICT 8	SHEET NO. 28	*THIS MEDIA SHOULD NOT BE CONSIDERED A CERTIFIED DOCUMENT.*
JOB NO. J8P0902				
CONTRACT ID. 090626-501				
PROJECT NO. FAF-5-2(28)				
COUNTY LACLEDE				DATE


3 OR 4 STRAND HIGH TENSION GUARD CABLE

SHEET	BEG. STA.	END STA.	TOTAL LENGTH		ADJUSTED FOR ANCHORS		END ANCHORS
			RT. SIDE	LT. SIDE	RT. SIDE	LT. SIDE	
4	42+34.50	79+94.50	3760		3700		2
4	46+94.00	79+88.50		3294.5		3235	2
4-5	94+74.50	133+99.50	3925		3865		2
4-5	96+44.00	118+19.00		2175		2115	2
5	123+22.50	130+04.00		681.5		622	2
5	137+71.50	159+35.00	2163.5		2104		2
5	138+15.00	152+12.00		1397		1337	2
5	154+31.00	160+81.00		650		590	2
5-6	162+23.00	167+28.50	505.5		446		2
6	165+24.00	170+24.00		500		440	2
6	171+81.50	185+69.00	1387.5		1328		2
6	174+02.00	178+02.00		400		340	2
6	184+11.50	187+99.00		387.5		328	2
6	192+32.00	202+07.00		975		915	2
6	201+87.00	207+87.00	600		540		2
6	205+18.50	210+93.50		575		515	2
6-7	220+91.50	224+79.00		387.5		328	2
7	249+35.00	261+50.00	1215		1155		2
7	249+64.00	266+53.00		1689		1629	2
7	Use GR at Goodwin Hollow Bridge						
7-8	277+58.00	282+50.00		492		432	2
8	283+80.50	292+23.00	842.5		783		2
8	285+80.25	296+17.75		1037.5		978	2
8	301+57.50	306+07.50	450		390		2
8	303+46.25	309+33.75		587.5		528	2
8	315+50.00	322+34.00	684		624		2
8	317+82.00	326+07.00		825		765	2
9	347+07.00	351+24.00	417		357		2
9	349+03.00	359+83.50		1080.5		1021	2
9	351+79.00	359+96.00	817		757		2
9	368+54.50	375+29.50		675		615	2
9	388+33.50	395+96.00	762.5		703		2
9	391+49.00	397+34.00		585		525	2
10	411+14.50	416+08.00		493.5		434	2
10	419+37.90	426+75.40		737.5		678	2
11	472+26.50	491+14.00	1887.5		1828		2
11	474+49.50	494+62.00		2012.5		1953	2
11	500+09.00	507+71.50	762.5		703		2
11	503+43.00	511+57.00		814		754	2
12	533+84.50	540+59.50		675		615	2
12	548+27.00	551+91.00		364		304	2
12	552+26.50	555+69.50		343		283	2
12	564+23.50	570+11.00	587.5		528		2
12	567+22.00	573+91.50		669.5		610	2
12	574+23.50	578+85.00	461.5		402		2
13	620+59.00	626+79.00	620		560		2
13	624+86.00	630+11.00		525		465	2
14	649+18.50	652+21.00	302.5		243		2
			Subtotals=		21,011	23,349	94
			Totals=		44,360		94

TURN ARROWS

SHEET	STA	LOCATION	ARROW DIRECTION		NO. ARROWS
			Left	Right	
1	42+17	LT	1		1
1	42+92	LT	1		1
1	44+17	LT	1		1
4	133+18	RT	1		1
4	135+38	RT	1		1
4	136+63	RT	1		1
4	138+53	LT	1		1
4	139+78	LT	1		1
4	141+98	LT	1		1
6	215+94	RT	1		1
6	218+14	RT	1		1
6	219+39	RT	1		1
7	221+30	LT	1		1
7	222+55	LT	1		1
7	224+75	LT	1		1
7	244+91	RT	1		1
7	247+10	RT	1		1
7	248+35	RT	1		1
8	260+33	RT		1	1
8	262+26	RT		1	1
8	263+28	LT	1		1
8	265+07	LT	1		1
8	267+77	LT	1		1
8	272+70	RT	1		1
11	274+90	RT	1		1
11	276+15	RT	1		1
11	352+36	LT	1		1
13	353+61	LT	1		1
13	355+81	LT	1		1
13	410+65	LT	2		2
16	414+47	RT	1		1
16	415+72	RT	1		1
16	497+36	LT	1		1
18	498+61	LT	1		1
18	500+80	LT	1		1
18	572+26	RT	1		1
19	574+46	RT	1		1
19	575+71	RT	1		1
19	586+50	LT	1	1	2
19	590+42	LT	1		1
19	591+67	LT	1		1
19	592+43	LT	1		1
19	599+00	LT	1	1	2
20	604+00	LT	1	1	2
20	609+00	LT	1	1	2
20	614+00	LT	1	1	2
20	619+00	LT	1	1	2
20	624+00	LT	1	1	2
20	629+00	LT	1	1	2
21	634+00	LT	1	1	2
21	639+00	LT	1	1	2
21	644+00	RT	1	1	2
21	649+00	RT	1	1	2
21	654+00	RT	1	1	2
TOTALS=			53	15	68
FINAL PAY=					68

DATE	DESCRIPTION	BRIDGE NO.	DATE PREPARED



MISSOURI HIGHWAYS AND TRANSPORTATION COMMISSION
 105 WEST CAPITOL
 JEFFERSON CITY, MO 65102
 1-888-ASK-MDOT (1-888-275-6636)

MISSOURI HIGHWAYS AND TRANSPORTATION COMMISSION

SUMMARY OF QUANTITIES

FINAL PLANS

Drawn by: *Chris O'Brien 7/11/11*
 Checked by: *Craig Hackett 7-12-11*

ROUTE 5	STATE MO	DISTRICT 8	SHEET NO. 28	*THIS MEDIA SHOULD NOT BE CONSIDERED A CERTIFIED DOCUMENT.*
JOB NO. J8P0902				
CONTRACT ID. 090626-501				
PROJECT NO. FAF-5-2(28)				
COUNTY LACLEDE				DATE _____

STA	STA	LOC	SHEET	TYPE	WET REFL SOLID 6 IN WHITE L.F.	CONTRAST STRIPE L.F.	SOLID 6 IN WHITE L.F.	WET REFL SOLID 4 IN YELLOW L.F.	WET REFL INT 4 IN YELLOW L.F.	SOLID 6 IN YELLOW L.F.	SOLID 24 IN HASH L.F.	CONCRETE		REMARKS
												CL RUMBLE STRIP STA.	SH RUMBLE STRIP STA.	
												CL RUMBLE STRIP STA.	SH RUMBLE STRIP STA.	
41+34.8	220+14.0	LT	PM1-PM6	SINGLE			17879.2						142.5	
41+34.8	262+76.0	RT	PM1-PM8	SINGLE			22141.2						185.1	
42+17.0	46+52.0	LT	PM1	SINGLE	435.0									
42+17.0	48+66.0	CL	PM1	DOUBLE						1298.0		6.0		*
42+17.0	48+66.0	CL	PM1	DOUBLE						1298.0				*
48+66.0	131+08.0	CL	PM1-3	DOUBLE						16484.0		81.1		*
48+66.0	131+08.0	CL	PM1-3	DOUBLE						16484.0		81.1		*
48+67.0	52+00.0	CL	PM1								72			
52+57.0	122+78.0	RT	PM1-PM3	SINGLE	1755.3	1755.3								
123+50.0	131+08.0	CL	PM3								170			
131+08.0	137+38.0	CL	PM3-PM4	DOUBLE						1260.0		5.8		*
131+08.0	137+38.0	CL	PM3-PM4	DOUBLE						1260.0				*
133+03.0	137+38.0	RT	PM4	SINGLE	435.0									
137+78.0	142+13.0	LT	PM4	SINGLE	435.0									
137+78.0	144+00.0	CL	PM4	DOUBLE						1244.0		5.7		*
137+78.0	144+00.0	CL	PM4	DOUBLE						1244.0				*
144+00.0	151+25.0	CL	PM4								175			
144+00.0	213+26.0	CL	PM4-PM6	DOUBLE						13852.0		68		*
144+00.0	213+26.0	CL	PM4-PM6	DOUBLE						13852.0		68		*
152+30.0	209+36.0	LT	PM4-PM6	SINGLE	1426.5	1426.5								
210+20.0	213+26.0	CL	PM6								82			
213+26.0	220+14.0	CL	PM6	DOUBLE						1376.0		6.4		*
213+26.0	220+14.0	CL	PM6	DOUBLE						1376.0				*
215+79.0	220+14.0	RT	PM6	SINGLE	435.0									
220+56.0	224+91.0	LT	PM6-PM7	SINGLE	435.0									
220+56.0	226+87.0	CL	PM6-PM7	DOUBLE						1262.0		5.8		*
220+56.0	226+87.0	CL	PM6-PM7	DOUBLE						1262.0				*
220+85.0	415+88.0	LT	PM6-PM13	SINGLE			19503.0						158.7	
226+87.0	230+00.0	CL	PM7								84			
226+87.0	242+59.0	CL	PM7	DOUBLE						3144.0		14.4		*
226+87.0	242+59.0	CL	PM7	DOUBLE						3144.0		14.4		*
240+00.0	242+59.0	CL	PM7								75			
242+59.0	249+10.0	CL	PM7	DOUBLE						1302.0		6.0		*
242+59.0	249+10.0	CL	PM7	DOUBLE						1302.0				*
244+75.0	249+10.0	RT	PM7	SINGLE	435.0									
249+36.0	253+50.0	CL	PM7-PM8								122			
249+36.0	262+62.0	CL	PM7-PM8	DOUBLE						2652.0		12.3		*
249+50.0	262+76.0	CL	PM7-PM8	DOUBLE						2652.0		12.3		*
259+20.0	262+76.0	CL	PM8								103			
260+33.0	262+76.0	RT	PM8	SINGLE	243.0									
263+07.0	267+92.0	LT	PM8	SINGLE	485.0									
263+07.0	270+08.0	CL	PM8	DOUBLE						1402.0				*
263+07.0	270+08.0	CL	PM8	DOUBLE						1482.0		6.5		*
263+07.0	645+95.8	RT	PM8-PM21	SINGLE									348.7	
263+07.0	657+48.2	RT	PM8-PM21	SINGLE			39441.2							
270+08.0	270+08.0	CL	PM8								38			
270+08.0	276+90.0	CL	PM8	DOUBLE						1364.0		3.6		*
270+48.0	276+90.0	CL	PM8	DOUBLE						1284.0				*
272+55.0	276+90.0	RT	PM8	SINGLE	435.0									
277+18.0	281+00.0	CL	PM8								114			
277+18.0	351+02.0	CL	PM8-PM11	DOUBLE						14768.0		72.8		*
277+32.0	351+16.0	CL	PM8-PM11	DOUBLE						14768.0		72.8		*
281+52.0	343+10.0	RT	PM8-PM11	SINGLE	1539.5	1539.5								
344+45.0	351+16.0	CL	PM11								164			
351+61.0	355+96.0	LT	PM11	SINGLE	435.0									
351+61.0	358+24.0	CL	PM11	DOUBLE						1326.0		6.1		*
351+61.0	358+24.0	CL	PM11	DOUBLE						1326.0				*

DATE	DESCRIPTION	BRIDGE NO.	DATE PREPARED

* CENTERLINE DOUBLE YELLOW STRIPES ARE LISTED TWICE TO ACCOUNT FOR 2 SETS OF DOUBLE LINES IN THE MEDIAN
 NOTE: SHOULDER RUMBLE STRIP SUBTOTAL AND TOTAL INCLUDES DEDUCTION FOR GAPS AT ENTRANCES AND INTERSECTIONS

IF A SEAL IS PRESENT ON THIS SHEET IT HAS BEEN ELECTRONICALLY SEALED AND DATED.



105 WEST CAPITOL
JEFFERSON CITY, MO 65102
1-888-ASK-MDOT (1-888-275-6636)

MISSOURI HIGHWAYS AND TRANSPORTATION COMMISSION

SUMMARY OF QUANTITIES

FINAL PLANS

Drawn by: *Cliff O'Leary 7/11/11*
 Checked by: *Craig Hochstetler 7-11-12*

ROUTE 5	STATE MO	DISTRICT 8	SHEET NO. 28	*THIS MEDIA SHOULD NOT BE CONSIDERED A CERTIFIED DOCUMENT.*
JOB NO. J8P0902				
CONTRACT ID. 090626-501				
PROJECT NO. FAF-5-2(28)				
COUNTY LACLEDE				DATE _____

STRIPING AND RUMBLE STRIPS CON'T.															
STA	STA	LOC	SHEET	TYPE	WET REFL SOLID 6 IN WHITE	CONTRAST STRIPE	SOLID 6 IN WHITE	WET REFL SOLID 4 IN YELLOW	WET REFL INT 4 IN YELLOW	SOLID 6 IN YELLOW	SOLID 24 IN HASH	CONCRETE		REMARKS	
												CL RUMBLE STRIP	SH RUMBLE STRIP		
					L.F.	L.F.	L.F.	L.F.	L.F.	L.F.	L.F.	STA.	STA.		
358+24.0	363+50.0	CL	PM11												
358+24.0	409+63.0	CL	PM11-PM13	DOUBLE						10278.0	164	50.1		*	
358+24.0	409+63.0	CL	PM11-PM13	DOUBLE						10278.0		50.1		*	
366+54.0	405+73.0	LT	PM12-PM13	SINGLE	979.8	979.8									
406+00.0	409+63.0	CL	PM13								69				
409+63.0	416+47.0	CL	PM13	DOUBLE						1368.0		6.3		*	
409+63.0	416+47.0	CL	PM13	DOUBLE						1368.0				*	
411+62.0	416+47.0	RT	PM13	SINGLE	485.0										
416+92.0	420+50.0	CL	PM13								96				
416+92.0	496+19.0	CL	PM13-PM16	DOUBLE						15854.0		78.3			
416+92.0	645+95.8	LT	PM13-PM21	SINGLE									194.7		
416+92.0	657+48.2	LT	PM13-PM21	SINGLE			24056.2								
417+06.0	496+33.0	CL	PM13-PM16	DOUBLE						15854.0		78.3			
421+16.0	487+58.0	RT	PM13-PM15	SINGLE	1660.5	1660.5									
488+00.0	496+33.0	CL	PM15-PM16								164				
496+60.0	500+95.0	LT	PM16	SINGLE	435.0										
496+60.0	503+03.0	CL	PM16	DOUBLE						1286.0		5.9		*	
496+60.0	503+03.0	CL	PM16	DOUBLE						1286.0				*	
503+03.0	510+75.0	CL	PM16								177				
503+03.0	569+94.0	CL	PM16-PM18	DOUBLE						13382.0		66.4		*	
503+03.0	569+94.0	CL	PM16-PM18	DOUBLE						13382.0		65.6		*	
511+33.0	566+04.0	LT	PM16-PM18	SINGLE	1367.8	1367.8									
566+50.0	569+94.0	CL	PM18								82				
569+94.0	576+46.0	CL	PM18	DOUBLE						1304.0		6.0		*	
569+94.0	576+46.0	CL	PM18	DOUBLE						1304.0				*	
572+11.0	576+46.0	RT	PM18	SINGLE	435.0										
576+73.0	589+37.0	TWL TL	PM18-PM19	DOUBLE				2528.0	632.0						
589+67.0	592+57.0	LT	PM19	SINGLE	290.0										
589+67.0	595+00.0	CL	PM19	DOUBLE				1066.0							
595+00.0	618+44.0	TWL TL	PM19-PM20	DOUBLE				4688.0	1172.0						
618+87.0	619+72.0	LT	PM20	SINGLE	85.0										
618+87.0	620+98.0	CL	PM20	DOUBLE				422.0							
620+72.0	622+83.0	CL	PM20	DOUBLE				422.0							
621+98.0	622+83.0	RT	PM20	SINGLE	85.0										
623+14.0	626+90.0	TWL TL	PM20	DOUBLE				752.0	188.0						
627+20.0	629+20.0	LT	PM20	SINGLE	200.0										
627+20.0	630+20.0	CL	PM20	DOUBLE				600.0							
630+20.0	657+48.2	TWL TL	PM20-PM21	DOUBLE				5456.3	1364.1						
SUBTOTALS=					14952.4	8729.4	123020.8	15934.3	3356.1	212412.0	1951	956.1	1029.7		
TOTALS=					14953	8730	123021	15934	3356	212412	1951	956.1	1029.7		

* CENTERLINE DOUBLE YELLOW STRIPES ARE LISTED TWICE TO ACCOUNT FOR 2 SETS OF DOUBLE LINES IN THE MEDIAN
 NOTE: SHOULDER RUMBLE STRIP SUBTOTAL AND TOTAL INCLUDES DEDUCTION FOR GAPS AT ENTRANCES AND INTERSECTIONS

GUARDRAIL											
SHEET	STA	STA	RTE	LOC	TYPE A	TRANSITION	BRIDGE ANCHOR	TYPE A	END	END	REMARKS
					GUARD RAIL	SECTION (6')	SECTION	CRASHWORTHY TERMINAL	ANCHOR	SECTION	
					LF	EA	EA	EA	EA	EA	
7	265+79.25	270+50.00	5	RT	400	1	1	1			
7	269+09.00	270+73.50	5	LT	159.25	1	1			1	Includes guardrail wrap at field entrance
7	272+79.50	281+06.50	5	RT	800	1	1	1			
7	273+00.50	277+00.00	5	LT	394.25	1	1			1	Includes guardrail wrap at Knoll Road
TOTALS=1753.5 USE 1754					4	4	4	2	0	2	NOTE: NO DIRECT PAY FOR DELINEATORS OR END SECTIONS

SUMMARY SHEET
SHEET 10 OF 11

IF A SEAL IS PRESENT ON THIS SHEET IT HAS BEEN ELECTRONICALLY SEALED AND DATED.

MISSOURI HIGHWAYS AND TRANSPORTATION COMMISSION

SUMMARY OF QUANTITIES

FINAL PLANS

Drawn by: Keith Maddux 07-07-11

Checked by: *C. H. H. H.* 7-12-11

ROUTE 5	STATE MO	DISTRICT 8	SHEET NO. 2B
JOB NO. J8P0902			
CONTRACT ID. 090626-501			
PROJECT NO. FAF-5-2 (28)			
COUNTY LACLEDE			
DATE			

THIS MEDIA SHOULD NOT BE CONSIDERED A CERTIFIED DOCUMENT.

TYPE A3 SHOULDER							
SHEET	STA	STA	LOCATION	WIDTH	LENGTH	SY	REMARKS
				LF	LF		
4	41+34.8	79+96.3	LT	6	3861.5	2574.3	
4	41+34.8	80+02.2	RT	6	3867.4	2578.3	
4-5	80+70.0	136+92.7	RT	6	5622.7	3748.5	
4-5	80+73.5	137+43.5	LT	6	5670.0	3780.0	
5-6	137+63.7	219+89.0	RT	6	8225.3	5483.5	
5-6	138+08.3	220+07.4	LT	6	8199.1	5466.1	
6-7	220+51.4	262+81.0	RT	6	4280.6	2853.7	INCL. RADIUS
6-7	220+81.9	270+73.5	LT	6	4991.6	3327.7	
7	263+11.9	270+73.5	RT	6	825.4	550.3	INCL. RADIUS
7	272+78.9	276+82.2	LT	6	403.3	268.9	
7-9	272+78.9	351+19.1	RT	6	7840.2	5226.8	
7-8	277+50.6	330+50.5	LT	6	5299.9	3533.3	
8-10	331+22.2	402+48.6	LT	6	7126.4	4750.9	
9	351+83.1	398+41.3	RT	6	4658.2	3105.5	
9-10	399+11.9	442+34.1	RT	6	4322.2	2881.5	
10	403+15.7	415+89.7	LT	6	1274.0	849.3	
10	417+86.4	442+48.9	LT	6	2462.5	1641.7	
10	443+01.6	496+00.5	RT	6	5298.9	3532.6	
10	443+17.0	511+53.9	LT	6	6836.9	4557.9	
11-12	496+68.3	549+72.4	RT	6	5304.1	3536.1	
11-12	512+23.5	576+24.6	LT	6	6401.1	4267.4	
12-13	550+40.4	585+41.5	RT	6	3501.1	2334.1	
12-13	576+24.6	585+41.5	LT	6	916.9	611.3	
13	596+61.5	618+26.6	RT	6	2165.1	1443.4	
13	606+69.5	612+59.3	LT	6	589.8	393.2	
13	613+19.9	622+74.3	LT	6	954.4	636.3	
13	619+07.2	626+83.3	RT	6	776.1	517.4	
13-14	623+22.1	652+10.6	LT	6	2888.5	1925.7	
13-14	627+29.5	652+10.6	RT	6	2481.1	1654.1	
	585+41.5	596+61.5	LT	3	1120.0	373.3	
	585+41.5	589+24	RT	3	382.5	127.5	
	589+77.7	596+61.5	RT	3	683.8	227.9	
	596+61.5	609+91	LT	6	929.5	619.7	
TOTAL =					79378.2		

STRIPE REMOVAL								
SHEET	STA	STA	LOCATION	6" Yellow	4" Yellow	6" White	24" Yellow	REMARKS
				LF	LF	SY	LF	
PM1	+17	+37	Olathe Dr.	80		20		
PM4	+23	+38	Olathe Dr.	60		15		
PM4	+78	+88	Olathe Dr.	40		10		
PM6	+04	+14	Route VV	40		10		
PM6	+56	+66	Route VV	40		10		
PM7	+92	+10	Olathe Rd.	72		18		
PM7	+36	+54	Olathe Rd.	72			18	
PM8	+61	+76	Route E	60			18	
PM8	+07	+22	Route E	60		15		
PM8	+80	+90	Knoll Rd.	40		10		
PM8	+18	+38	Knoll Rd.	80			20	
PM11	+61	+76	Old Rte. 5 Co. Rd.	60		15		
PM13	+32	+47	Route BB	60		15		
PM16	+18	+33	Independence Rd.					
PM16	+60	+75	Independence Rd.	60		15		
PM18	+30	+46	Hemlock Rd.	64		16		
PM18	+73	+57	Hemlock Rd.		52			
PM19	+17	+37	Houston Rd.		60			
PM19	+67	+77	Houston Rd.		20	10		
PM20	+36	+44	Grand Lake Cir.		16			
PM20	+87	+95	Grand Lake Cir.		16	8		
PM20	+68	+83	CR 211		30	15		
PM20	+14	+29	CR 211		50			
PM20	+75	+90	Lake Shore Rd.		50			
PM20	+20	+35	Lake Shore Rd.		30	15		
	270+	272+	Rte. 5		455			
	610+	625+	Grand Lake Cir.		3105			
	416+	650+	Rte. 5		22812			
Subtotals				888	26696	217	56	
FINAL PAY TOTAL =				27857				

DESCRIPTION	BRIDGE NO.	DATE	DATE PREPARED

MISSOURI HIGHWAYS AND TRANSPORTATION COMMISSION

105 WEST CAPITOL
JEFFERSON CITY, MO 65102
1-888-ASK-MODOT (1-888-275-6636)

ROUTE	STATE	DISTRICT	SHEET NO.
5	MO	8	4
JOB NO. J8P0902			
CONTRACT ID. 090626-501			
PROJECT NO. FAF-5-2(28)			
COUNTY LACLEDE			
			DATE

"THIS MEDIA SHOULD NOT BE CONSIDERED A CERTIFIED DOCUMENT."

FINAL PLANS

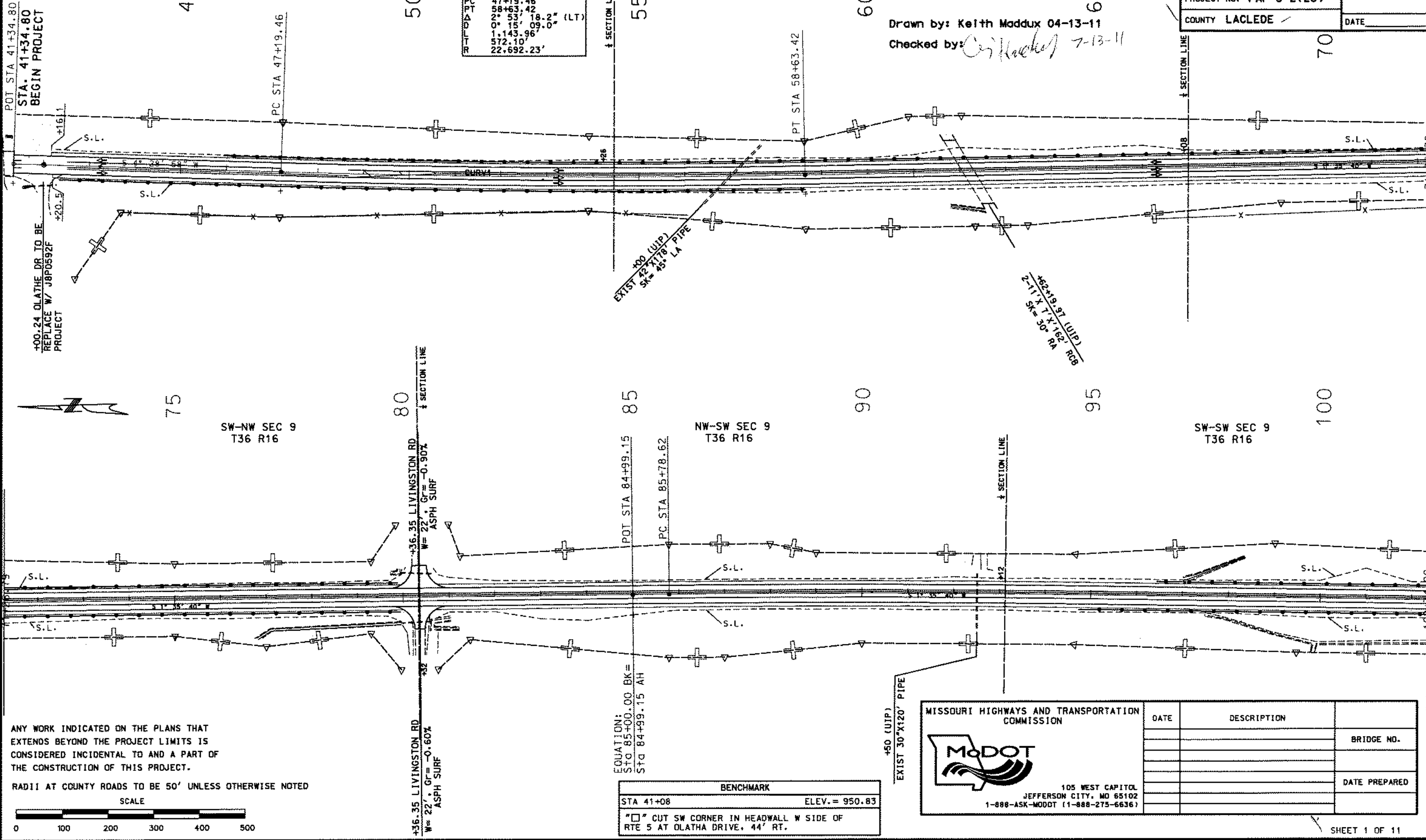
NW-NW SEC 9
T36 R16

NW-NW SEC 9
T36 R16

Drawn by: Keith Maddux 04-13-11

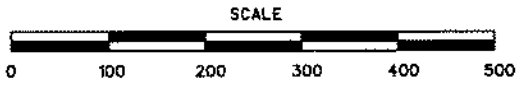
Checked by: *C. H. Hatcher* 7-13-11

CURVE	
PI	52+91.56
PC	47+19.46
PT	58+63.42
CL	52+91.56 (LT)
CB	1-1.43' / 98.08' O.C.
CR	172.40'
CA	22.692.23'



ANY WORK INDICATED ON THE PLANS THAT EXTENDS BEYOND THE PROJECT LIMITS IS CONSIDERED INCIDENTAL TO AND A PART OF THE CONSTRUCTION OF THIS PROJECT.

RADIUS AT COUNTY ROADS TO BE 50' UNLESS OTHERWISE NOTED



BENCHMARK

STA 41+08	ELEV. = 950.83
-----------	----------------

"□" CUT SW CORNER IN HEADWALL W SIDE OF RTE 5 AT OLATHE DRIVE, 44' RT.

MISSOURI HIGHWAYS AND TRANSPORTATION COMMISSION



105 WEST CAPITOL
JEFFERSON CITY, MO 65102
1-888-ASK-MODOT (1-888-275-6636)

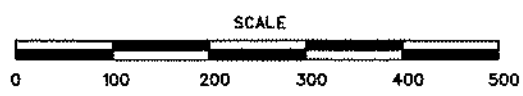
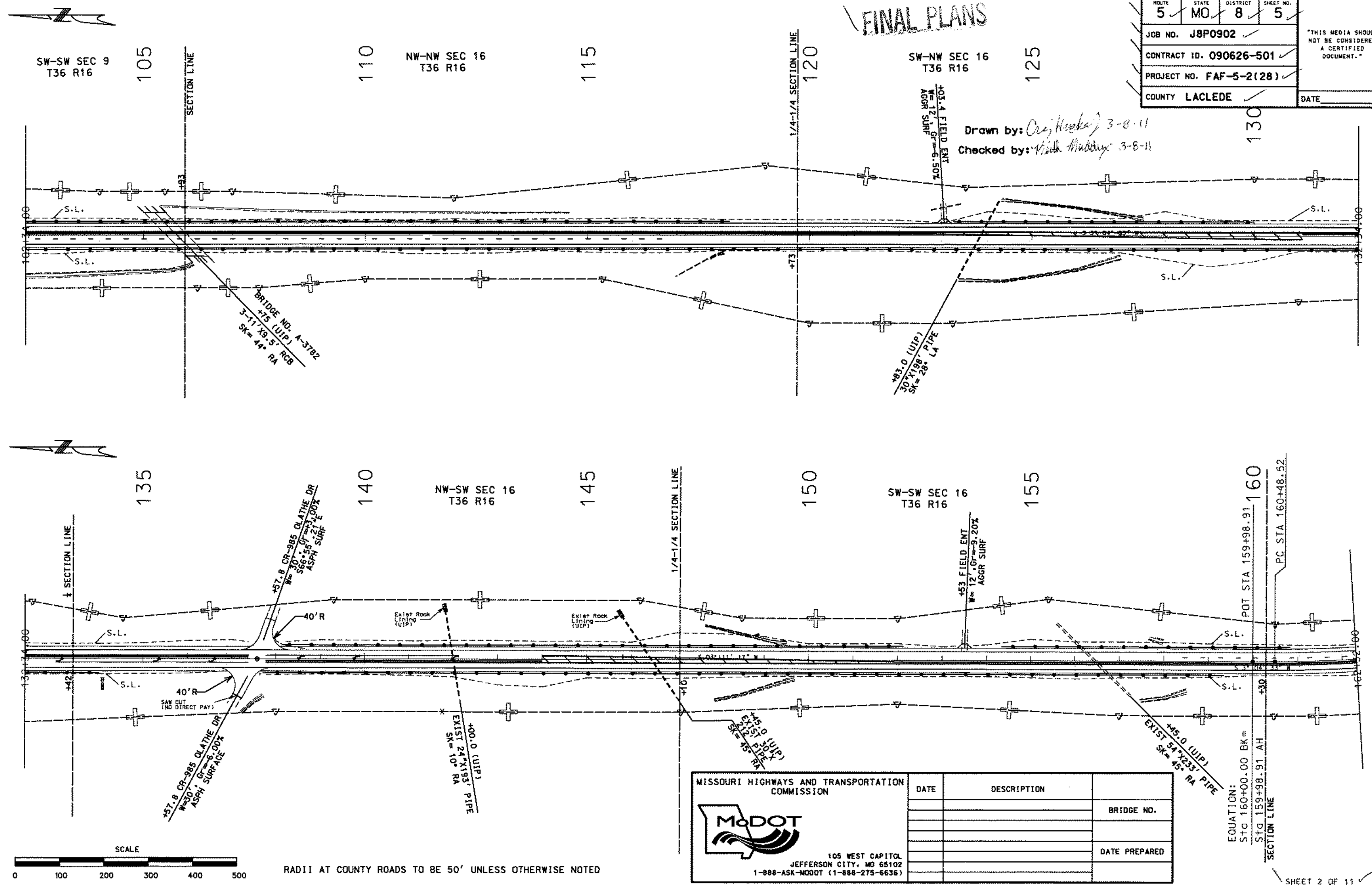
DATE	DESCRIPTION	BRIDGE NO.

FINAL PLANS

ROUTE	STATE	DISTRICT	SHEET NO.
5	MO	8	5
JOB NO. J8P0902			
CONTRACT ID. 090626-501			
PROJECT NO. FAF-5-2(28)			
COUNTY LACLEDE			
DATE			

THIS MEDIA SHOULD NOT BE CONSIDERED A CERTIFIED DOCUMENT.

Drawn by: *Craig Hooker* 3-8-11
 Checked by: *Keith Maddy* 3-8-11



RADI AT COUNTY ROADS TO BE 50' UNLESS OTHERWISE NOTED

MISSOURI HIGHWAYS AND TRANSPORTATION COMMISSION

105 WEST CAPITOL
 JEFFERSON CITY, MO 65102
 1-888-ASK-MODOT (1-888-275-6636)

DATE	DESCRIPTION	BRIDGE NO.

DATE PREPARED

EQUATION:
 STG 160+00.00 BK =
 STG 159+98.91 AH
 SECTION LINE
 POT STA 159+98.91
 PC STA 160+48.52

IF A SEAL IS PRESENT ON THIS SHEET IT HAS BEEN ELECTRONICALLY SEALED AND DATED.

Drawn by: Keith Maddux 04-13-11

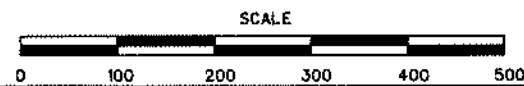
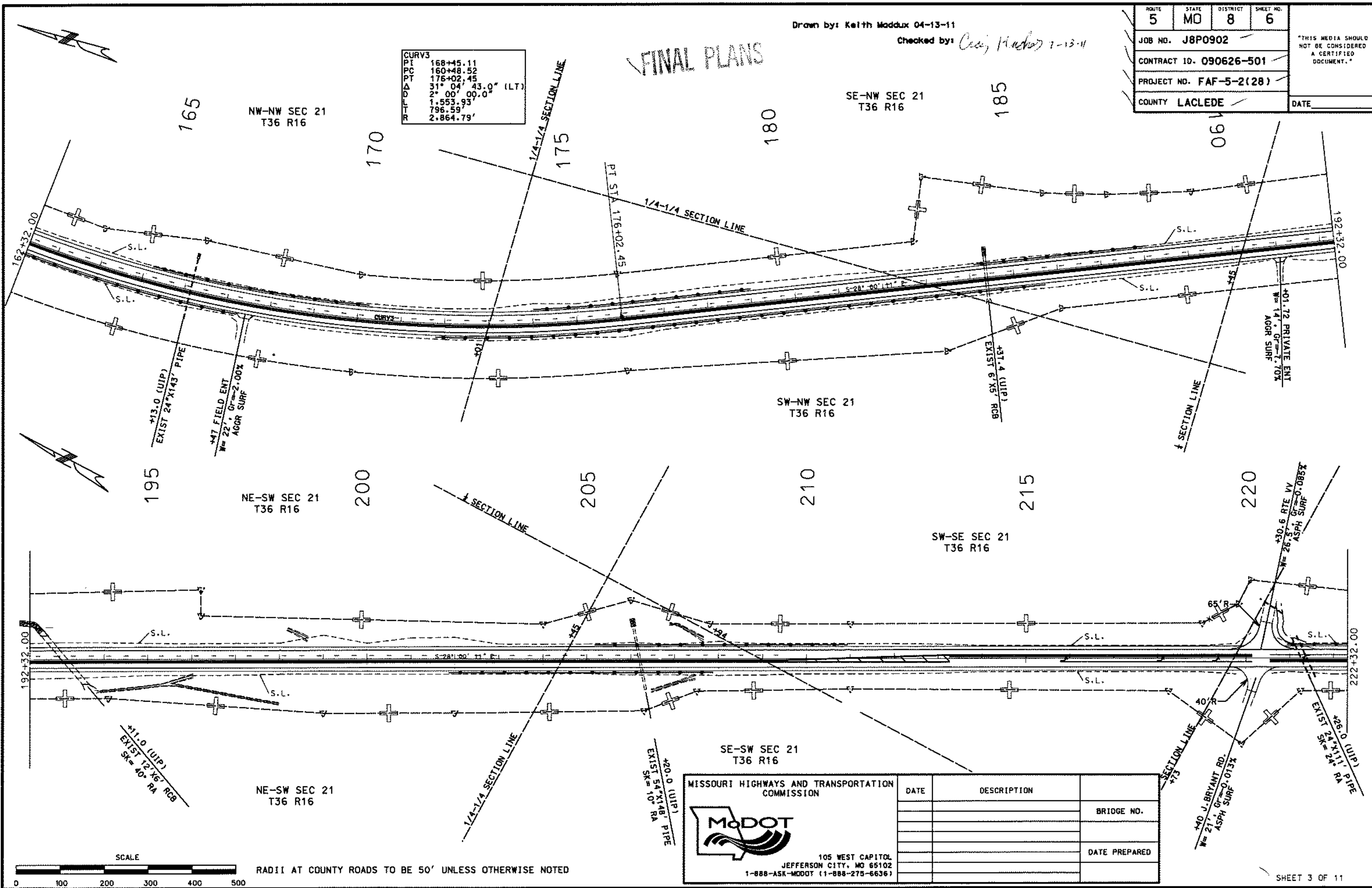
Checked by: *Craig Mackay* 7-13-11

ROUTE	STATE	DISTRICT	SHEET NO.
5	MO	8	6
JOB NO. J8P0902			
CONTRACT ID. 090626-501			
PROJECT NO. FAF-5-2(28)			
COUNTY LACLEDE			
DATE			

"THIS MEDIA SHOULD NOT BE CONSIDERED A CERTIFIED DOCUMENT."

CURV3	
PI	168+45.11
PC	160+48.52
PT	176+02.45
Δ	31° 04' 43.0" (LT)
Δ	2° 00' 00.0"
Δ	1.553.93'
Δ	796.59'
Δ	2.864.79'

FINAL PLANS



RADIi AT COUNTY ROADS TO BE 50' UNLESS OTHERWISE NOTED

MISSOURI HIGHWAYS AND TRANSPORTATION COMMISSION

105 WEST CAPITOL
JEFFERSON CITY, MO 65102
1-888-ASK-MODOT (1-888-275-6636)

DATE	DESCRIPTION	BRIDGE NO.

DATE PREPARED

IF A SEAL IS PRESENT ON THIS SHEET IT HAS BEEN ELECTRONICALLY SEALED AND DATED.

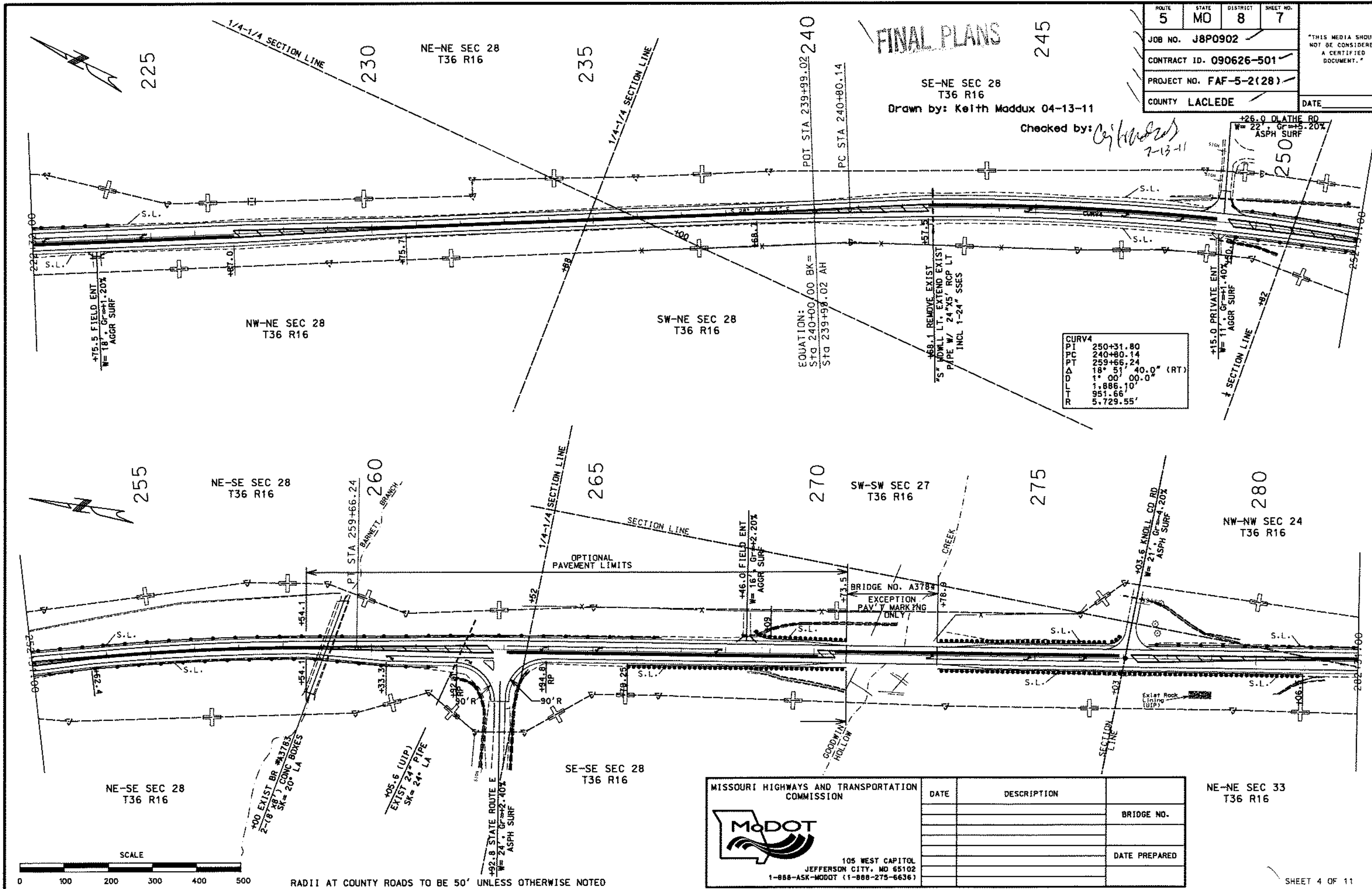
ROUTE	STATE	DISTRICT	SHEET NO.
5	MO	8	7
JOB NO. J8P0902			
CONTRACT ID. 090626-501			
PROJECT NO. FAF-5-2(28)			
COUNTY LACLEDE			
			DATE

THIS MEDIA SHOULD NOT BE CONSIDERED A CERTIFIED DOCUMENT.

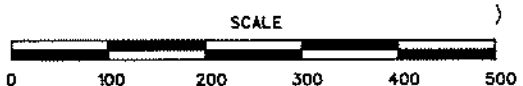
FINAL PLANS 245

SE-NE SEC 28
T36 R16
Drawn by: Keith Maddux 04-13-11

Checked by: *[Signature]*
7-13-11



CURV4	
PI	250+31.80
PC	240+80.14
PT	259+66.24
Δ	18° 53' 40.0" (RT)
Δ	1° 00' 00.0"
Δ	1,886.10'
Δ	951.66'
Δ	5,729.55'



RADI AT COUNTY ROADS TO BE 50' UNLESS OTHERWISE NOTED

MISSOURI HIGHWAYS AND TRANSPORTATION COMMISSION

105 WEST CAPITOL
JEFFERSON CITY, MO 65102
1-888-ASK-MODOT (1-888-275-6636)

DATE	DESCRIPTION

NE-NE SEC 33
T36 R16

IF A SEAL IS PRESENT ON THIS SHEET IT HAS BEEN ELECTRONICALLY SEALED AND DATED.

Drawn by: Keith Maddux 04-13-11

Checked by: *Craig H. Weber* 7-13-11

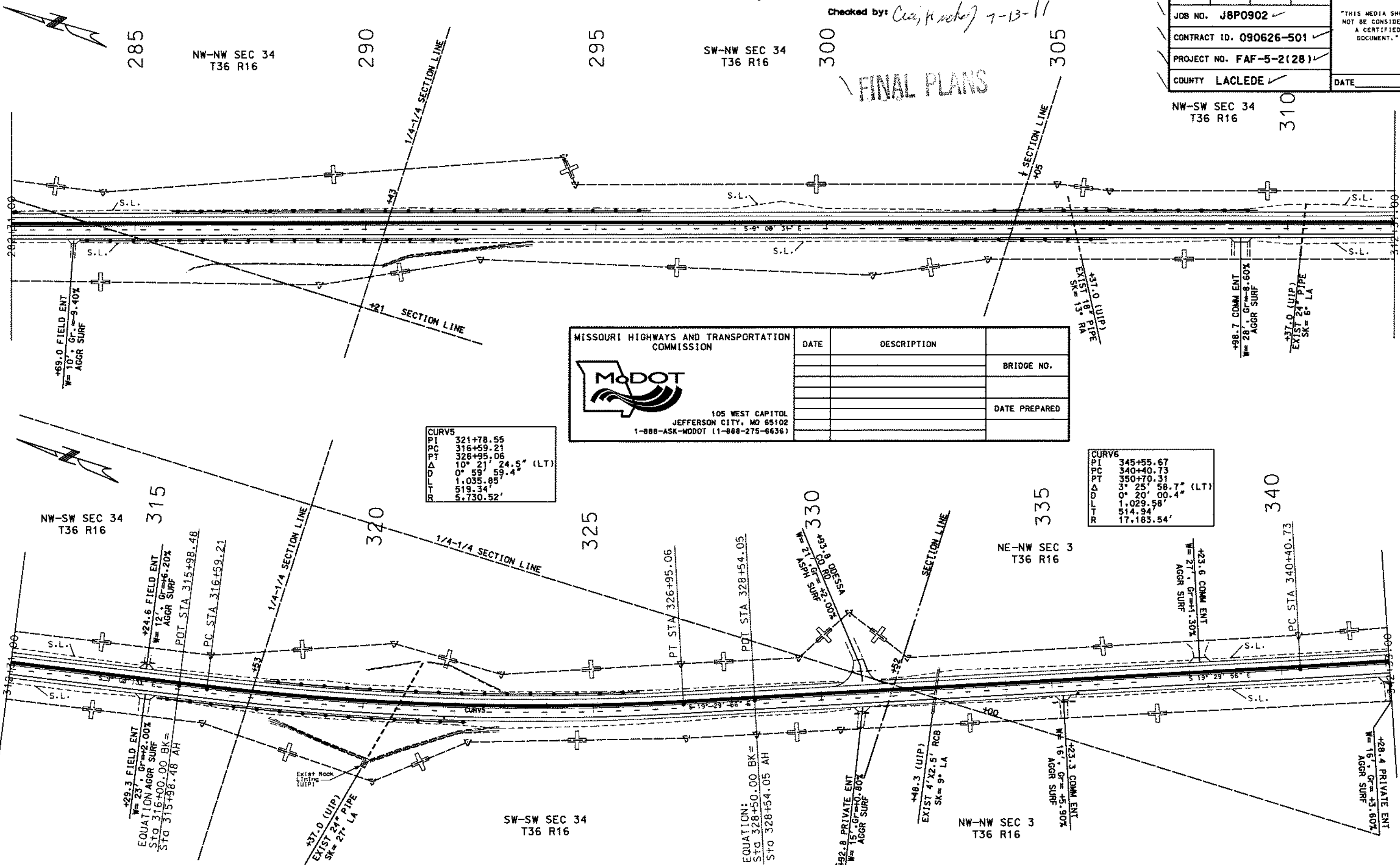
ROUTE	STATE	DISTRICT	SHEET NO.
5	MO	8	8
JOB NO. J8P0902 ✓			
CONTRACT ID. 090626-501 ✓			
PROJECT NO. FAF-5-2(28) ✓			
COUNTY LACLEDE ✓			
			DATE

"THIS MEDIA SHOULD NOT BE CONSIDERED A CERTIFIED DOCUMENT."


SW-NW SEC 34
T36 R16

FINAL PLANS

NW-SW SEC 34
T36 R16



MISSOURI HIGHWAYS AND TRANSPORTATION COMMISSION



105 WEST CAPITOL
JEFFERSON CITY, MO 65102
1-888-ASK-MODOT (1-888-275-6636)

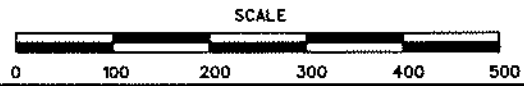
DATE	DESCRIPTION	BRIDGE NO.	DATE PREPARED

CURVE 5

PT	321+78.55
PC	316+59.21
PT	326+95.06
Δ	10° 21' 24.5" (LT)
D	0° 59' 59.4"
L	1,035.85'
T	519.34'
R	5,730.52'

CURVE 6

PT	345+55.67
PC	340+40.73
PT	350+70.33
Δ	3° 25' 58.7" (LT)
D	0° 20' 00.4"
L	1,029.58'
T	514.94'
R	17,183.54'



RADI AT COUNTY ROADS TO BE 50' UNLESS OTHERWISE NOTED

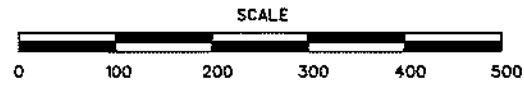
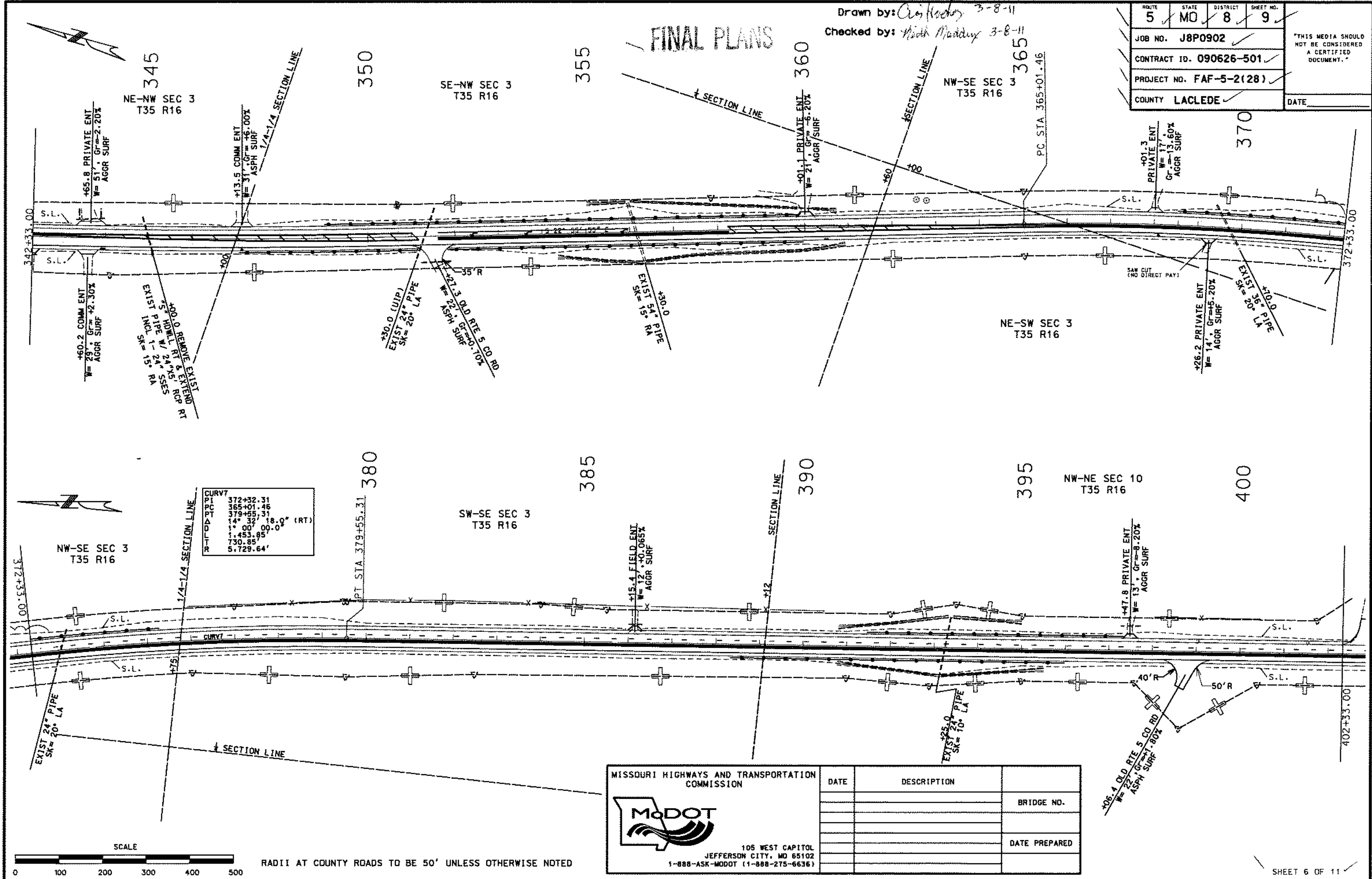
IF A SEAL IS PRESENT ON THIS SHEET IT HAS BEEN ELECTRONICALLY SEALED AND DATED.

FINAL PLANS

Drawn by: *C. H. Hooton* 3-8-11
 Checked by: *W. H. Maddy* 3-8-11

ROUTE	STATE	DISTRICT	SHEET NO.
5	MO	8	9
JOB NO. J8P0902			
CONTRACT ID. 090626-501			
PROJECT NO. FAF-5-2(28)			
COUNTY LACLEDE			
DATE			

"THIS MEDIA SHOULD NOT BE CONSIDERED A CERTIFIED DOCUMENT."



RADII AT COUNTY ROADS TO BE 50' UNLESS OTHERWISE NOTED

MISSOURI HIGHWAYS AND TRANSPORTATION COMMISSION

105 WEST CAPITOL
 JEFFERSON CITY, MO 65102
 1-888-ASK-MODOT (1-888-275-6636)

DATE	DESCRIPTION	BRIDGE NO.

DATE PREPARED

IF A SEAL IS PRESENT ON THIS SHEET IT HAS BEEN ELECTRONICALLY SEALED AND DATED.

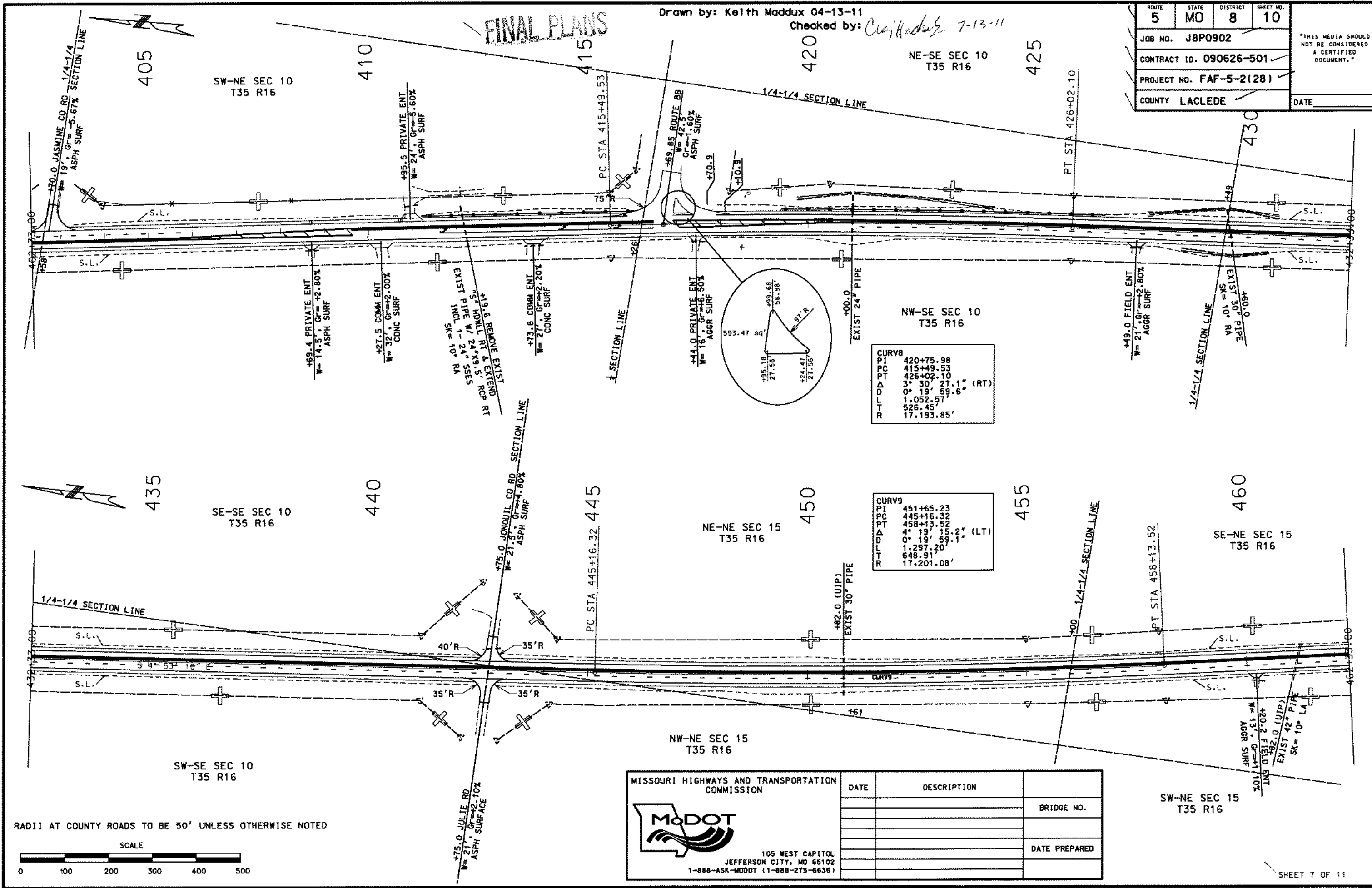
FINAL PLANS

Drawn by: Keith Maddux 04-13-11

Checked by: *Craig Mackay* 7-13-11

ROUTE	STATE	DISTRICT	SHEET NO.
5	MO	8	10
JOB NO. J8P0902			
CONTRACT ID. 090626-501			
PROJECT NO. FAF-5-2(28)			
COUNTY LACLEDE			
			DATE

THIS MEDIA SHOULD NOT BE CONSIDERED A CERTIFIED DOCUMENT.



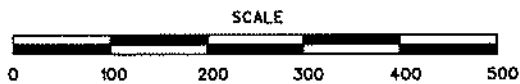
CURV8

PI	420+75.98
PC	415+49.53
PT	426+02.10
PVI	417+10.87
Δ	3° 30' 27.1" (RT)
Q	19' 59.6'
L	1.0525
E	526.45'
R	17,193.85'

CURV9

PI	451+65.23
PC	445+15.32
PT	458+13.52
PVI	449+44.53
Δ	4° 19' 55.2" (LT)
Q	19' 59.6'
L	1.2297
E	648.31'
R	17,201.08'

RADII AT COUNTY ROADS TO BE 50' UNLESS OTHERWISE NOTED



MISSOURI HIGHWAYS AND TRANSPORTATION COMMISSION		DATE	DESCRIPTION	BRIDGE NO.
105 WEST CAPITOL JEFFERSON CITY, MO 65102 1-888-ASK-MODOT (1-888-275-6636)				DATE PREPARED

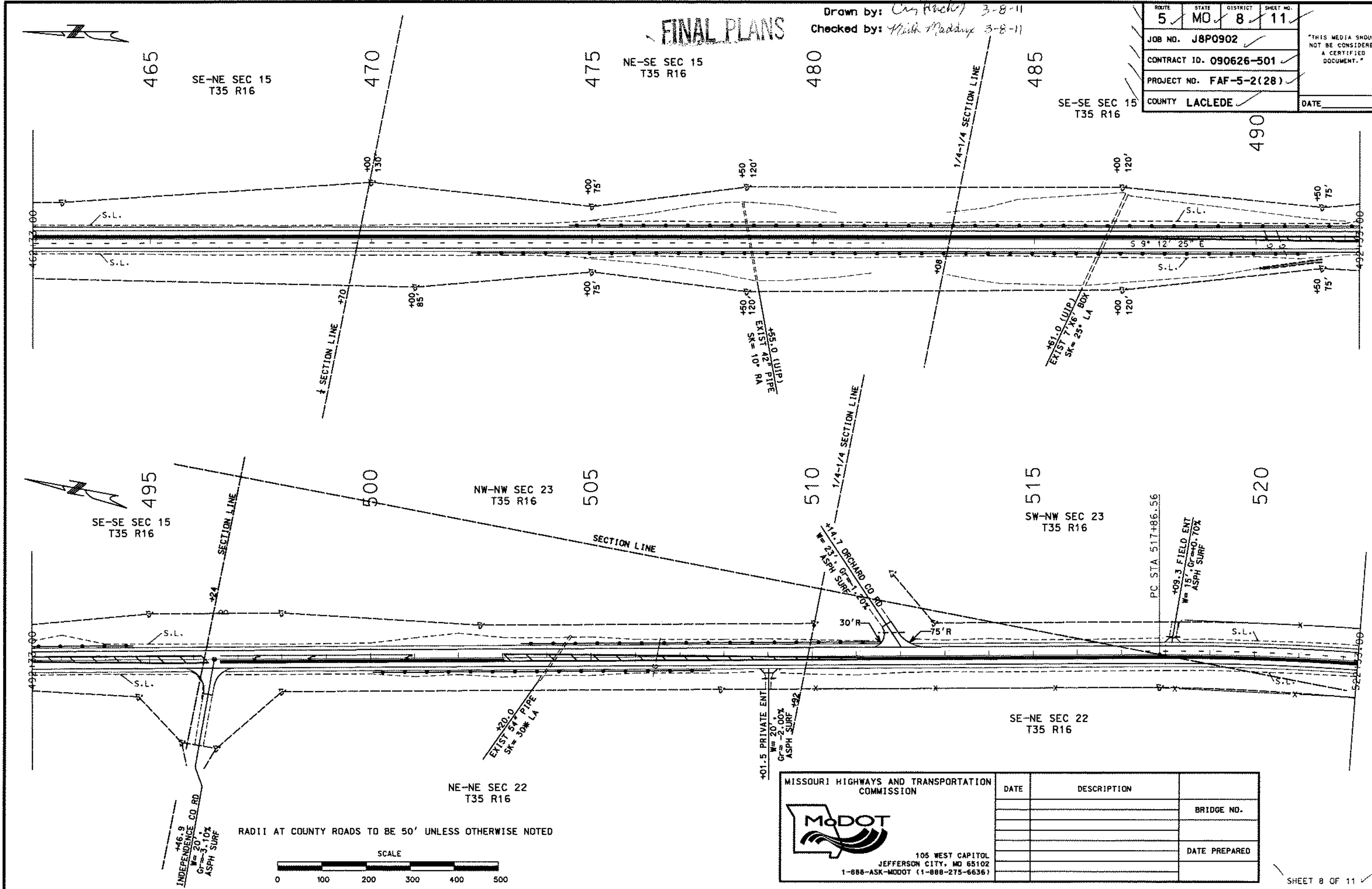
SW-NE SEC 15
T35 R16

FINAL PLANS

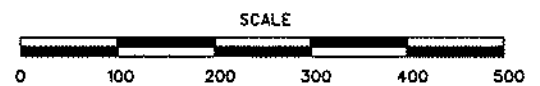
Drawn by: *Craig Hocky* 3-8-11
 Checked by: *Mark Madany* 3-8-11

ROUTE	STATE	DISTRICT	SHEET NO.
5	MO	8	11
JOB NO. J8P0902			
CONTRACT ID. 090626-501			
PROJECT NO. FAF-5-2(28)			
COUNTY LACLEDE			
DATE			

"THIS MEDIA SHOULD NOT BE CONSIDERED A CERTIFIED DOCUMENT."



RADII AT COUNTY ROADS TO BE 50' UNLESS OTHERWISE NOTED



MISSOURI HIGHWAYS AND TRANSPORTATION COMMISSION



105 WEST CAPITOL
 JEFFERSON CITY, MO 65102
 1-888-ASK-MODOT (1-888-275-6636)

DATE	DESCRIPTION	BRIDGE NO.

DATE PREPARED

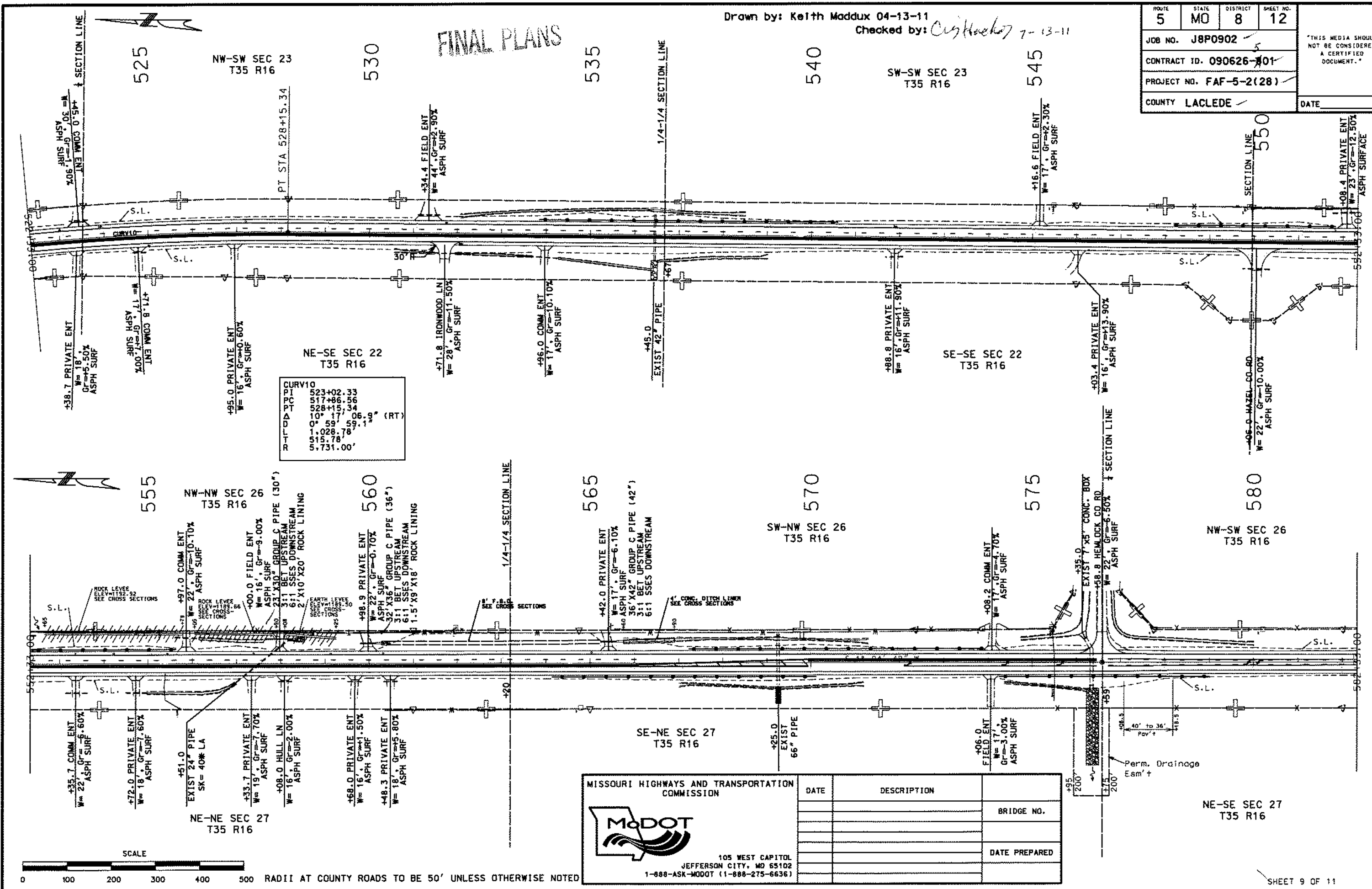
IF A SEAL IS PRESENT ON THIS SHEET IT HAS BEEN ELECTRONICALLY SEALED AND DATED.

Drawn by: Keith Maddux 04-13-11
 Checked by: *C. H. H. H. H.* 7-13-11

ROUTE	STATE	DISTRICT	SHEET NO.
5	MO	8	12
JOB NO. J8P0902			
CONTRACT ID. 090626-101			
PROJECT NO. FAF-5-2(28)			
COUNTY LACLEDE			
DATE			

THIS MEDIA SHOULD NOT BE CONSIDERED A CERTIFIED DOCUMENT.

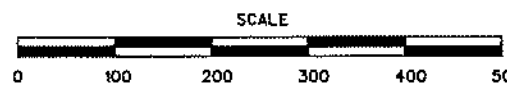
FINAL PLANS



MISSOURI HIGHWAYS AND TRANSPORTATION COMMISSION

105 WEST CAPITOL
 JEFFERSON CITY, MO 65102
 1-888-ASK-MODOT (1-888-275-6636)

DATE	DESCRIPTION	BRIDGE NO.	DATE PREPARED



RADII AT COUNTY ROADS TO BE 50' UNLESS OTHERWISE NOTED

NE-SE SEC 27 T35 R16

IF A SEAL IS PRESENT ON THIS SHEET IT HAS BEEN ELECTRONICALLY SEALED AND DATED.

Drawn by: Chris Nichols 3-8-11
 Checked by: Keith Madgwick 3-8-11

FINAL PLANS

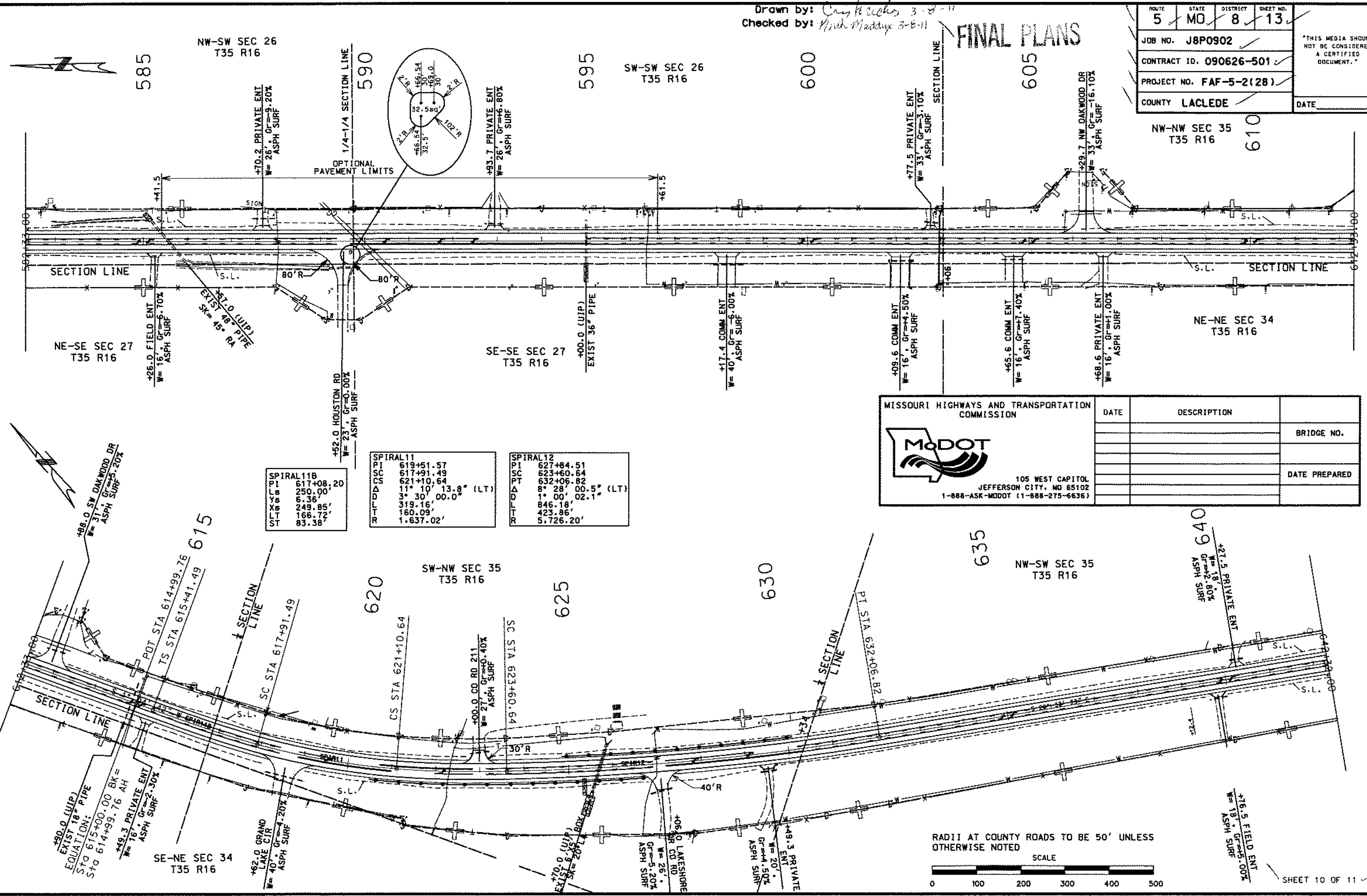
ROUTE 5 STATE MO DISTRICT 8 SHEET NO. 13

JOB NO. J8P0902
 CONTRACT ID. 090626-501
 PROJECT NO. FAF-5-2(28)
 COUNTY LACLEDE

THIS MEDIA SHOULD NOT BE CONSIDERED A CERTIFIED DOCUMENT.

NW-NW SEC 35
 T35 R16

610




SP	IR	AL	11B
P	I	SC	CS
6	1	9	1
1	7	1	0
9	1	0	8
8	1	0	2
2	5	0	0
6	3	6	5
3	6	6	5
2	4	9	6
4	8	5	5
6	5	5	8
8	3	8	3
5	5	5	8

SP	IR	AL	11
P	I	SC	CS
6	1	9	1
1	7	1	0
9	1	0	8
8	1	0	2
2	5	0	0
6	3	6	5
3	6	6	5
2	4	9	6
4	8	5	5
6	5	5	8
8	3	8	3
5	5	5	8

SP	IR	AL	12
P	I	SC	CS
6	2	7	6
2	7	8	4
7	1	0	8
8	4	5	1
0	0	5	8
0	0	8	2
0	6	0	8
8	2	0	5
2	5	0	0
2	0	0	0
0	0	0	0
0	0	0	0
0	0	0	0
0	0	0	0

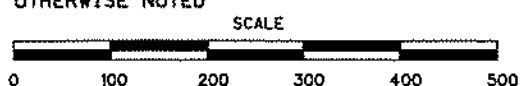
MISSOURI HIGHWAYS AND TRANSPORTATION COMMISSION



105 WEST CAPITOL
 JEFFERSON CITY, MO 65102
 1-888-ASK-MODOT (1-888-275-6636)

DATE	DESCRIPTION	BRIDGE NO.	DATE PREPARED

RADI AT COUNTY ROADS TO BE 50' UNLESS OTHERWISE NOTED

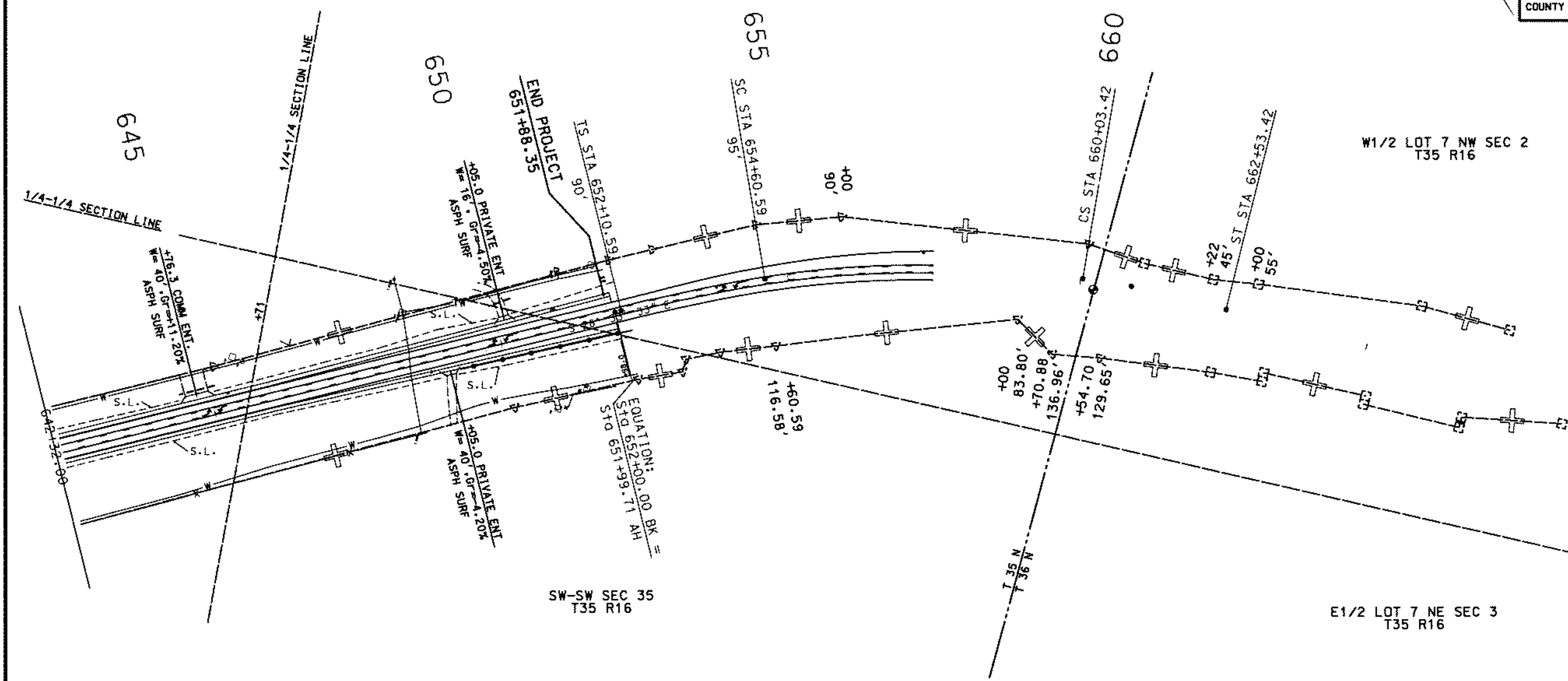


IF A SEAL IS PRESENT ON THIS SHEET IT HAS BEEN ELECTRONICALLY SEALED AND DATED.

FINAL PLANS

Drawn by: *Cos (Hicks) 3-8-11*
 Checked by: *Keith Maddux 3-8-11*

ROUTE 5	STATE MO	DISTRICT 8	SHEET NO. 14
JOB NO. J8P0902			*THIS MEDIA SHOULD NOT BE CONSIDERED A CERTIFIED DOCUMENT.*
CONTRACT ID. 090626-501			
PROJECT NO. FAF-5-2(28)			DATE
COUNTY LACLEDE			



BRIDGE NO.	DATE PREPARED

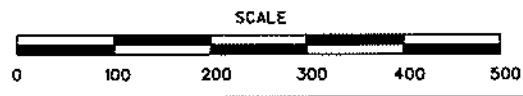
MISSOURI HIGHWAYS AND TRANSPORTATION COMMISSION

MoDOT

105 WEST CAPITAL
 JEFFERSON CITY, MO 65102
 1-888-ASK-MODOT (1-888-275-6636)

ANY WORK INDICATED ON THE PLANS THAT EXTENDS BEYOND THE PROJECT LIMITS IS CONSIDERED INCIDENTAL TO AND A PART OF THE CONSTRUCTION OF THIS PROJECT.



RADII AT COUNTY ROADS TO BE 50' UNLESS OTHERWISE NOTED

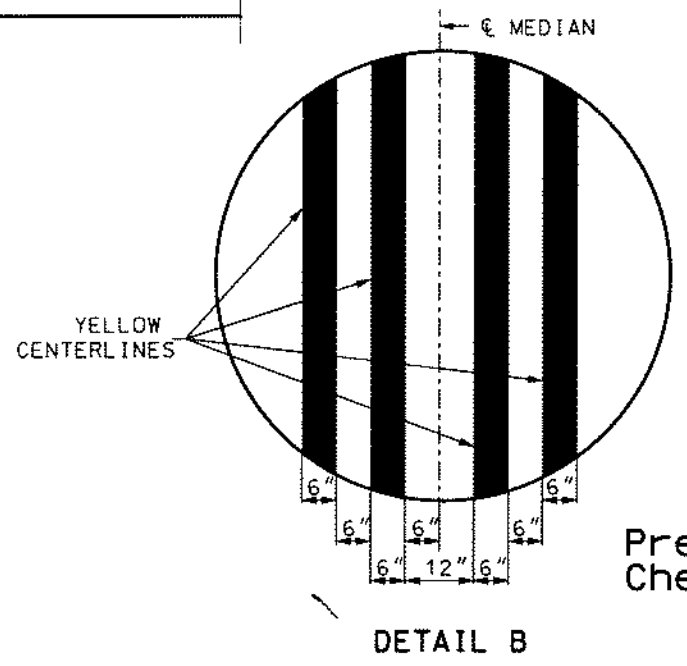
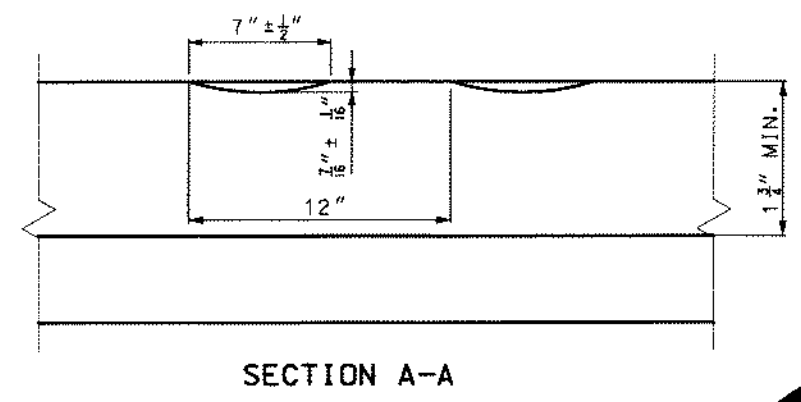
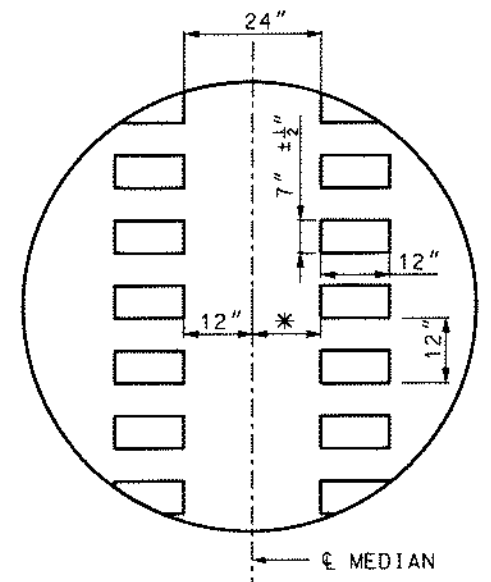
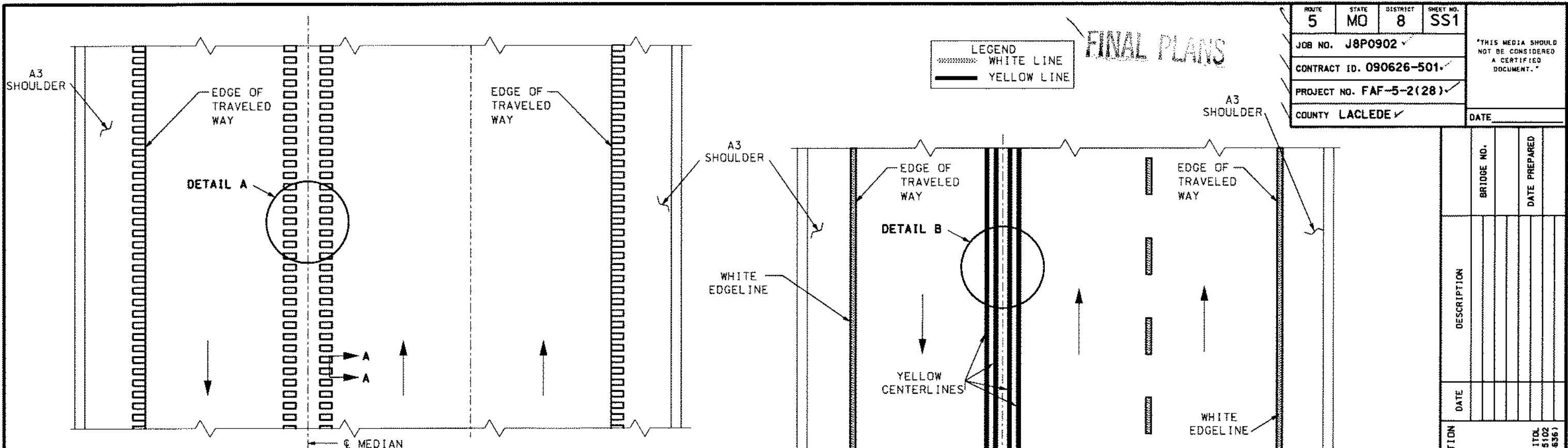


ROUTE 5	STATE MO	DISTRICT 8	SHEET NO. SS1
JOB NO. J8P0902			
CONTRACT ID. 090626-501			
PROJECT NO. FAF-5-2(28)			
COUNTY LACLEDE			
DATE _____			

"THIS MEDIA SHOULD NOT BE CONSIDERED A CERTIFIED DOCUMENT."

FINAL PLANS

LEGEND
 WHITE LINE
 YELLOW LINE



* = LATERAL DEVIATION SHALL NOT EXCEED ONE INCH IN 100 FEET.

GENERAL NOTES:

- CENTERLINE RUMBLE STRIPS ON PASSING ROADWAYS SHALL FOLLOW PAVEMENT STRIPING THROUGH TRANSITIONS. SEE CONTRACT PLANS FOR STRIPING DETAILS.
- RUMBLE STRIPS SHALL NOT BE PLACED ON BRIDGES.
- ALL RUMBLE STRIPS SHALL BE MILLED.
- CENTERLINE RUMBLE STRIPS SHALL BE CONTINUOUS THROUGH CONNECTIONS OF SIDEROADS WITH NO LEFT TURN LANES.
- CONTINUE RUMBLE STRIPS AND CENTERLINE PAV'T MARKING FOR THE TWO LANE SECTIONS.

RUMBLE STRIP

Prepared by: **Craig Huckaby 7-13-11**
 Checked by: *[Signature]* 7/22/11

**PASSING LANE
 RUMBLE STRIP AND
 PAVEMENT MARKING
 SPECIAL SHEET**

DESCRIPTION	BRIDGE NO.	DATE PREPARED

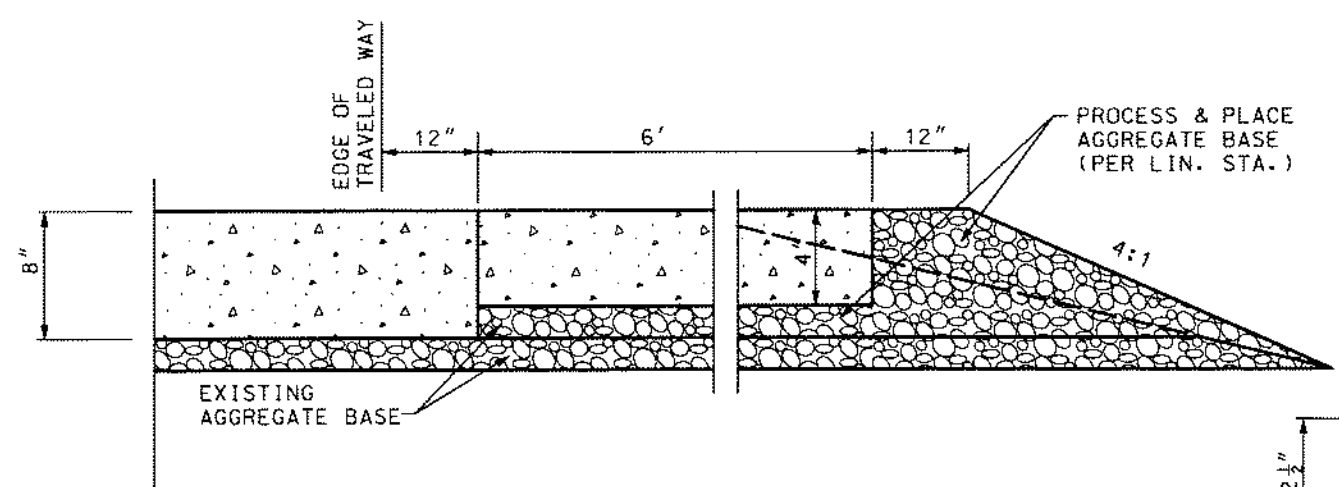
IF A SEAL IS PRESENT ON THIS SHEET IT HAS BEEN ELECTRONICALLY SEALED AND DATED.



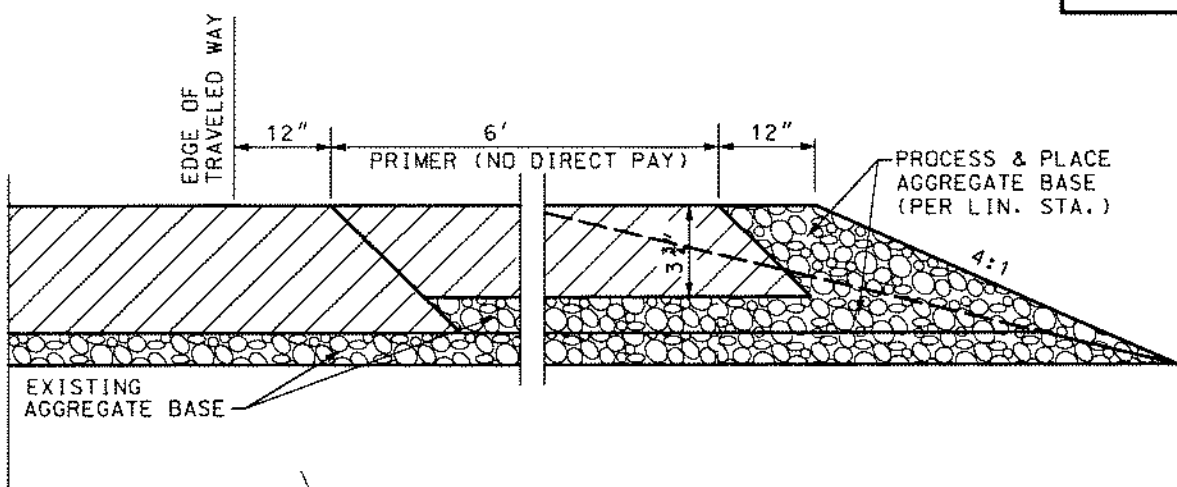
Prepared by: Craig Huckaby
 Checked by: *[Signature]* FINAL PLANS
 7/22/11

ROUTE	STATE	DISTRICT	SHEET NO.
5	MO	8	SS2
JOB NO. J8P0902 ✓			
CONTRACT ID. 090626-501 ✓			
PROJECT NO. FAF-5-2(28) ✓			
COUNTY LACLEDE ✓			
DATE			

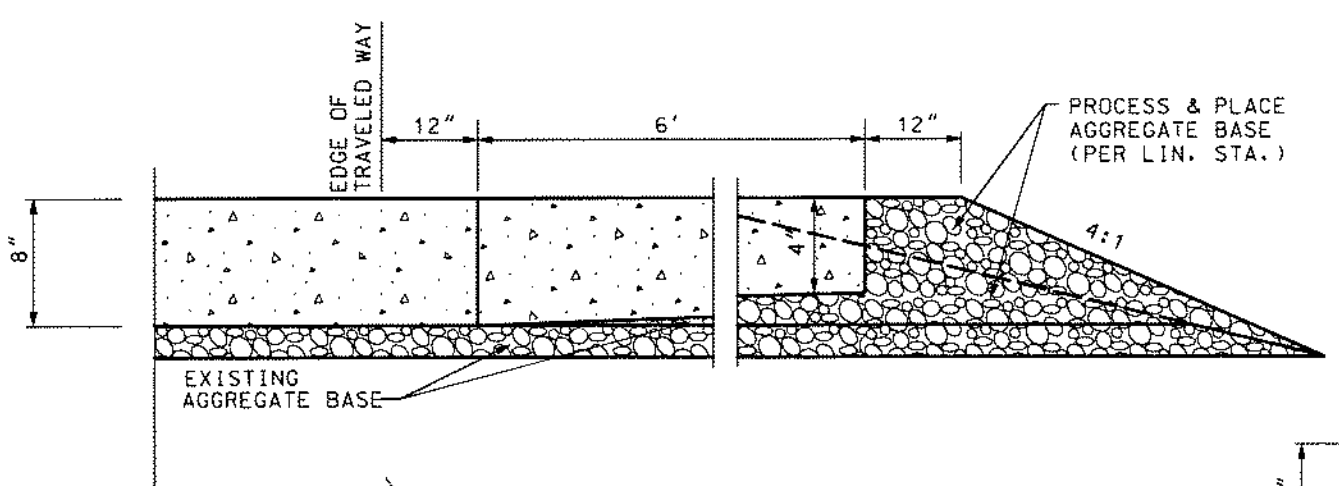
THIS MEDIA SHOULD NOT BE CONSIDERED A CERTIFIED DOCUMENT.



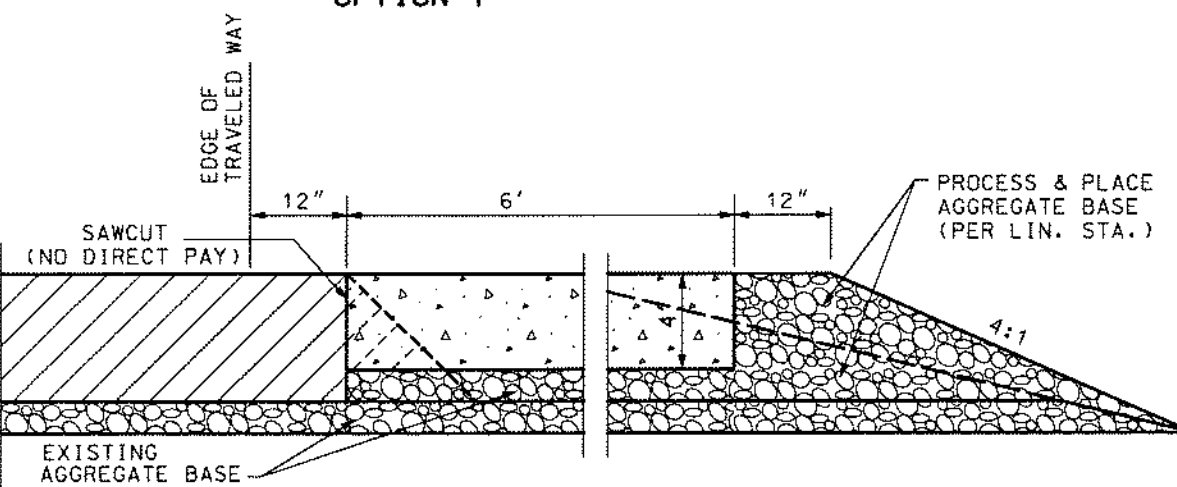
OPTION 1



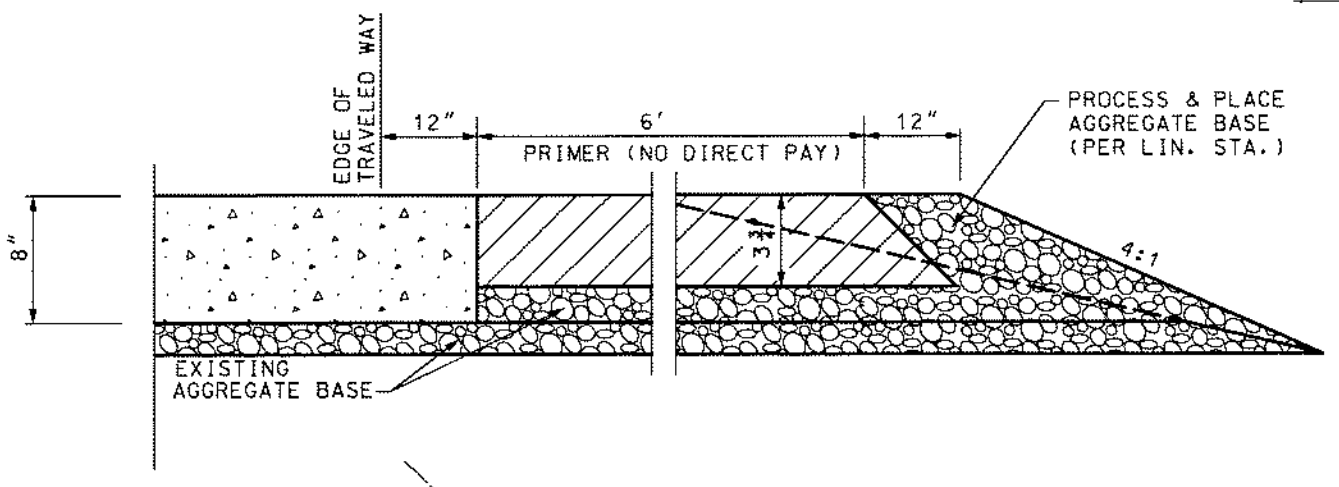
OPTION 1



OPTION 2



OPTION 2
 HMA PAVEMENT (ALT B)



OPTION 3
 PCC PAVEMENT (ALT A)

- PCC (PORTLAND CEMENT CONCRETE)
- HMA (HOT MIX ASPHALT)
- BASE

GENERAL NOTES:

1. THE A3 SHOULDER OPTIONS INDICATE EXISTING FULL DEPTH DAYLIGHTED AGGREGATE SHOULDERS. THE CONTRACTOR SHALL REFER TO TYPICAL SHEET 8 OF 9 FOR PROBABLE LIMITS OF EXISTING DAYLIGHTED BASE.
2. FOR 4" CONCRETE SHOULDER OPTION, USE 7.5' JOINT SPACING MATCHING EVERY OTHER JOINT TO THE JOINT IN THE MAINLINE PAVEMENT. T/3 JOINT MAY BE HAND TOOLED OR SAWN. SAWCUT JOINTS IN THE SHOULDER SHALL NOT BE OVERSAWN INTO THE MAINLINE PAVEMENT.
3. ANY AGGREGATE BELOW NEW MAINLINE PAVEMENT WIDENING AND WITHIN THE LIMITS OF THE SHOULDER (INCLUDING FORESLOPE OF THE ROADWAY), COMPLETE AND IN PLACE, SHALL BE PAID AT THE CONTRACT UNIT BID PRICE FOR PROCESS AND PLACE AGGREGATE BASE PER LINEAR STATION.

TYPE A3 SHOULDERS
 SPECIAL SHEET

DESCRIPTION	BRIDGE NO.	DATE PREPARED

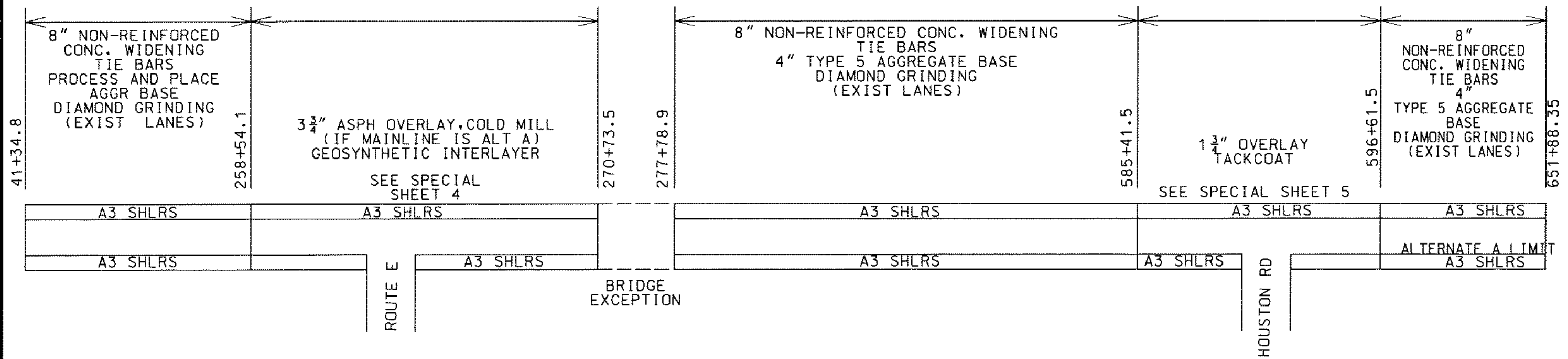
IF A SEAL IS PRESENT ON THIS SHEET IT HAS BEEN ELECTRONICALLY SEALED AND DATED.

Prepared by: Craig Huckaby 7-13-11

Checked by: *[Signature]* 7/22/11

FINAL PLANS

ROUTE 5	STATE MO	DISTRICT 8	SHEET NO. SS3	THIS MEDIA SHOULD NOT BE CONSIDERED A CERTIFIED DOCUMENT.
JOB NO. J8P0902 ✓				
CONTRACT ID. 090626-501 ✓				
PROJECT NO. FAF-5-1(28) ✓				
COUNTY LACLEDE ✓			DATE	



SEE SPECIAL SHEET 4

SEE SPECIAL SHEET 5

HOUSTON RD

BRIDGE EXCEPTION

ROUTE E

ALTERNATE PAVEMENT SPECIAL SHEET

NOT TO SCALE

SHEET 3 OF 6

IF A SEAL IS PRESENT ON THIS SHEET IT HAS BEEN ELECTRONICALLY SEALED AND DATED. REV.

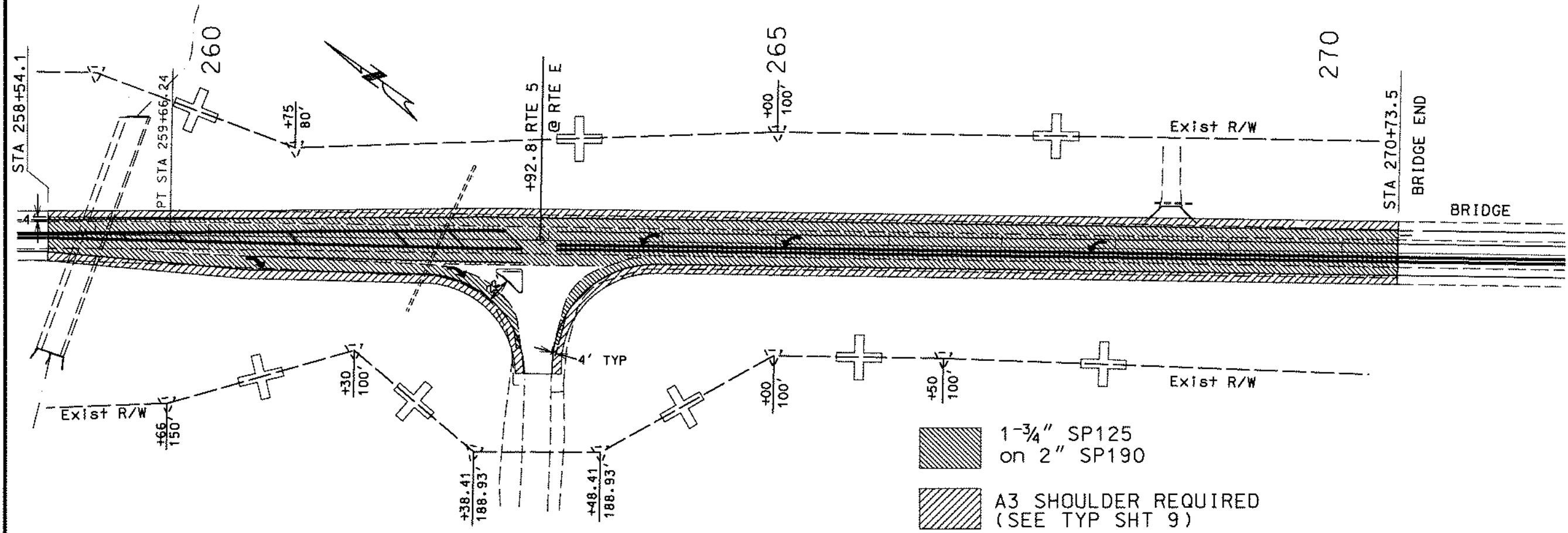
Prepared by: Craig Huckaby 7-13-11

Checked by: *QuOler 7/22/11*

FINAL PLANS

ROUTE 5	STATE MO	DISTRICT 8	SHEET NO. SS4
JOB NO. J8P0902			
CONTRACT ID. 090626-501			
PROJECT NO. FAF-5-2(28)			
COUNTY LACLEDE			
DATE			

THIS MEDIA SHOULD NOT BE CONSIDERED A CERTIFIED DOCUMENT.



- 1-3/4" SP125 on 2" SP190
- A3 SHOULDER REQUIRED (SEE TYP SHT 9)

DESCRIPTION	BRIDGE NO.	DATE PREPARED

MISSOURI HIGHWAYS AND TRANSPORTATION COMMISSION

MoDOT


105 WEST CAPITOL
JEFFERSON CITY, MO 65102
1-888-ASK-MODOT (1-888-275-6636)

STATE RTE 5 AND RTE E INTERSECTION
SPECIAL SHEET

SHEET 4 OF 6

Prepared by: Craig Huckaby 7-13-11
 Checked by: *Chad* 7/22/11

MISSOURI HIGHWAYS AND TRANSPORTATION COMMISSION

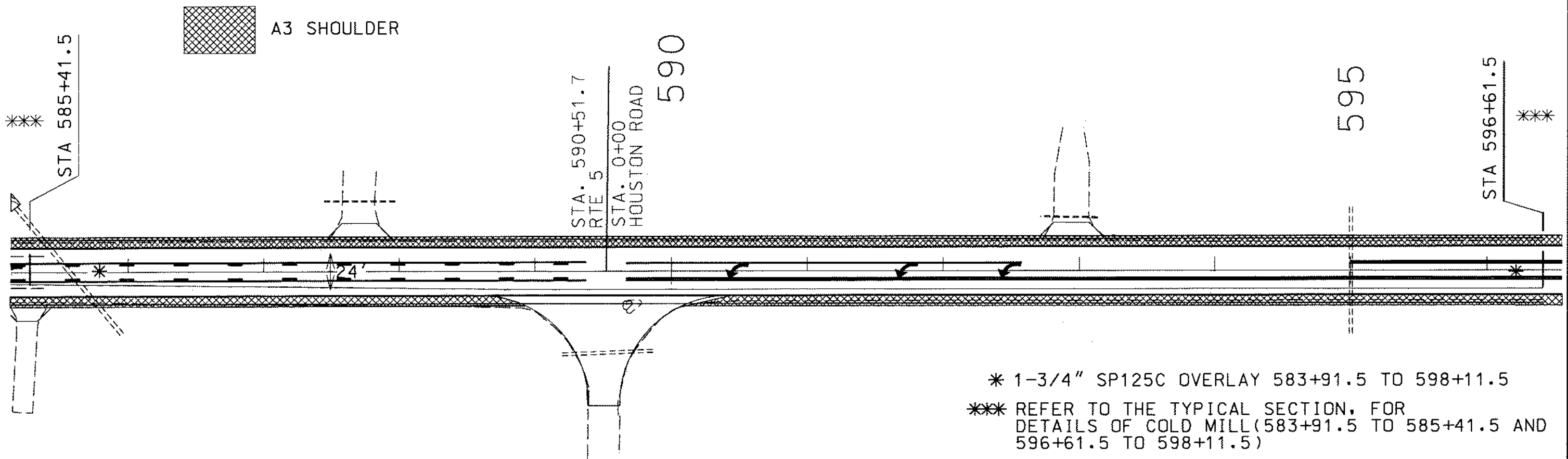


105 WEST CAPITOL
 JEFFERSON CITY, MO 65102
 1-888-ASK-MODOT (1-888-275-6636)

DATE	DESCRIPTION	ROUTE	STATE	DISTRICT	SHEET NO.
		5	MO	8	SS5
		BRIDGE NO.	JOB NO. J8P0902 ✓		
			CONTRACT ID. 090626-501 ✓		
		DATE PREPARED	PROJECT NO. FAF-5-2(28) ✓		
			COUNTY LACLEDE ✓		
			DATE		

"THIS MEDIA SHOULD NOT BE CONSIDERED A CERTIFIED DOCUMENT."

FINAL PLANS



* 1-3/4" SP125C OVERLAY 583+91.5 TO 598+11.5
 *** REFER TO THE TYPICAL SECTION, FOR
 DETAILS OF COLD MILL (583+91.5 TO 585+41.5 AND
 596+61.5 TO 598+11.5)

ROUTE 5 AND HOUSTON ROAD
 INTERSECTION


NOT TO SCALE SPECIAL SHEET

SHEET 5 OF 6

IF A SEAL IS PRESENT ON THIS SHEET IT HAS BEEN ELECTRONICALLY SEALED AND DATED.

Prepared by: Craig Huckaby 7-13-11
 Checked by: *Walt Lee 7/22/11*

MISSOURI HIGHWAYS AND TRANSPORTATION COMMISSION

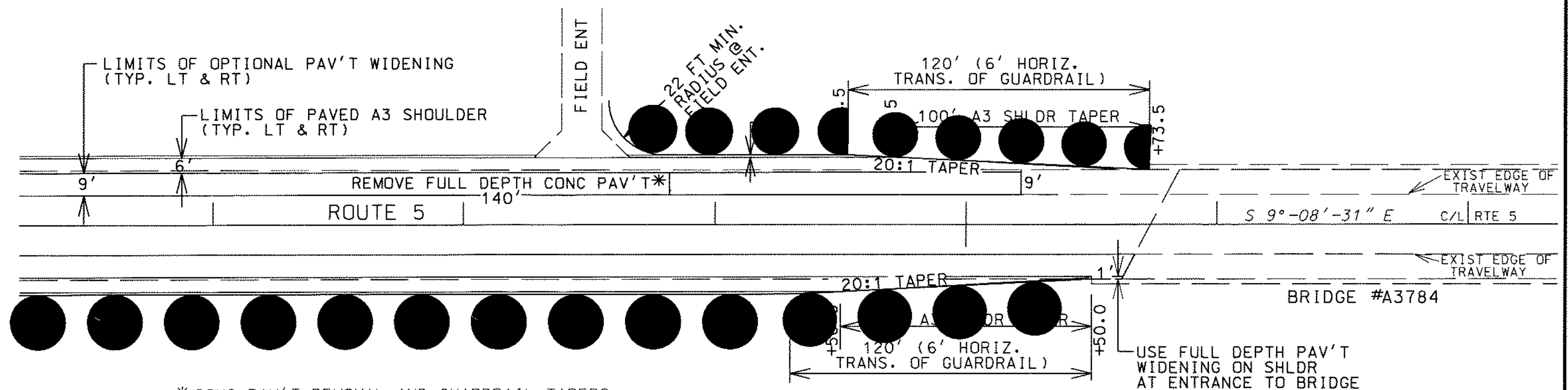


105 WEST CAPITOL
 JEFFERSON CITY, MO 65102
 1-888-ASK-MODOT (1-888-275-6636)

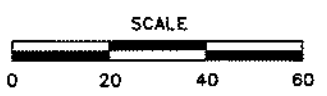
DATE	DESCRIPTION	ROUTE	STATE	DISTRICT	SHEET NO.
		5	MO	8	SS6
		BRIDGE NO.	JOB NO.	J8P0902	
			CONTRACT ID.	090626-501	
		DATE PREPARED	PROJECT NO.	FAF-5-2(28)	
			COUNTY	LACLEDE	
					DATE

"THIS MEDIA SHOULD NOT BE CONSIDERED A CERTIFIED DOCUMENT."

270 FINAL PLANS



* CONC PAV'T REMOVAL AND GUARDRAIL TAPERS ARE TYPICAL ON BOTH ENDS OF THE BRIDGE



SPECIAL SHEET
 SHEET 6 OF 6

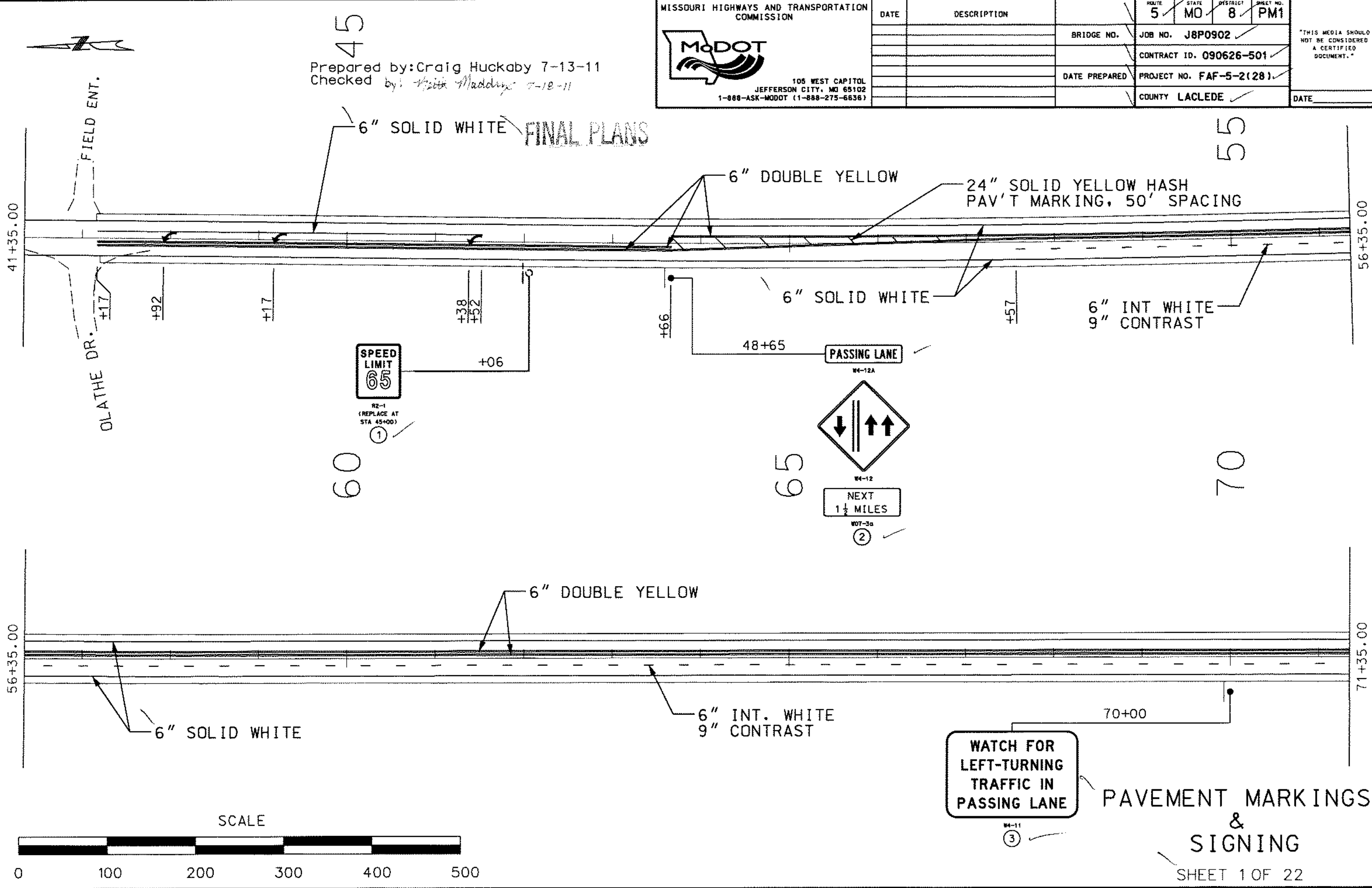
IF A SEAL IS PRESENT ON THIS SHEET IT HAS BEEN ELECTRONICALLY SEALED AND DATED.



DATE	DESCRIPTION	BRIDGE NO.	JOB NO.	ROUTE	STATE	DISTRICT	SHEET NO.
			J8P0902	5	MO	8	PM1
			CONTRACT ID. 090626-501				
			PROJECT NO. FAF-5-2(28)				
			COUNTY LACLEDE				
							DATE

"THIS MEDIA SHOULD NOT BE CONSIDERED A CERTIFIED DOCUMENT."

45
Prepared by: Craig Huckaby 7-13-11
Checked by: Keith Maddox 7-18-11



6" SOLID WHITE FINAL PLANS

6" DOUBLE YELLOW

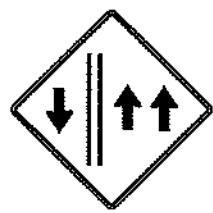
24" SOLID YELLOW HASH PAV'T MARKING, 50' SPACING

6" SOLID WHITE

6" INT WHITE 9" CONTRAST

SPEED LIMIT 65

PASSING LANE

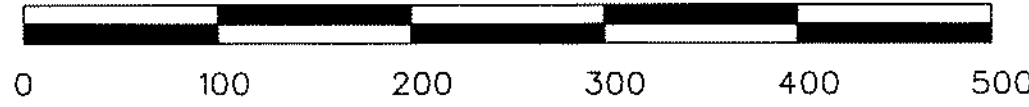


NEXT 1 1/2 MILES

WATCH FOR LEFT-TURNING TRAFFIC IN PASSING LANE

PAVEMENT MARKINGS & SIGNING

SHEET 1 OF 22



IF A SEAL IS PRESENT ON THIS SHEET IT HAS BEEN ELECTRONICALLY SEALED AND DATED.



75

Prepared by: Craig Huckaby 7-14-11
Checked by: Keith Maddy 7-20-11

80

FINAL PLANS

ROUTE 5	STATE MO	DISTRICT 8	SHEET NO. PM2
JOB NO. J8P0902			
CONTRACT ID. 090626-501			
PROJECT NO. FAF-5-2(28)			
COUNTY LACLEDE			
DATE			

THIS MEDIA SHOULD NOT BE CONSIDERED A CERTIFIED DOCUMENT.

85

71+35.00

86+34.00



6" SOLID WHITE

6" DOUBLE YELLOW

6" INT. WHITE
9" CONTRAST

LIVINGSTON RD.



90



95

100

86+34.00

101+34.00

6" SOLID WHITE

6" DOUBLE YELLOW


6" INT. WHITE
9" CONTRAST

90+00

90+00

SCALE



MISSOURI HIGHWAYS AND TRANSPORTATION COMMISSION	DATE	DESCRIPTION	BRIDGE NO.
 105 WEST CAPITOL JEFFERSON CITY, MO 65102 1-888-ASK-MODOT (1-888-275-6636)			DATE PREPARED

PAVEMENT MARKINGS & SIGNING

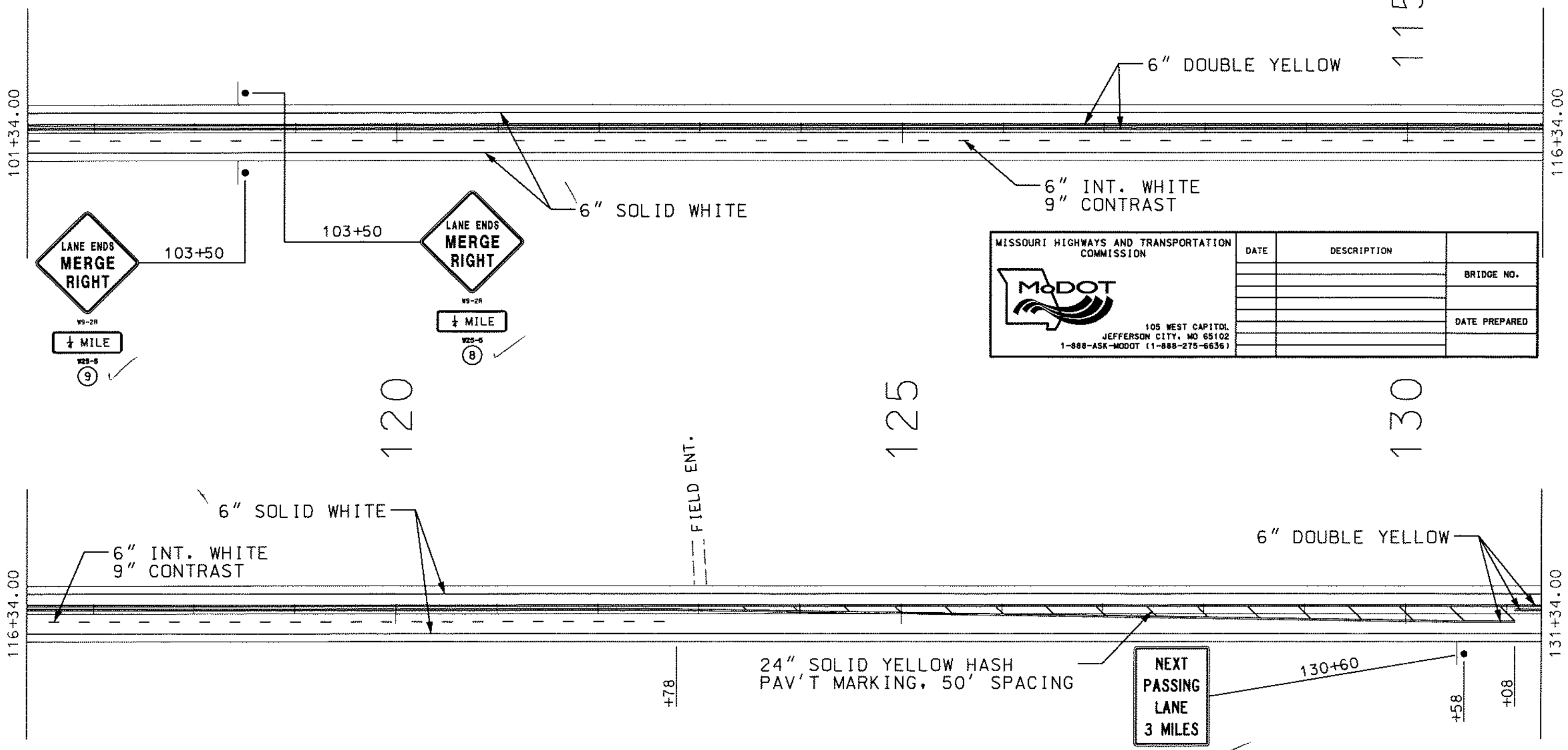
SHEET 2 OF 22

105 Prepared by: Craig Huckaby 7-14-11
 Checked by: Keith Maddy 7-18-11

110 FINAL PLANS

ROUTE	STATE	DISTRICT	SHEET NO.
5	MO	8	PM3
JOB NO. J8P0902			
CONTRACT ID. 090626-501			
PROJECT NO. FAF-5-2(28)			
COUNTY LACLEDE			DATE

"THIS MEDIA SHOULD NOT BE CONSIDERED A CERTIFIED DOCUMENT."

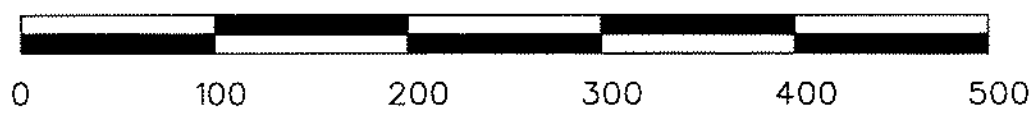


MISSOURI HIGHWAYS AND TRANSPORTATION COMMISSION

105 WEST CAPITOL
 JEFFERSON CITY, MO 65102
 1-888-ASK-MODOT (1-888-275-6636)

DATE	DESCRIPTION	BRIDGE NO.	DATE PREPARED

SCALE



PAVEMENT MARKINGS & SIGNING

SHEET 3 OF 22

IF A SEAL IS PRESENT ON THIS SHEET IT HAS BEEN ELECTRONICALLY SEALED AND DATED.

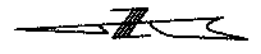
Prepared by: Craig Huckaby
 Checked by: *Nick Maddux 7-18-11*

140

FINAL PLANS

ROUTE 5	STATE MO	DISTRICT 8	SHEET NO. PM4
JOB NO. J8P0902			
CONTRACT ID. 090626-501			
PROJECT NO. FAF-5-2(28)			
COUNTY LACLEDE			
			DATE

"THIS MEDIA SHOULD NOT BE CONSIDERED A CERTIFIED DOCUMENT."



135



R1-1
STA 137+50
11

OLATHE DR.



R4-13
13

144+50

145

146+34.00

6" DOUBLE YELLOW

+50

6" SOLID WHITE

131+34.00

+03
+18

6" SOLID WHITE

+38

+63
+38

OLATHE DR.



R1-1
STA 137+54
12

6" DOUBLE YELLOW

+60
+78

+53

+78

+98
+13

24" SOLID YELLOW HASH
PAV'T MARKING, 50' SPACING

+00

+50

6" DOUBLE YELLOW

150

155

160

FIELD ENT.

24" SOLID YELLOW HASH
PAV'T MARKING, 50' SPACING

6" DOUBLE YELLOW

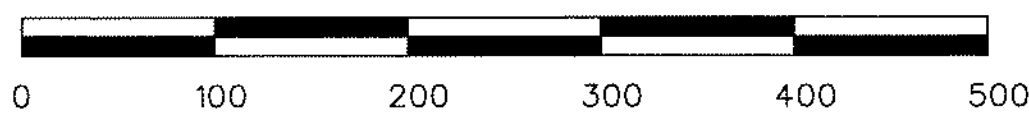
6" INT. WHITE
9" CONTRAST

146+34.00

+30

6" SOLID WHITE

161+32.00



SCALE

MISSOURI HIGHWAYS AND TRANSPORTATION COMMISSION

105 WEST CAPITOL
JEFFERSON CITY, MO 65102
1-888-ASK-MODOT (1-888-275-6636)

DATE	DESCRIPTION	BRIDGE NO.

PAVEMENT MARKINGS
&
SIGNING

SHEET 4 OF 22

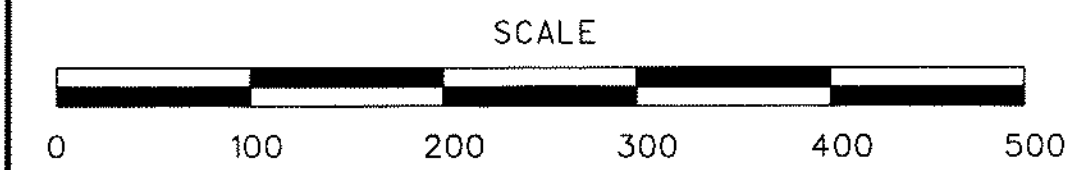
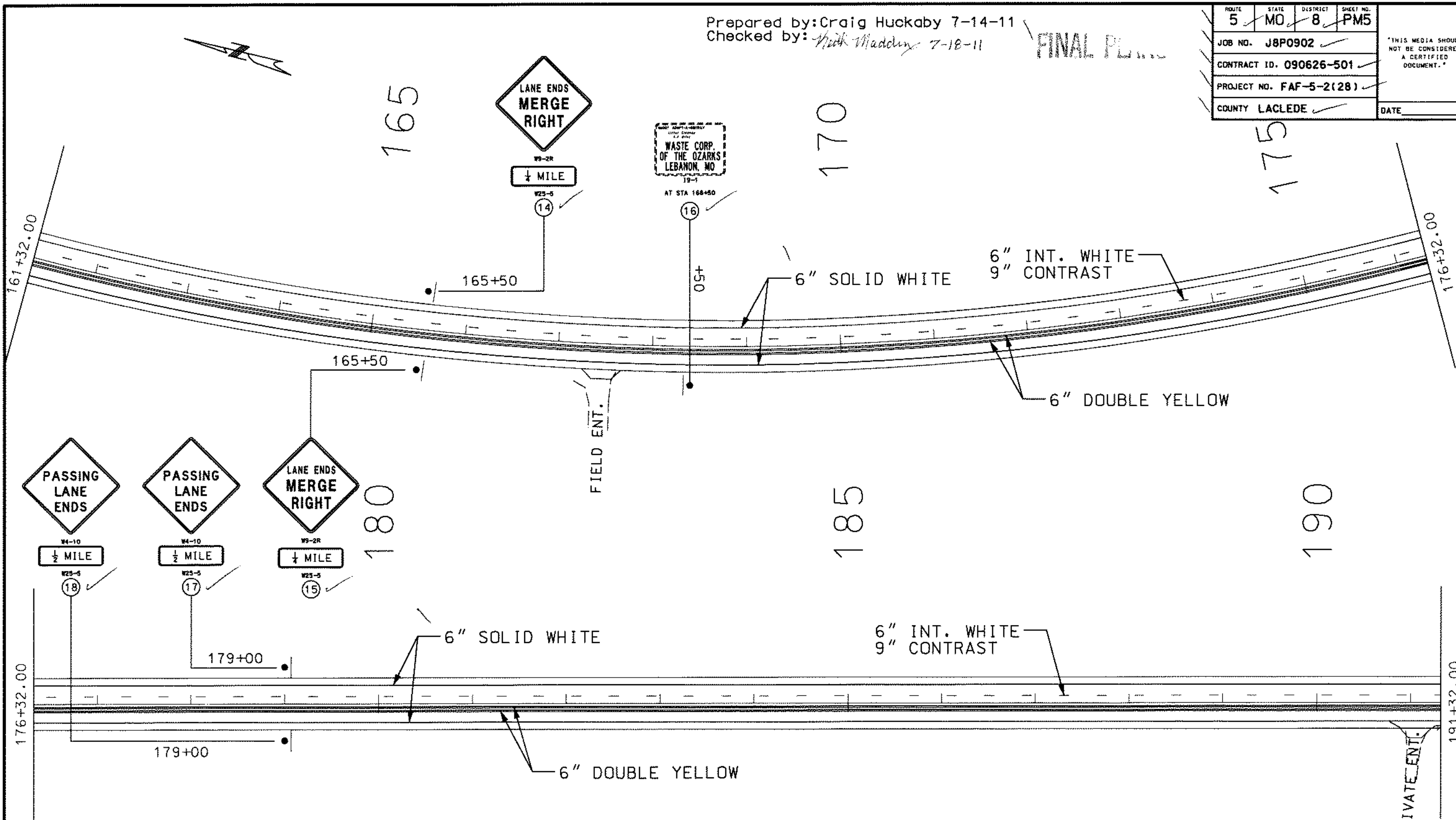
IF A SEAL IS PRESENT ON THIS SHEET IT HAS BEEN ELECTRONICALLY SEALED AND DATED.

Prepared by: Craig Huckaby 7-14-11
 Checked by: *Neil Madley* 7-18-11

FINAL PLAN

ROUTE	STATE	DISTRICT	SHEET NO.
5	MO	8	PM5
JOB NO. J8P0902			
CONTRACT ID. 090626-501			
PROJECT NO. FAF-5-2(28)			
COUNTY LACLEDE			
			DATE

THIS MEDIA SHOULD NOT BE CONSIDERED A CERTIFIED DOCUMENT.



MISSOURI HIGHWAYS AND TRANSPORTATION COMMISSION

105 WEST CAPITOL
 JEFFERSON CITY, MO 65102
 1-888-ASK-MODOT (1-888-275-6636)

DATE	DESCRIPTION	BRIDGE NO.

PAVEMENT MARKINGS & SIGNING
 SHEET 5 OF 22

IF A SEAL IS PRESENT ON THIS SHEET IT HAS BEEN ELECTRONICALLY SEALED AND DATED.

195

Prepared by: Craig Huckaby 7-14-11
Checked by: Keith Maddox 7-18-11

200

FINAL PLANS

ROUTE 5	STATE MO	DISTRICT 8	SHEET NO. PM6
JOB NO. J8P0902			
CONTRACT ID. 090626-501			
PROJECT NO. FAF-5-29(28)			
COUNTY LACLEDE			
			DATE

THIS MEDIA SHOULD NOT BE CONSIDERED A CERTIFIED DOCUMENT.

205

191+32.00

206+32.00


6" SOLID WHITE

6" INT. WHITE
9" CONTRAST

201+00

6" DOUBLE YELLOW

MISSOURI HIGHWAYS AND TRANSPORTATION COMMISSION



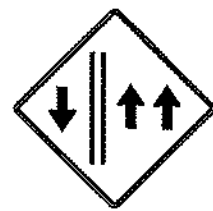
105 WEST CAPITOL
JEFFERSON CITY, MO 65102
1-888-ASK-MODOT (1-888-275-6636)

DATE	DESCRIPTION	BRIDGE NO.

DATE PREPARED

PASSING LANE

SPEED LIMIT 65



NEXT 1 MILE

R2-1
STA 211+00

(21)

(22)

215

STOP

STOP

NORTH



R1-1
AT STA 220+47

(27)

R1-1
AT STA 220+19

(26)

220

6" DOUBLE YELLOW

6" INT. WHITE
9" CONTRAST

211+00

213+25

6" SOLID WHITE

6" DOUBLE YELLOW

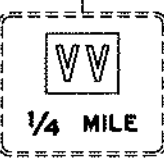
218+00

6" SOLID WHITE
ROUTE VV

206+32.00

221+32.00

207+00



+36

24" SOLID YELLOW HASH
PAV'T MARKING, 50' SPACING

+26

+79
+94

+14

+65

+39

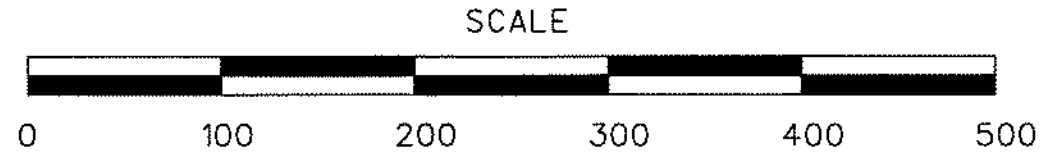
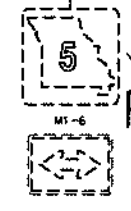
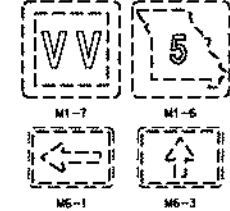
+14

+56

+85

+30

KANSAS RD.
6" DOUBLE YELLOW
PAVEMENT MARKINGS
&
SIGNING



(24)

(25)

SHEET 6 OF 22

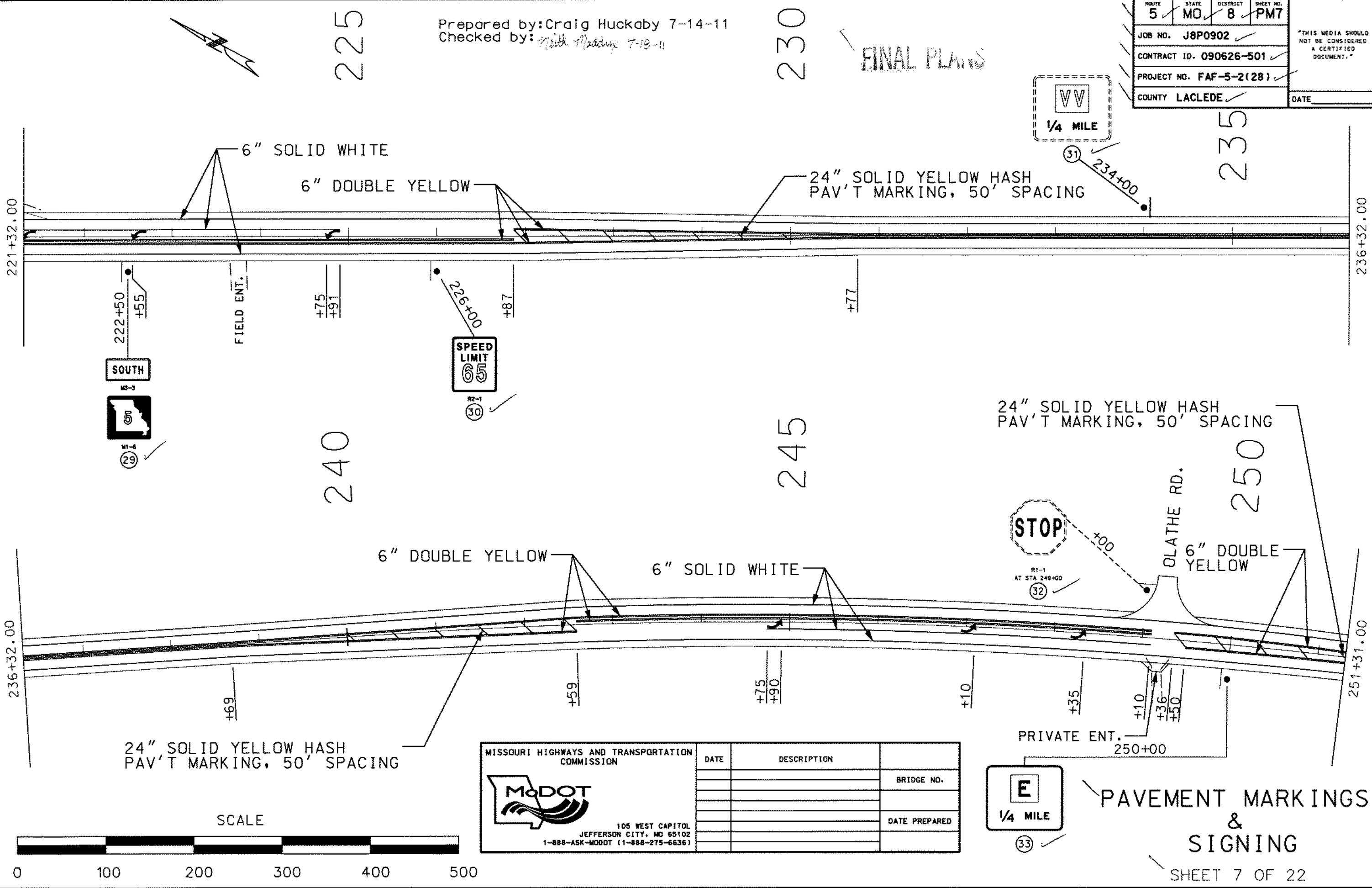
IF A SEAL IS PRESENT ON THIS SHEET IT HAS BEEN ELECTRONICALLY SEALED AND DATED.

ROUTE 5	STATE MO	DISTRICT 8	SHEET NO. PM7
JOB NO. J8P0902			
CONTRACT ID. 090626-501			
PROJECT NO. FAF-5-2(28)			
COUNTY LACLEDE			DATE

"THIS MEDIA SHOULD NOT BE CONSIDERED A CERTIFIED DOCUMENT."

Prepared by: Craig Huckaby 7-14-11
 Checked by: *Nick Maddox 7-18-11*

FINAL PLANS



SOUTH



SPEED LIMIT 65

STOP

R1-1 AT STA. 249+00

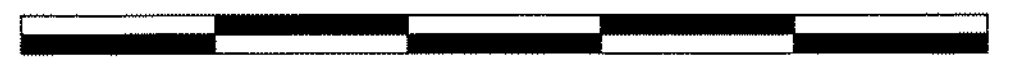
E 1/4 MILE

PAVEMENT MARKINGS & SIGNING

SHEET 7 OF 22

MISSOURI HIGHWAYS AND TRANSPORTATION COMMISSION		DATE	DESCRIPTION	BRIDGE NO.
105 WEST CAPITOL JEFFERSON CITY, MO 65102 1-888-ASK-MODOT (1-888-275-6636)				DATE PREPARED

SCALE



0 100 200 300 400 500

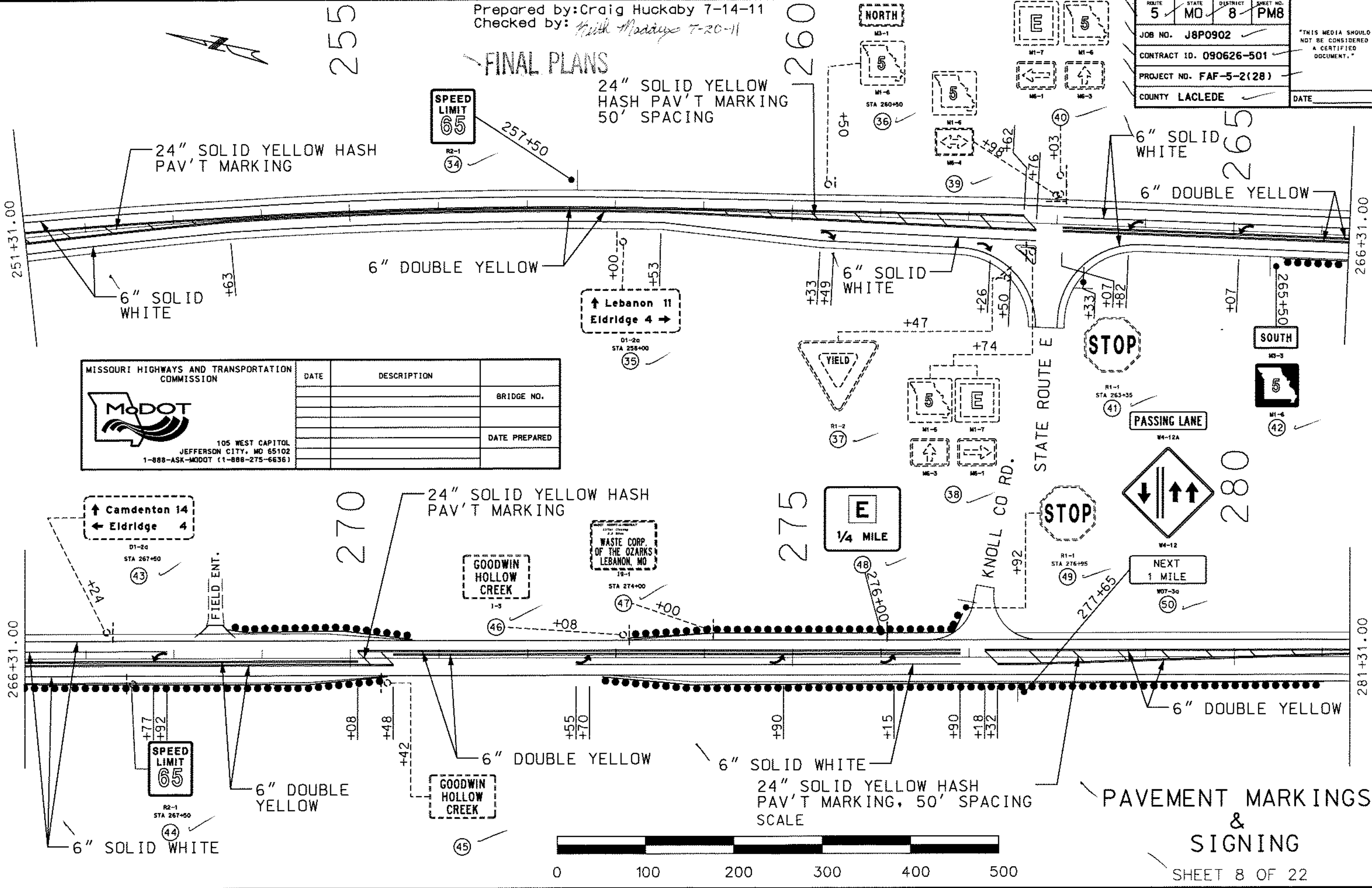
Prepared by: Craig Huckaby 7-14-11
 Checked by: *Kelli Maddox 7-20-11*


FINAL PLANS

24" SOLID YELLOW
 HASH PAV'T MARKING
 50' SPACING

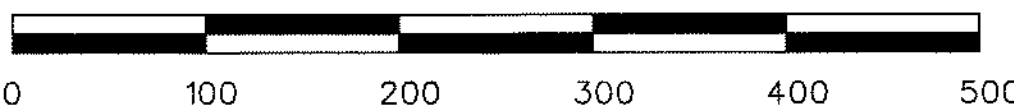
ROUTE 5	STATE MO	DISTRICT 8	SHEET NO. PM8
JOB NO. J8P0902			
CONTRACT ID. 090626-501			
PROJECT NO. FAF-5-2(28)			
COUNTY LACLEDE			
			DATE

"THIS MEDIA SHOULD NOT BE CONSIDERED A CERTIFIED DOCUMENT."



MISSOURI HIGHWAYS AND TRANSPORTATION COMMISSION		DATE	DESCRIPTION	BRIDGE NO.
 105 WEST CAPITOL JEFFERSON CITY, MO 65102 1-888-ASK-MODOT (1-888-275-6636)				
				DATE PREPARED

WASTE CORP.
 OF THE OZARKS
 LEBANON, MO



PAVEMENT MARKINGS & SIGNING

IF A SEAL IS PRESENT ON THIS SHEET IT HAS BEEN ELECTRONICALLY SEALED AND DATED.



285

Prepared by: Craig Huckaby 7-14-11
Checked by: *Keith Maddux* 7-19-11

290

FINAL PLANS

ROUTE	5	STATE	MO	DISTRICT	8	SHEET NO.	PM9
JOB NO.	J8P0902 ✓						
CONTRACT ID.	090626-501 ✓						
PROJECT NO.	FAF-5-2(28) ✓						
COUNTY	LACLEDE ✓						
DATE							

THIS MEDIA SHOULD NOT BE CONSIDERED A CERTIFIED DOCUMENT.

295

281+31.00

296+31.00

+52

FIELD ENT.




R2-1
STA 285+00



6" DOUBLE YELLOW

6" SOLID WHITE

6" INT. WHITE
9" CONTRAST

MISSOURI HIGHWAYS AND TRANSPORTATION COMMISSION	DATE	DESCRIPTION	BRIDGE NO.
 105 WEST CAPITOL JEFFERSON CITY, MO 65102 1-888-ASK-MDOT (1-888-275-6636)			DATE PREPARED

300

305

310

296+31.00

311+31.00

6" DOUBLE YELLOW

6" INT. WHITE
9" CONTRAST

6" SOLID WHITE

305+00

WATCH FOR
LEFT-TURNING
TRAFFIC IN
PASSING LANE

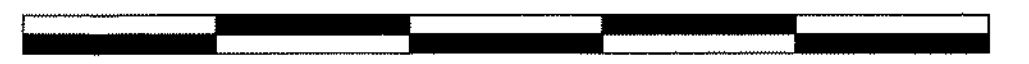


COMM ENT.

PAVEMENT MARKINGS
&
SIGNING

SHEET 9 OF 22

SCALE



0 100 200 300 400 500

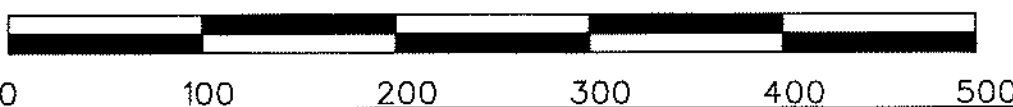
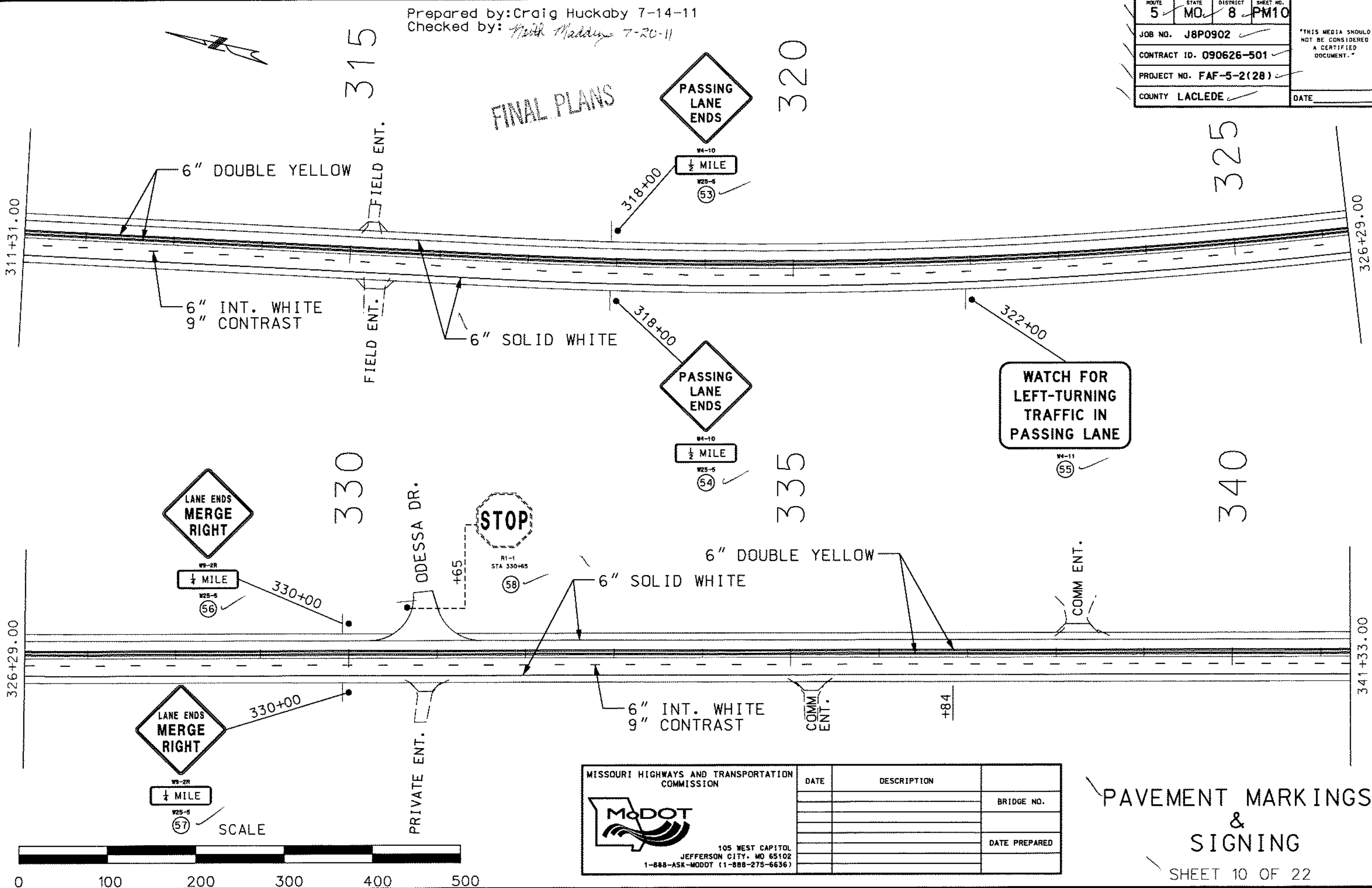
IF A SEAL IS PRESENT ON THIS SHEET IT HAS BEEN ELECTRONICALLY SEALED AND DATED.

Prepared by: Craig Huckaby 7-14-11
 Checked by: *Neil Maddy* 7-20-11

FINAL PLANS

ROUTE	STATE	DISTRICT	SHEET NO.
5	MO	8	PM10
JOB NO. J8P0902			
CONTRACT ID. 090626-501			
PROJECT NO. FAF-5-2(28)			
COUNTY LACLEDE			
			DATE

"THIS MEDIA SHOULD NOT BE CONSIDERED A CERTIFIED DOCUMENT."



MISSOURI HIGHWAYS AND TRANSPORTATION COMMISSION

105 WEST CAPITOL
 JEFFERSON CITY, MO 65102
 1-888-ASK-MODOT (1-888-273-6636)

DATE	DESCRIPTION	BRIDGE NO.

DATE PREPARED

PAVEMENT MARKINGS & SIGNING
 SHEET 10 OF 22

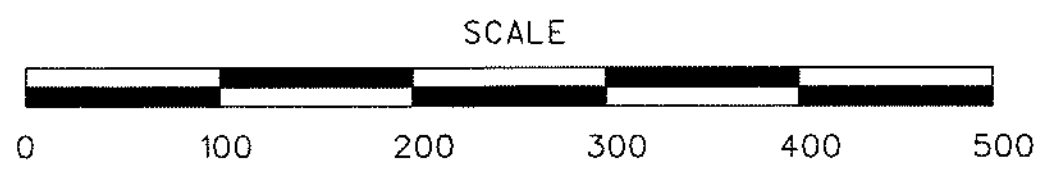
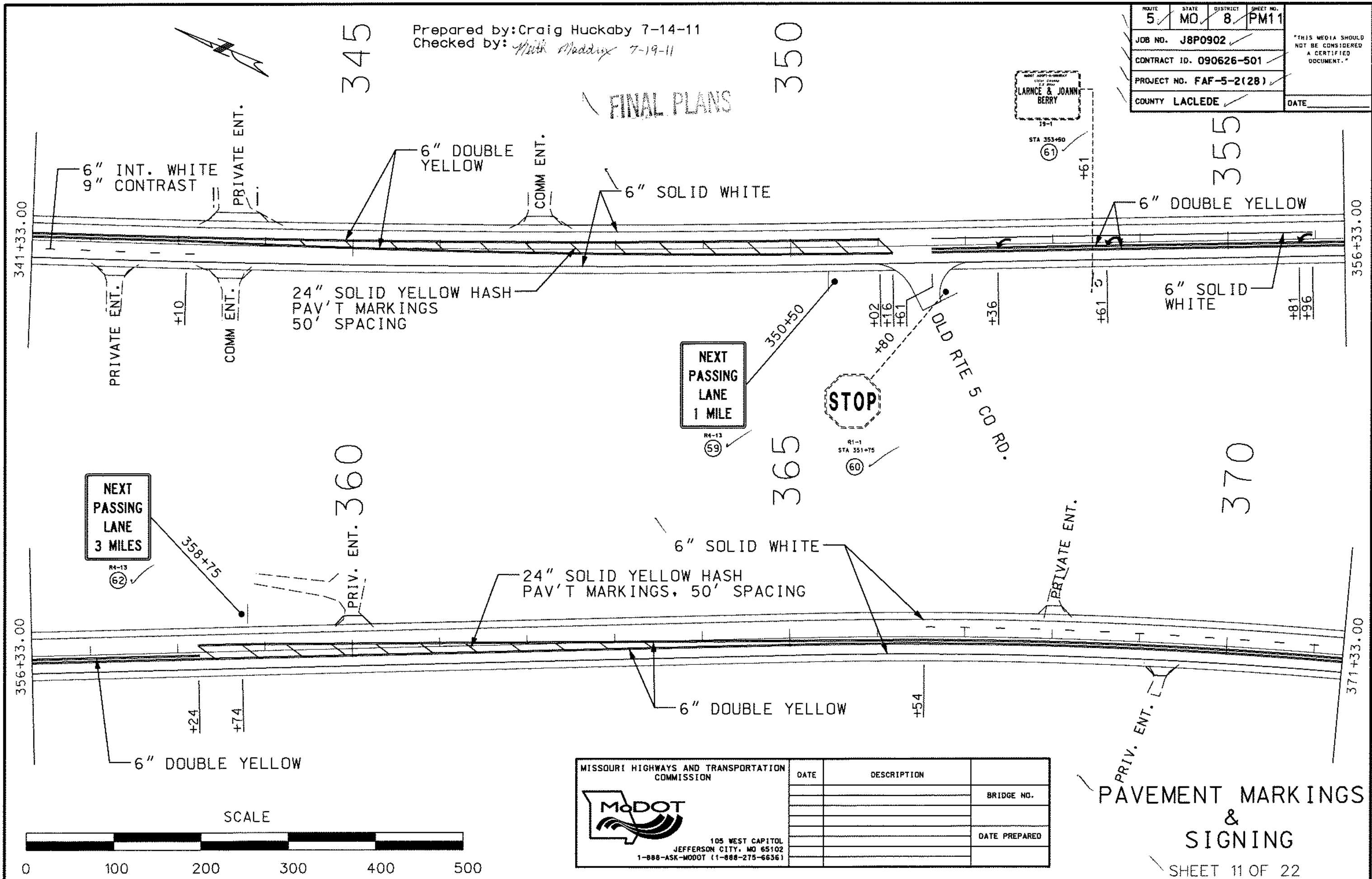
IF A SEAL IS PRESENT ON THIS SHEET IT HAS BEEN ELECTRONICALLY SEALED AND DATED.


ROUTE	STATE	DISTRICT	SHEET NO.
5	MO.	8	PM11
JOB NO. J8P0902			
CONTRACT ID. 090626-501			
PROJECT NO. FAF-5-2(28)			
COUNTY LACLEDE			
			DATE

"THIS MEDIA SHOULD NOT BE CONSIDERED A CERTIFIED DOCUMENT."

Prepared by: Craig Huckaby 7-14-11
 Checked by: *Keith Maddix* 7-19-11

FINAL PLANS



MISSOURI HIGHWAYS AND TRANSPORTATION COMMISSION	DATE	DESCRIPTION	BRIDGE NO.
 105 WEST CAPITOL JEFFERSON CITY, MO 65102 1-888-ASK-MODOT (1-888-275-6636)			DATE PREPARED

PAVEMENT MARKINGS & SIGNING
 SHEET 11 OF 22

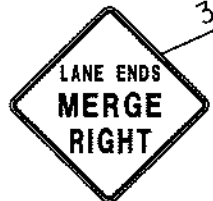
IF A SEAL IS PRESENT ON THIS SHEET IT HAS BEEN ELECTRONICALLY SEALED AND DATED.

375 Prepared by: Craig Huckaby 7-13-11
 Checked by: *Keith Maddox 7-19-11*

ROUTE	STATE	DISTRICT	PROJECT NO.
5	MO	8	PM12
JOB NO. J8P0902			
CONTRACT ID. 090626-501			
PROJECT NO. FAF-5-2(28)			
COUNTY LACLEDE			
			DATE

"THIS MEDIA SHOULD NOT BE CONSIDERED A CERTIFIED DOCUMENT."

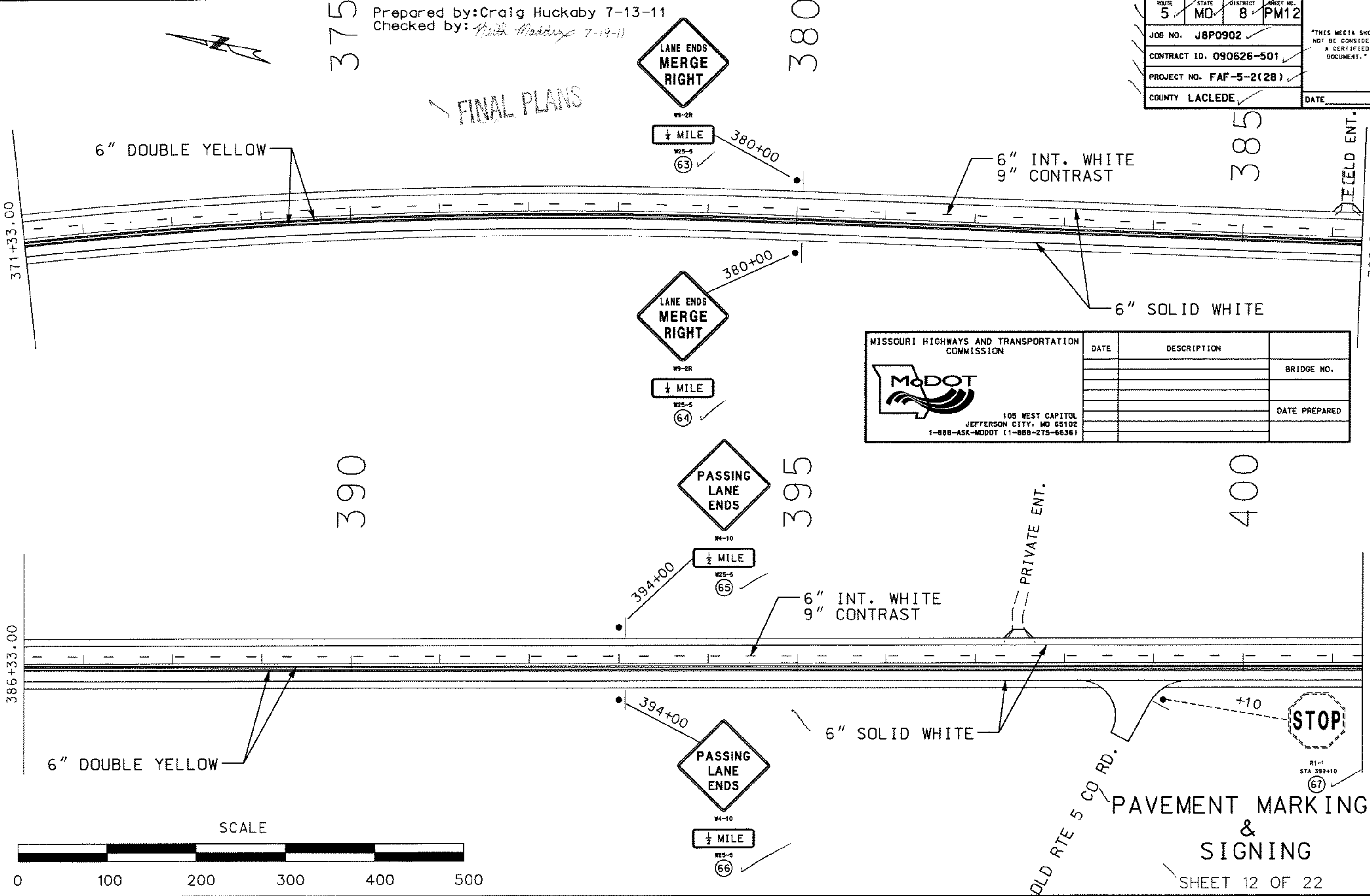
FINAL PLANS



MISSOURI HIGHWAYS AND TRANSPORTATION COMMISSION

105 WEST CAPITOL
 JEFFERSON CITY, MO 65102
 1-888-ASK-MODOT (1-888-275-6636)

DATE	DESCRIPTION	BRIDGE NO.	DATE PREPARED



6" DOUBLE YELLOW

6" DOUBLE YELLOW

6" INT. WHITE 9" CONTRAST

6" INT. WHITE 9" CONTRAST

6" SOLID WHITE

6" SOLID WHITE

PRIVATE ENT.

OLD RTE 5 CO RD.



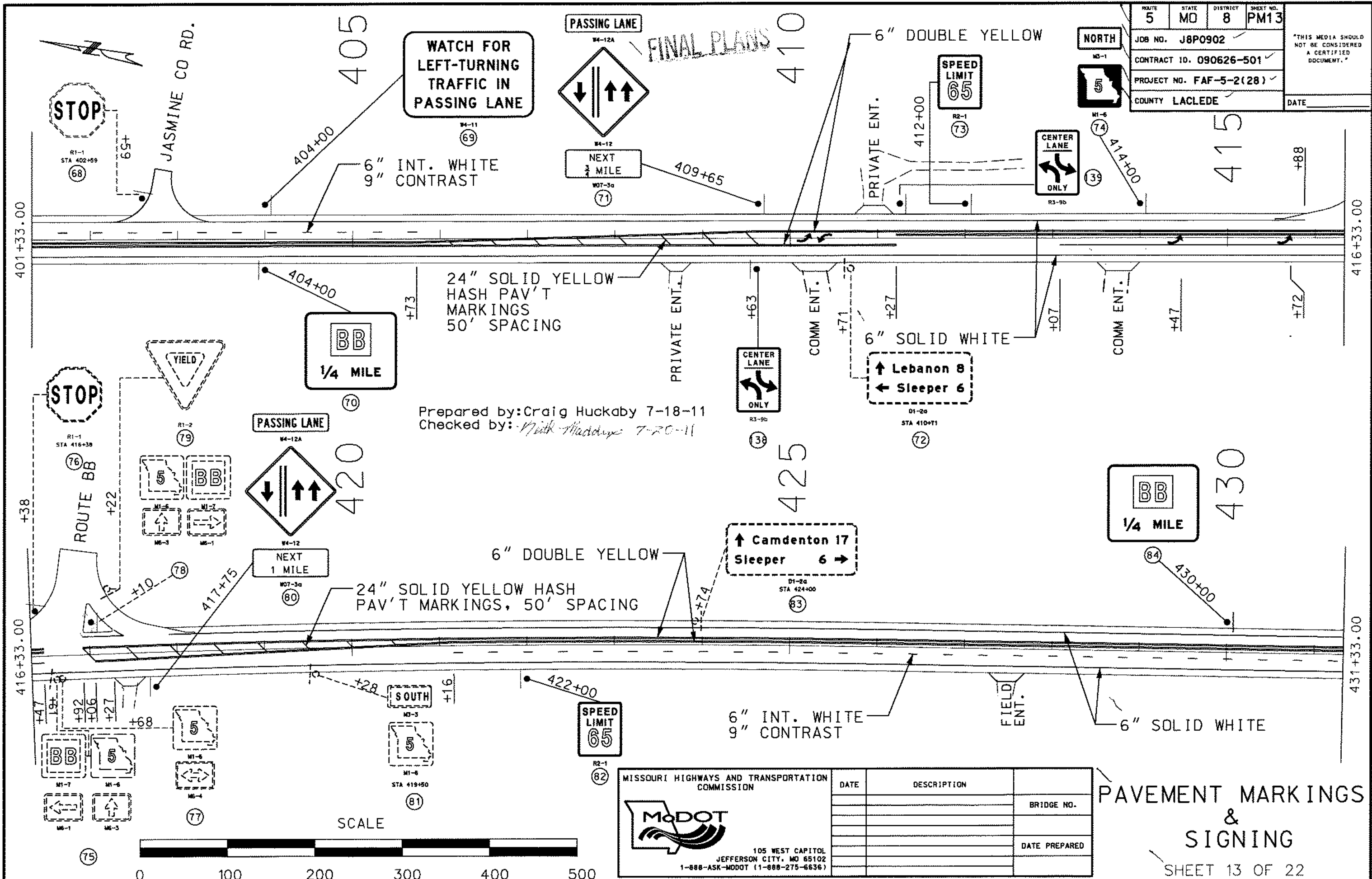
SCALE

PAVEMENT MARKINGS & SIGNING

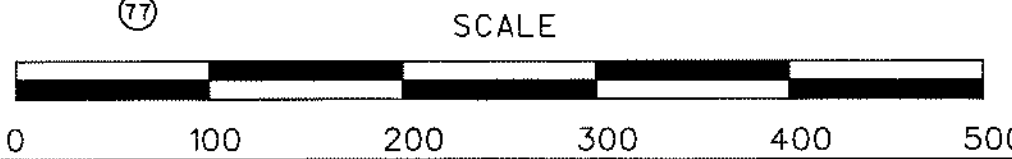
SHEET 12 OF 22

IF A SEAL IS PRESENT ON THIS SHEET IT HAS BEEN ELECTRONICALLY SEALED AND DATED.

ROUTE 5	STATE MO	DISTRICT 8	SHEET NO. PM13
JOB NO. J8P0902			
CONTRACT ID. 090626-501			
PROJECT NO. FAF-5-2(28)			
COUNTY LACLEDE			
DATE			"THIS MEDIA SHOULD NOT BE CONSIDERED A CERTIFIED DOCUMENT."



Prepared by: Craig Huckaby 7-18-11
 Checked by: *Mark Madryns* 7-20-11



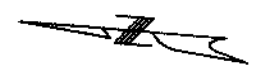
MISSOURI HIGHWAYS AND TRANSPORTATION COMMISSION

105 WEST CAPITOL
 JEFFERSON CITY, MO 65102
 1-888-ASK-MODOT (1-888-275-6636)

DATE	DESCRIPTION	BRIDGE NO.

DATE PREPARED

PAVEMENT MARKINGS & SIGNING
 SHEET 13 OF 22



435

Prepared by: Craig Huckaby 7-18-11
Checked by: *Neil Maddux* 7-19-11

440

FINAL PLANS

ROUTE 5	STATE MO	DISTRICT 8	SHEET NO. PM14
JOB NO. J8P0902 ✓			
CONTRACT ID. 090626-501 ✓			
PROJECT NO. FAF-5-2(28) ✓			
COUNTY LACLEDE ✓			
DATE			

"THIS MEDIA SHOULD NOT BE CONSIDERED A CERTIFIED DOCUMENT."

445

6" DOUBLE YELLOW

6" SOLID WHITE



+61

JONQUIL CO RD.

431+33.00

446+33.00

WATCH FOR LEFT-TURNING TRAFFIC IN PASSING LANE

6" INT. WHITE
9" CONTRAST



+87

JULIE RD.

433+00



450

455



460

1/2 MILE



461+00

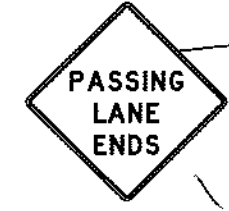
6" DOUBLE YELLOW

6" SOLID WHITE

446+33.00

461+33.00

6" INT. WHITE
9" CONTRAST

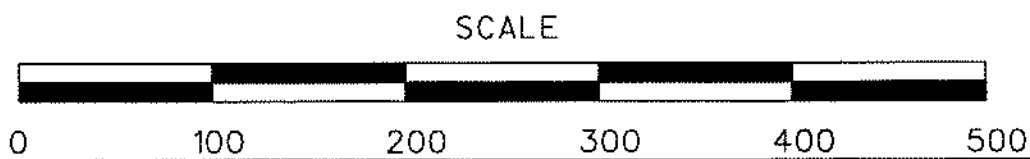


1/2 MILE



PAVEMENT MARKINGS & SIGNING

SHEET 14 OF 22



MISSOURI HIGHWAYS AND TRANSPORTATION COMMISSION



105 WEST CAPITOL
JEFFERSON CITY, MO 65102
1-888-ASK-MODOT (1-888-275-6636)

DATE	DESCRIPTION	BRIDGE NO.

DATE PREPARED

IF A SEAL IS PRESENT ON THIS SHEET IT HAS BEEN ELECTRONICALLY SEALED AND DATED.



465

Prepared by: Craig Huckaby 7-19-11
Checked by: *Nick Maddux 7-19-11*

470

FINAL PLANS

HEADLIGHTS ON WHEN WIPERS ARE REQUIRED

R16-S
STA 467+00



ROUTE	STATE	DISTRICT	SHEET NO.
5	MO	8	PM15
JOB NO. J8P0902			
CONTRACT ID. 090626-501			
PROJECT NO. FAF-5-2(28)			
COUNTY LACLEDE			DATE

"THIS MEDIA SHOULD NOT BE CONSIDERED A CERTIFIED DOCUMENT."

475

461+33.00

476+33.00

6" DOUBLE YELLOW

6" INT. WHITE
9" CONTRAST

6" SOLID WHITE



480

485

LARNE & JOANN BERRY

19-1
STA 483+00

490

476+33.00

491+33.00

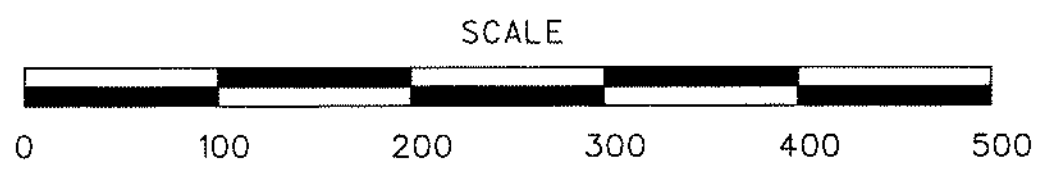
6" DOUBLE YELLOW

6" INT. WHITE
9" CONTRAST

6" SOLID WHITE

24" SOLID YELLOW
HASH PAV'T MARKINGS
50' SPACING

+58



MISSOURI HIGHWAYS AND TRANSPORTATION COMMISSION 105 WEST CAPITAL JEFFERSON CITY, MO 65102 1-888-ASK-MODOT (1-888-275-6636)	DATE	DESCRIPTION	BRIDGE NO.
			DATE PREPARED

PAVEMENT MARKINGS & SIGNING

SHEET 15 OF 22

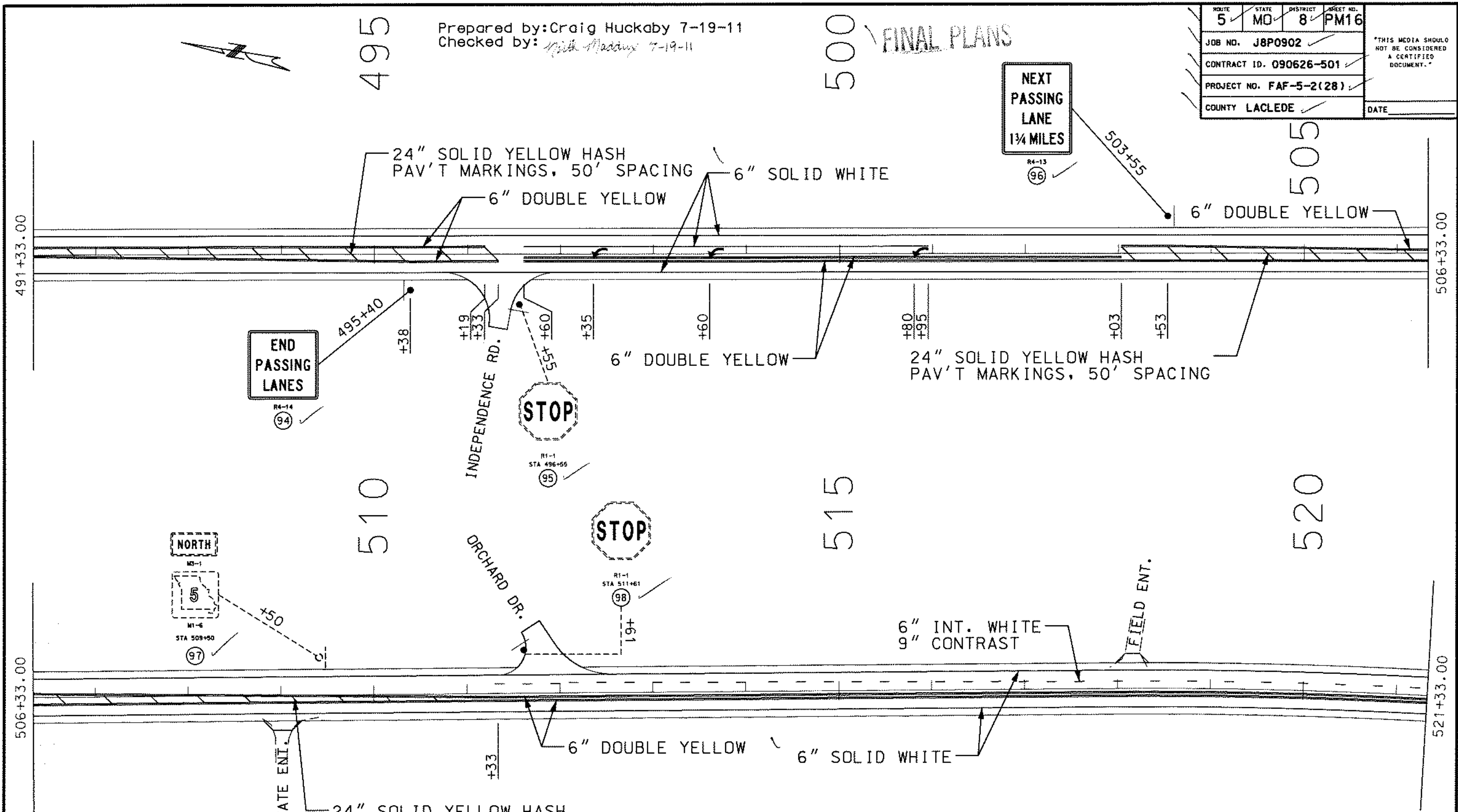
IF A SEAL IS PRESENT ON THIS SHEET IT HAS BEEN ELECTRONICALLY SEALED AND DATED.

Prepared by: Craig Huckaby 7-19-11
 Checked by: *Nikh Madhavi* 7-19-11

500 FINAL PLANS

ROUTE 5	STATE MO	DISTRICT 8	SHEET NO. PM16
JOB NO. J8P0902			
CONTRACT ID. 090626-501			
PROJECT NO. FAF-5-2(28)			
COUNTY LACLEDE			
			DATE

THIS MEDIA SHOULD NOT BE CONSIDERED A CERTIFIED DOCUMENT.



MISSOURI HIGHWAYS AND TRANSPORTATION COMMISSION

105 WEST CAPITOL
 JEFFERSON CITY, MO 65102
 1-888-ASK-MODOT (1-888-275-6636)

DATE	DESCRIPTION	BRIDGE NO.

PAVEMENT MARKINGS & SIGNING
 SHEET 16 OF 22

IF A SEAL IS PRESENT ON THIS SHEET IT HAS BEEN ELECTRONICALLY SEALED AND DATED.

525 Prepared by: Craig Huckaby 7-19-11
 Checked by: *Mark Maddox* 7-20-11

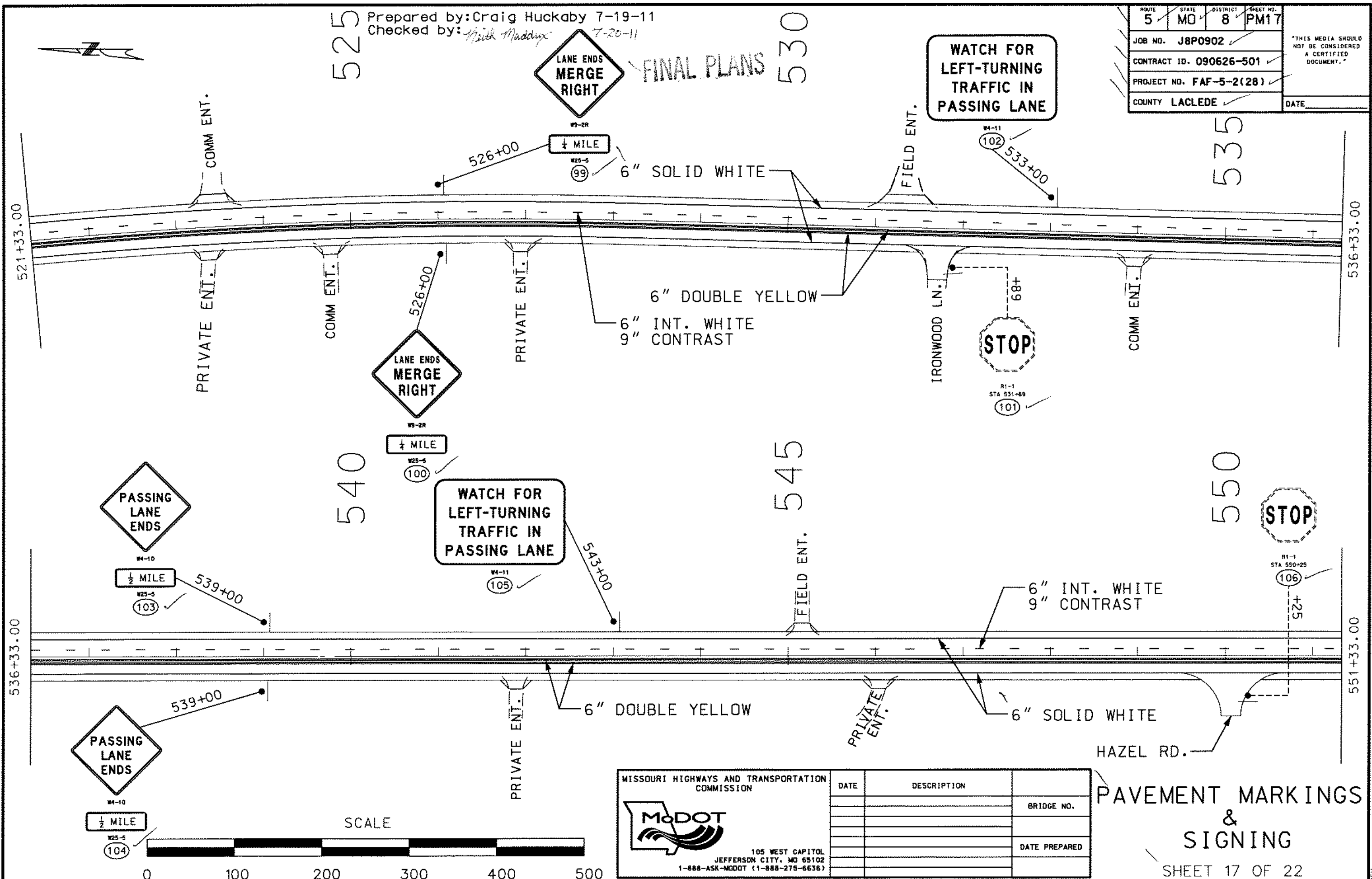
FINAL PLANS

530

ROUTE	STATE	DISTRICT	SHEET NO.
5	MO	8	PM17
JOB NO. J8P0902			
CONTRACT ID. 090626-501			
PROJECT NO. FAF-5-2(28)			
COUNTY LACLEDE			
			DATE

"THIS MEDIA SHOULD NOT BE CONSIDERED A CERTIFIED DOCUMENT."

535



540

545

550

MISSOURI HIGHWAYS AND TRANSPORTATION COMMISSION

105 WEST CAPITOL
 JEFFERSON CITY, MO 65102
 1-888-ASK-MODOT (1-888-275-6638)

DATE	DESCRIPTION	BRIDGE NO.

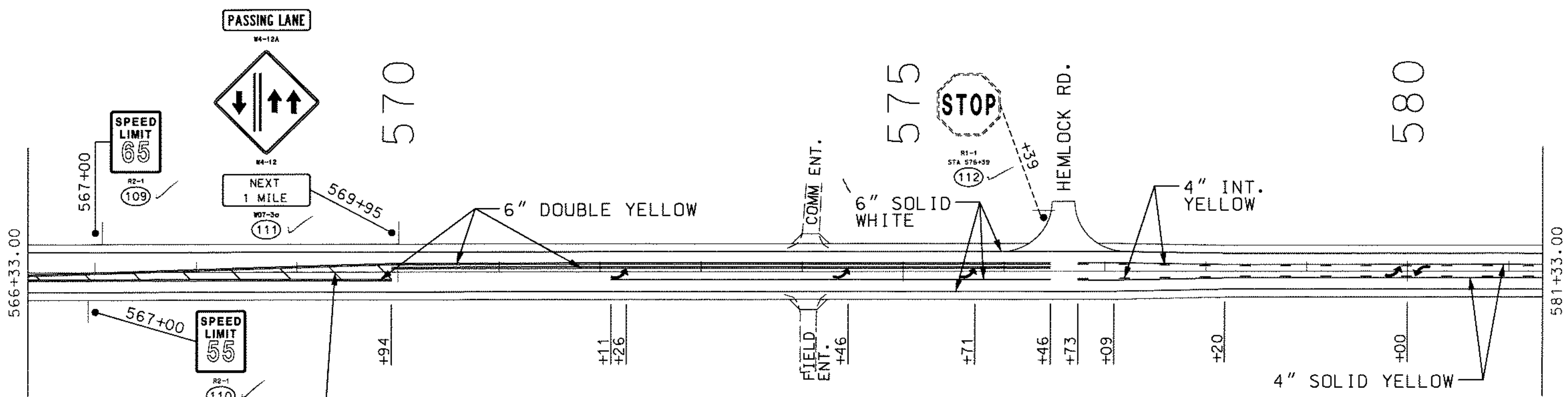
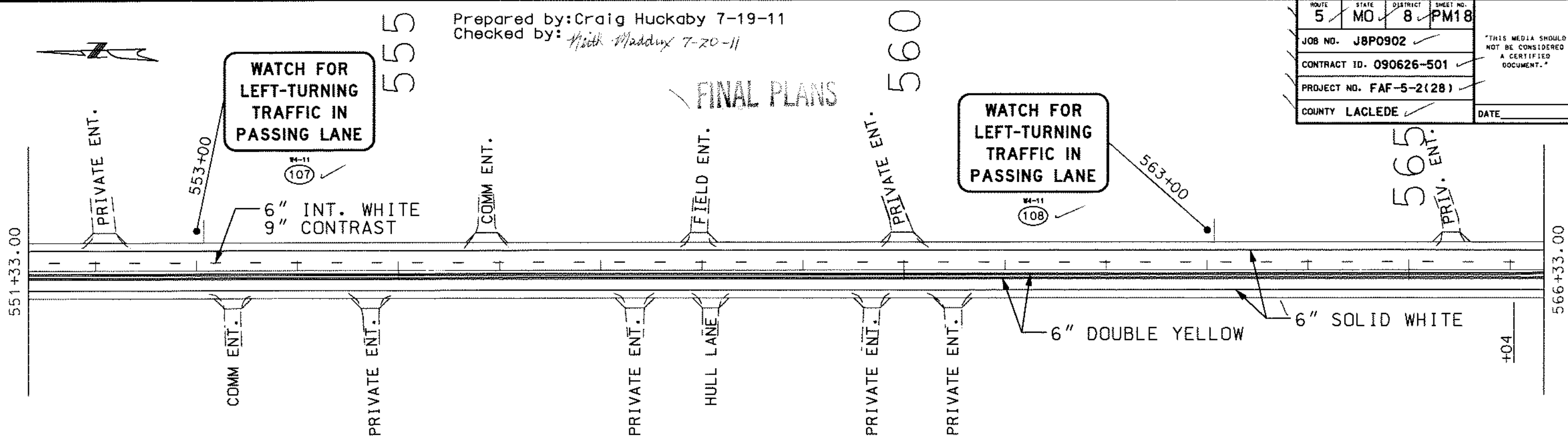
PAVEMENT MARKINGS & SIGNING
 SHEET 17 OF 22

Prepared by: Craig Huckaby 7-19-11
 Checked by: *Keith Maddux* 7-20-11

ROUTE	STATE	DISTRICT	SHEET NO.
5	MO	8	PM18
JOB NO. J8P0902 ✓			
CONTRACT ID. 090626-501 ✓			
PROJECT NO. FAF-5-2(28) ✓			
COUNTY LACLEDE ✓			
DATE			

"THIS MEDIA SHOULD NOT BE CONSIDERED A CERTIFIED DOCUMENT."

FINAL PLANS



24" SOLID YELLOW HASH
 PAV'T MARKINGS
 50' SPACING

SCALE



MISSOURI HIGHWAYS AND TRANSPORTATION COMMISSION

105 WEST CAPITOL
 JEFFERSON CITY, MO 65102
 1-888-ASK-MODOT (1-888-275-6636)

DATE	DESCRIPTION	BRIDGE NO.

PAVEMENT MARKINGS & SIGNING

SHEET 18 OF 22

IF A SEAL IS PRESENT ON THIS SHEET IT HAS BEEN ELECTRONICALLY SEALED AND DATED.

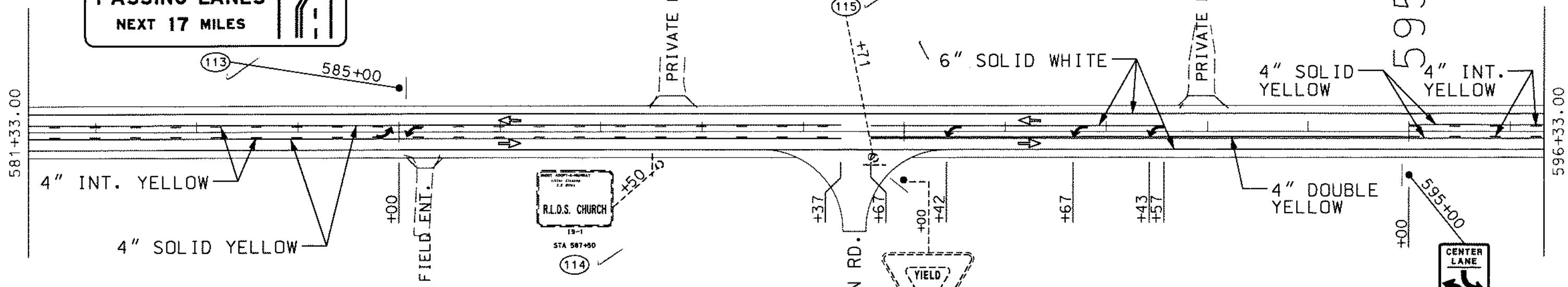
585
588
590
Prepared by: Craig Huckaby 7-19-11
Checked by: *Neil Maddox* 7-20-11

ROUTE	STATE	DISTRICT	SHEET NO.
5	MO	8	PM19
JOB NO. J8P0902			
CONTRACT ID. 090626-501			
PROJECT NO. FAF-5-2(28)			
COUNTY LACLEDE			
			DATE

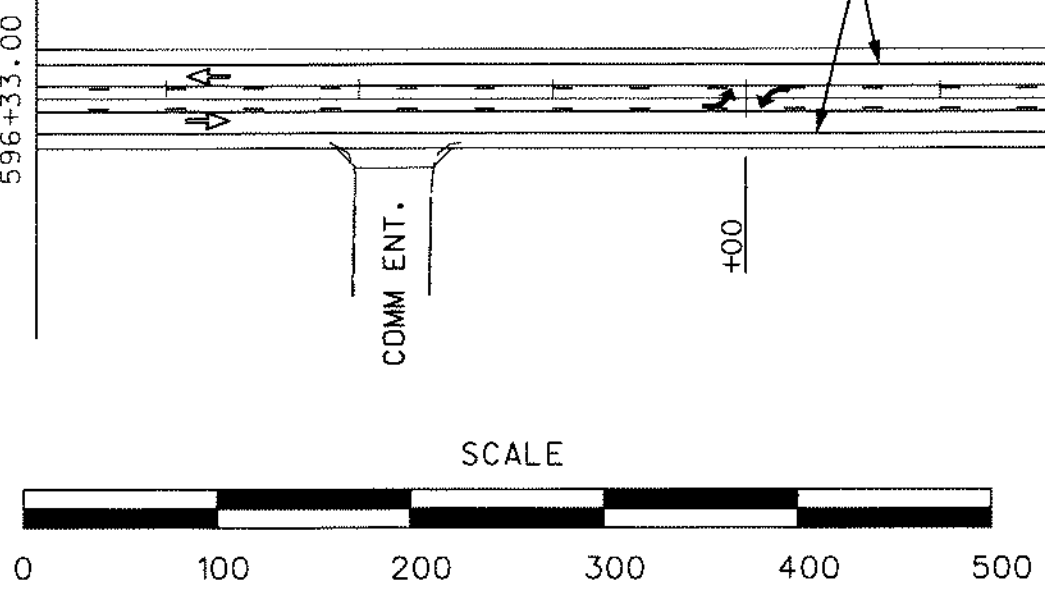
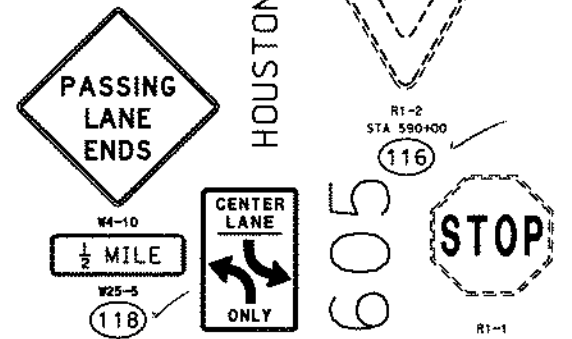
"THIS MEDIA SHOULD NOT BE CONSIDERED A CERTIFIED DOCUMENT."

ALTERNATING PASSING LANES
NEXT 17 MILES

STOP 590
FINAL PLANS



<p>MISSOURI HIGHWAYS AND TRANSPORTATION COMMISSION</p> <p>105 WEST CAPITOL JEFFERSON CITY, MO 65102 1-888-ASK-MODOT (1-888-275-6636)</p>	DATE	DESCRIPTION	BRIDGE NO.
			DATE PREPARED



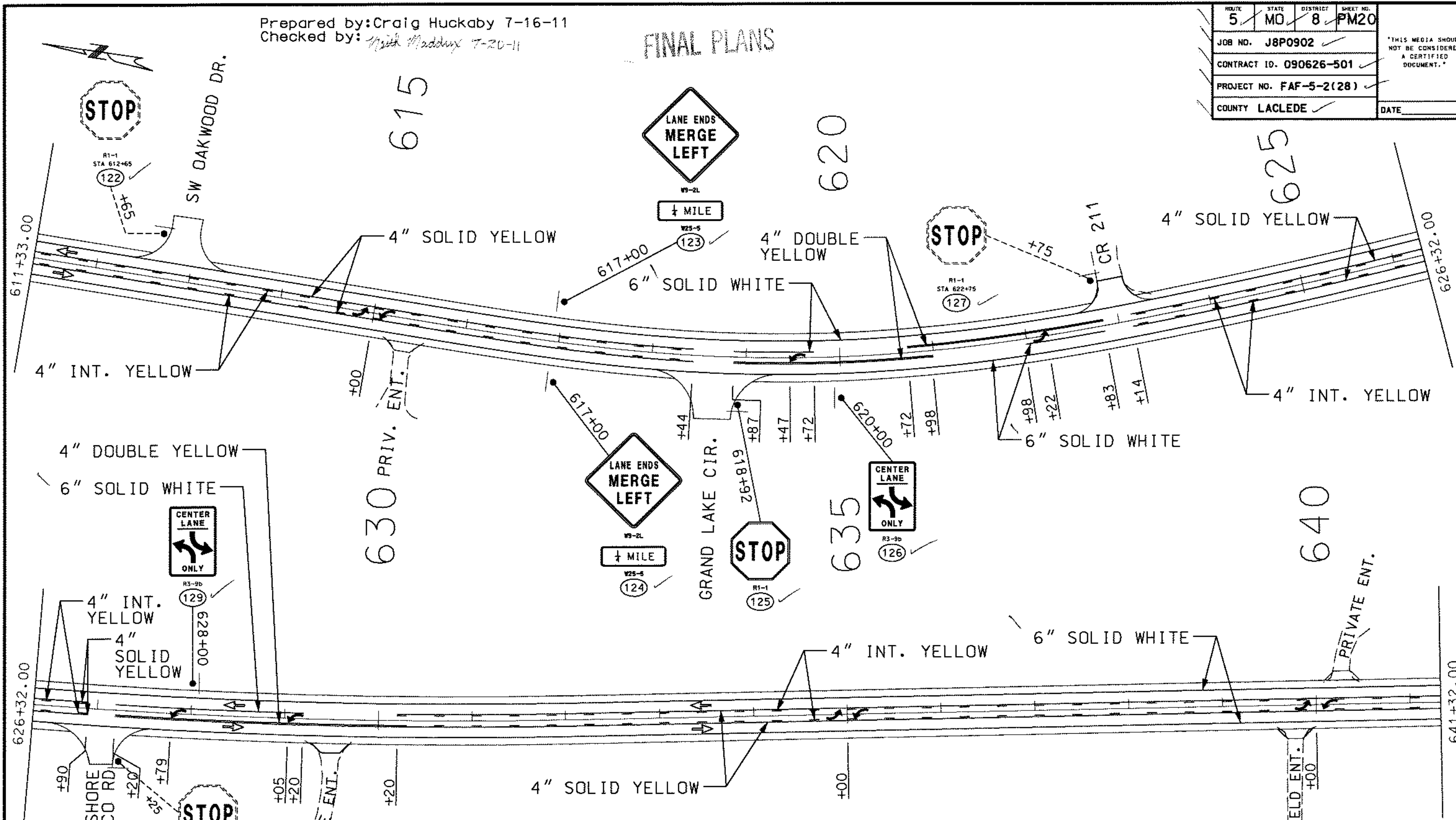
PAVEMENT MARKINGS & SIGNING

Prepared by: Craig Huckaby 7-16-11
 Checked by: *Myth Madhry* 7-20-11

FINAL PLANS

ROUTE	STATE	DISTRICT	SHEET NO.
5	MO	8	PM20
JOB NO. J8P0902			
CONTRACT ID. 090626-501			
PROJECT NO. FAF-5-2(28)			
COUNTY LACLEDE			
			DATE

THIS MEDIA SHOULD NOT BE CONSIDERED A CERTIFIED DOCUMENT.



MISSOURI HIGHWAYS AND TRANSPORTATION COMMISSION

105 WEST CAPITOL
 JEFFERSON CITY, MO 65102
 1-888-ASK-MODOT (1-888-275-6635)

DATE	DESCRIPTION	BRIDGE NO.

PAVEMENT MARKINGS & SIGNING

SHEET 20 OF 22

IF A SEAL IS PRESENT ON THIS SHEET IT HAS BEEN ELECTRONICALLY SEALED AND DATED.

ROUTE	STATE	DISTRICT	SHEET NO.
5	MO	8	PM21
JOB NO. J8P0902			
CONTRACT ID. 090626-501			
PROJECT NO. FAF-5-2(28)			
COUNTY LACLEDE			
DATE			

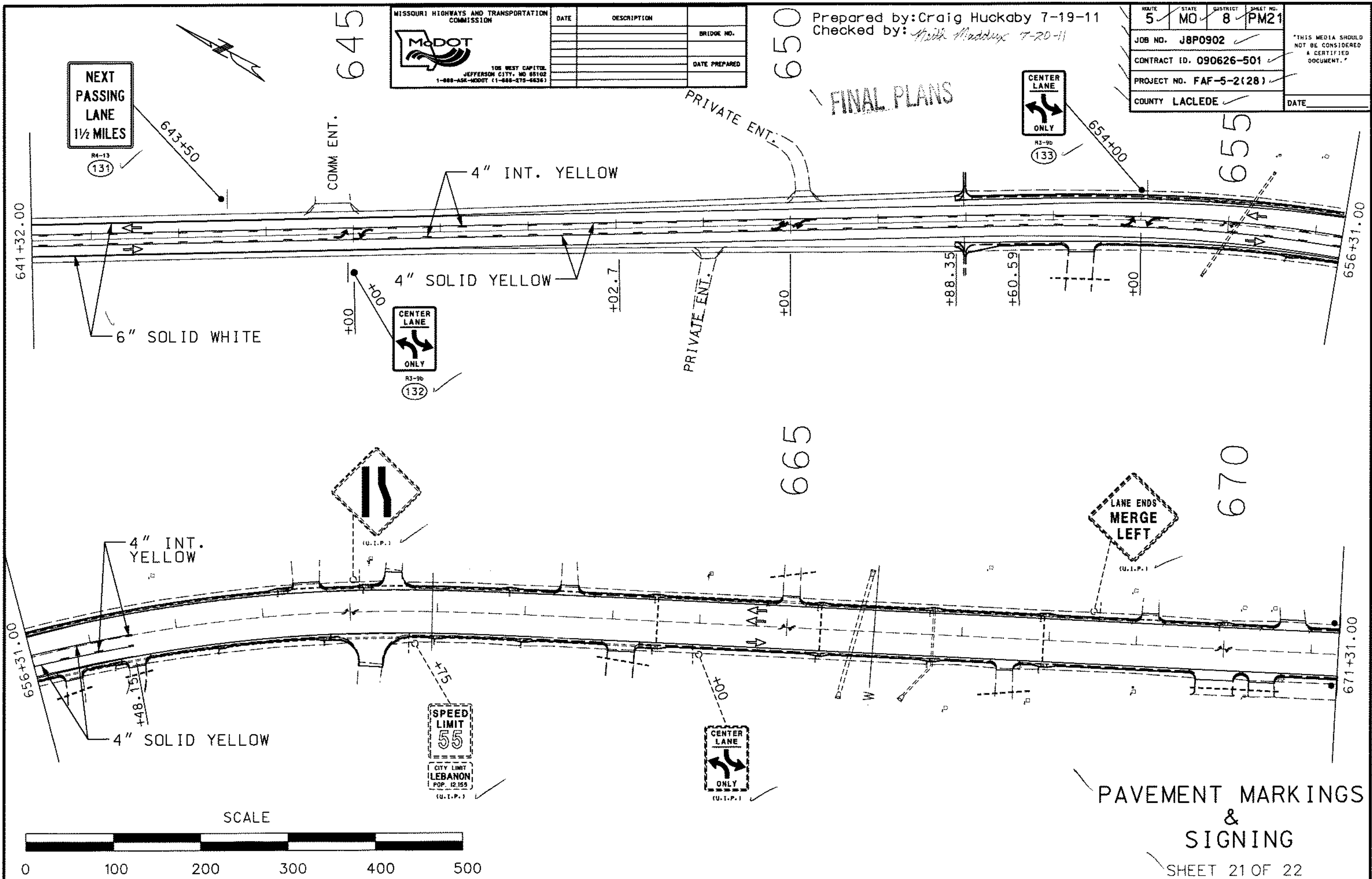
MISSOURI HIGHWAYS AND TRANSPORTATION COMMISSION		
DATE	DESCRIPTION	BRIDGE NO.
		DATE PREPARED

Prepared by: Craig Huckaby 7-19-11
 Checked by: *Keith Maddux 7-20-11*



FINAL PLANS

THIS MEDIA SHOULD NOT BE CONSIDERED A CERTIFIED DOCUMENT.



645

650

655

665

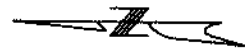
670

SCALE



PAVEMENT MARKINGS & SIGNING

SHEET 21 OF 22



Prepared by: Craig Huckaby 7-19-11
 Checked by: *Mark Maddux* 7-20-11

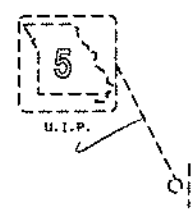
FINAL PLANS

ROUTE 5	STATE MO	DISTRICT 8	SHEET NO. PM22	*THIS MEDIA SHOULD NOT BE CONSIDERED A CERTIFIED DOCUMENT.*
JOB NO. J8P0902				
CONTRACT ID. 090626-501				
PROJECT NO. FAF-5-2(28)				
COUNTY LACLEDE				DATE

675

680

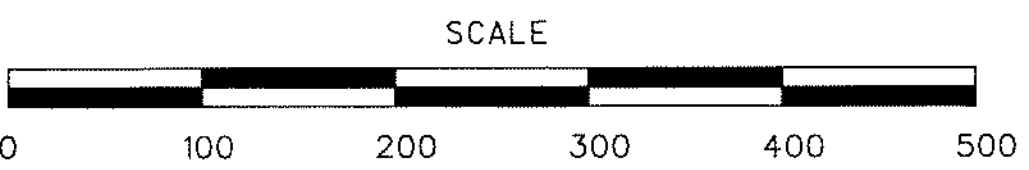
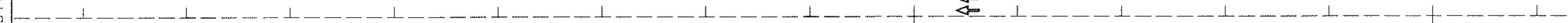
685



Camdenton	23
Versailles	60
Boonville	103

671+31.00

686+31.00



MISSOURI HIGHWAYS AND TRANSPORTATION COMMISSION 105 WEST CAPITAL JEFFERSON CITY, MO 65102 1-888-ASK-MODOT (1-888-275-8656)	DATE	DESCRIPTION	BRIDGE NO.
			DATE PREPARED

PAVEMENT MARKINGS & SIGNING
 SHEET 22 OF 22

IF A SEAL IS PRESENT ON THIS SHEET, IT HAS BEEN ELECTRONICALLY SEALED AND DATED.

Prepared by : Keith Maddux 07-25-11

Checked by :

MISSOURI HIGHWAYS AND TRANSPORTATION COMMISSION



105 WEST CAPITOL
JEFFERSON CITY, MO 65102
1-888-ASK-MODOT (1-888-275-6636)

DATE	DESCRIPTION	ROUTE	STATE	DISTRICT	SHEET NO.
		5	MO	8	PM25
	BRIDGE NO.	JOB NO. J8P0902			
	DATE PREPARED	CONTRACT ID. 090626-501			
		PROJECT NO. FAF-5-2 (28)			
		COUNTY LACLEDE			
		DATE			

THIS MEDIA SHOULD NOT BE CONSIDERED A CERTIFIED DOCUMENT.

NOTE: SIGN #130 HAS BEEN REMOVED

*QTY. denotes number of posts, but post length pay item includes total for both posts together. Individual post lengths noted on signing cross-section sheets.

FINAL PLANS

SIGN NO.	STA.	SIGN DTL. SHT. NO.	LOC.	SIGN SIZE IN X IN	STRUCT. STEEL POSTS ITEM NO. 903-12.10				BACKING BARS 2" X 1/2" BARS @ 2.55 LB/L.F. ITEM NO. 903-12.10				PERFORATED SQUARE STEEL TUBE					BREAKAWAY ASSEMBLY ITEM NO. 903-12.40 EACH	CONC FTG'S EMBEDDED ITEM NO. 903-10.10 C.Y.	REMARKS							
					POST DESIGN NO.	POST #1 L.F.	POST #2 L.F.	POST WT. LB/FT	TOTAL LBS	QTY *	LGTH IN.	LGTH L.F.	TOTAL LBS	2" POST ITEM NO. 903-12.70 EACH	L.F.	2.5" ANCHOR SLEEVE ITEM NO. 903-12.71 L.F.	2.25" POST ITEM NO. 903-99.03 L.F.				2.5" POST ITEM NO. 903-99.03 L.F.	3" ANCHOR SLEEVE ITEM NO. 903-99.03 L.F.					
																							EACH	L.F.	L.F.	L.F.	L.F.
123	617+00	PM20	LT	36 X 36																							
124	617+00	PM20	RT	36 X 36																							
125	618+92	PM20	RT	36 X 36																							
126	620+00	PM20	RT	24 X 36																							
127	622+75	PM20	LT	36 X 36																							
128	627+25	PM20	RT	36 X 36																							
129	628+00	PM20	LT	24 X 36																							
131	643+50	PM21	LT	36 X 48																							
132	645+00	PM21	RT	24 X 36																							
133	654+00	PM21	LT	24 X 36																							
138	409+63		RT	24 X 36																							
139	413+07		LT	24 X 36																							
SUBTOTALS					0	0	129.50	31.50	0.00	50.00	10.50	0	1.08														
TOTALS					3778	892	218	128	1124	258	51	15.9															

NOTE: STRUCTURAL STEEL POSTS AND BACKING BARS TOTALED TOGETHER

IF A SEAL IS PRESENT ON THIS SHEET, IT HAS BEEN ELECTRONICALLY SEALED AND DATED.

ROUTE	STATE	DISTRICT	SHEET NO.
5	MO	8	PM29
JOB NO. J8P0902			
CONTRACT (D. 090626-501)			
PROJECT NO. FAF-5-2(28)			
COUNTY LACLEDE			
			DATE

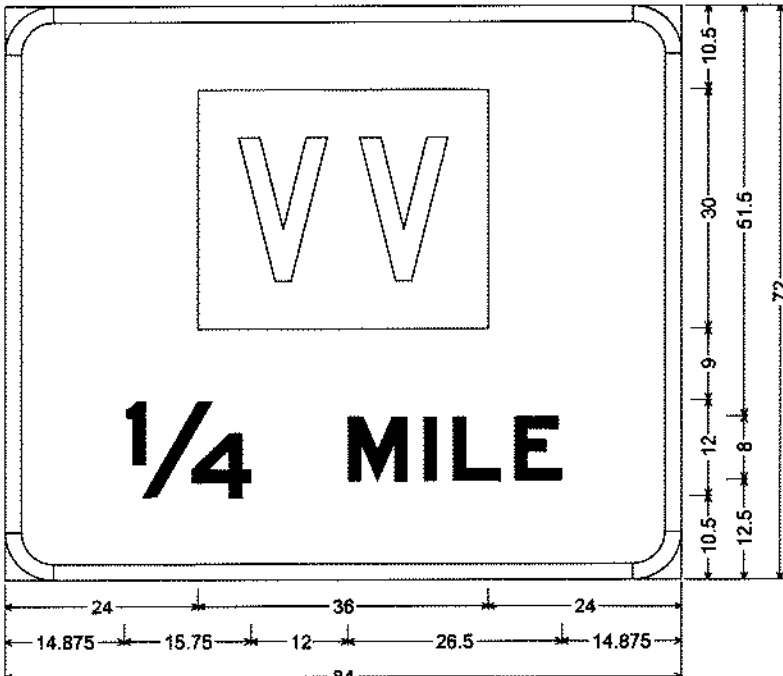
THIS MEDIA SHOULD NOT BE CONSIDERED A CERTIFIED DOCUMENT.

SIGN NO.	33
STATION	250+00.0
ROADWAY	RTE 5 RT

SIGN NO.	48
STATION	276+00.0
ROADWAY	RTE 5 LT

Prepared by Craig Huckaby 7-20-11
Checked by: *Craig Huckaby* 7-20-11

FINAL PLANS

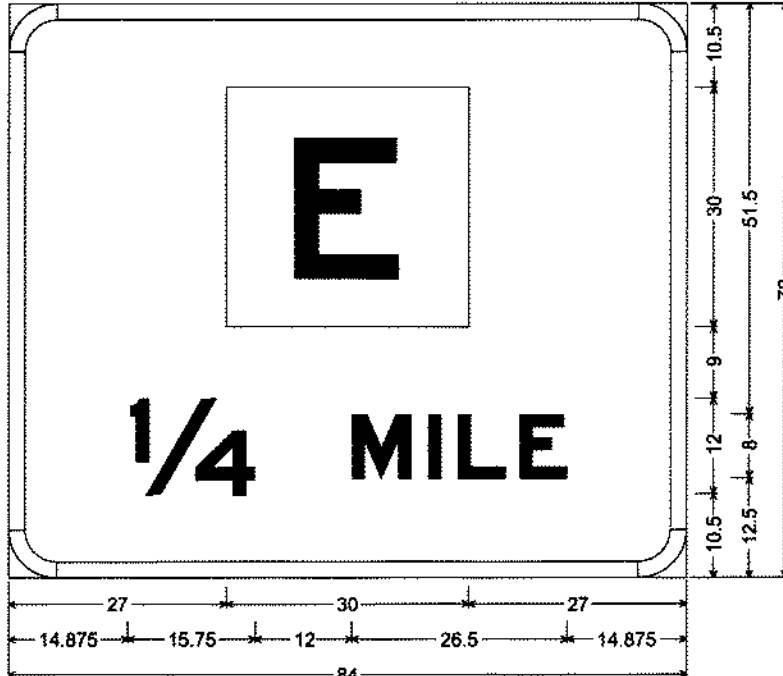


SIGN NO.	20
STATION	207+00.0
ROADWAY	RTE 5 RT

SIGN NO.	31
STATION	234+00.0
ROADWAY	RTE 5 LT

J8P0902 Signs 20 and 31 E1-1ST STR2L3;
6.000" Radius, 2.000" Border, White on Green;
State Highway VV M1-7b; [1/4] E Mod; [MILE] E Mod;
Table of letter and object lefts.

VV	24.000			
1/4	M	I	L	E
14.875	42.625	52.000	55.625	63.250



J8P0902 Signs 33 and 48 E1-1ST STR2L3;
6.000" Radius, 2.000" Border, White on Green;
State Highway E M1-7b; [1/4] E Mod; [MILE] E Mod;
Table of letter and object lefts.

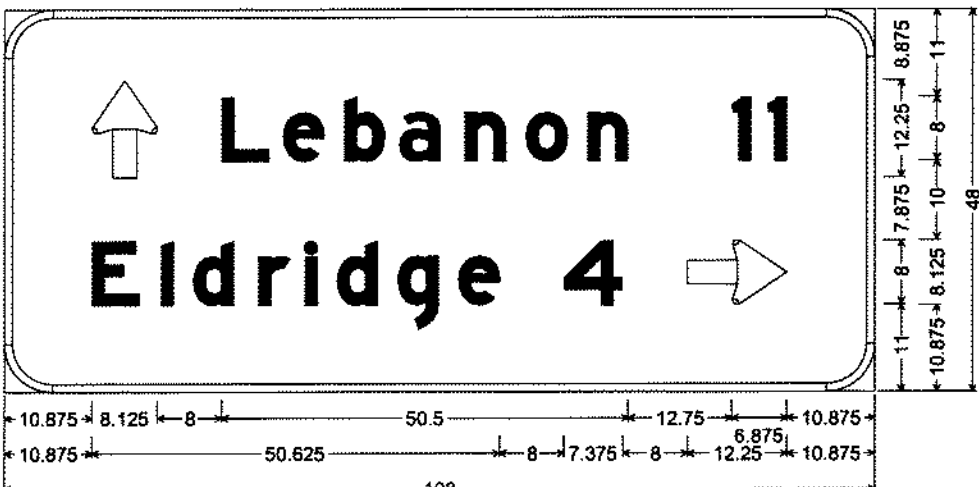
E	27.000			
1/4	M	I	L	E
14.875	42.625	52.000	55.625	63.250

SIGN NO.	35
STATION	258+00.0
ROADWAY	RTE 5 RT

SIGN NO.	43
STATION	267+50.0
ROADWAY	RTE 5 LT

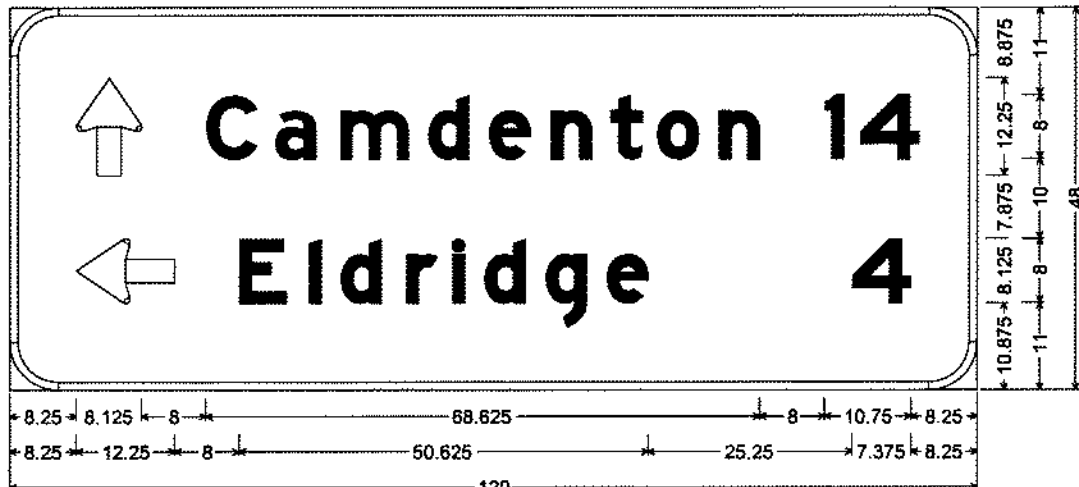
SIGN NO.	45
STATION	270+41.7
ROADWAY	RTE 5 RT

SIGN NO.	46
STATION	273+08.3
ROADWAY	RTE 5 LT



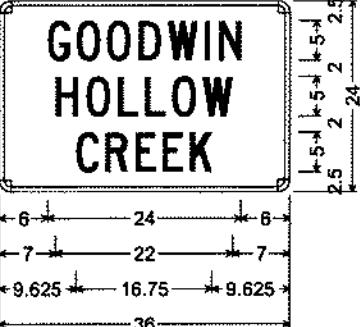
J8P0902 Sign 35 D1-2ST STR2L3; 6.000" Radius, 1.000" Border, White on Green;
Standard Arrow Custom 12.250" X 8.125" 90°; [Lebanon] E Mod; [11] E Mod;
[Eldridge] E Mod; [4] E Mod; Standard Arrow Custom 12.250" X 8.125" 0°;
Table of letter and object lefts.

↑	L	e	b	a	n	o	n	1	1
10.875	27.000	34.625	42.125	49.000	57.125	64.750	72.375	90.250	94.750
E	i	d	r	i	d	g	e	4	⇒
10.875	19.500	23.375	31.625	37.375	41.250	48.875	56.375	69.500	84.875



J8P0902 Sign 43 D1-2ST STR2L3; 6.000" Radius, 1.000" Border, White on Green;
Standard Arrow Custom 12.250" X 8.125" 90°; [Camdenton] E Mod; [14] E Mod;
Standard Arrow Custom 12.250" X 8.125" 180°; [Eldridge] E Mod; [4] E Mod;
Table of letter and object lefts.

↑	C	a	m	d	e	n	t	o	n	1	4
8.250	24.375	32.875	41.000	51.875	59.375	67.000	74.375	80.125	87.875	101.000	105.375
⇐	E	i	d	r	i	d	g	e	4		
8.250	28.500	37.000	41.000	49.125	54.875	58.875	66.375	74.000	104.375		



J8P0902 Signs 45 and 46 I3-3ST STR2L3;
1.500" Radius, 0.625" Border, White on Green;
[GOODWIN] C;
[HOLLOW] C; [CREEK] C;
Table of letter and object lefts.

G	O	O	D	W	I	N
6.000	9.625	13.375	17.250	20.875	25.500	27.250
H	O	L	L	O	W	
7.000	10.875	14.750	18.125	21.500	25.250	
C	R	E	E	K		
9.625	13.125	17.000	20.375	23.625		

MISSOURI HIGHWAYS AND TRANSPORTATION COMMISSION

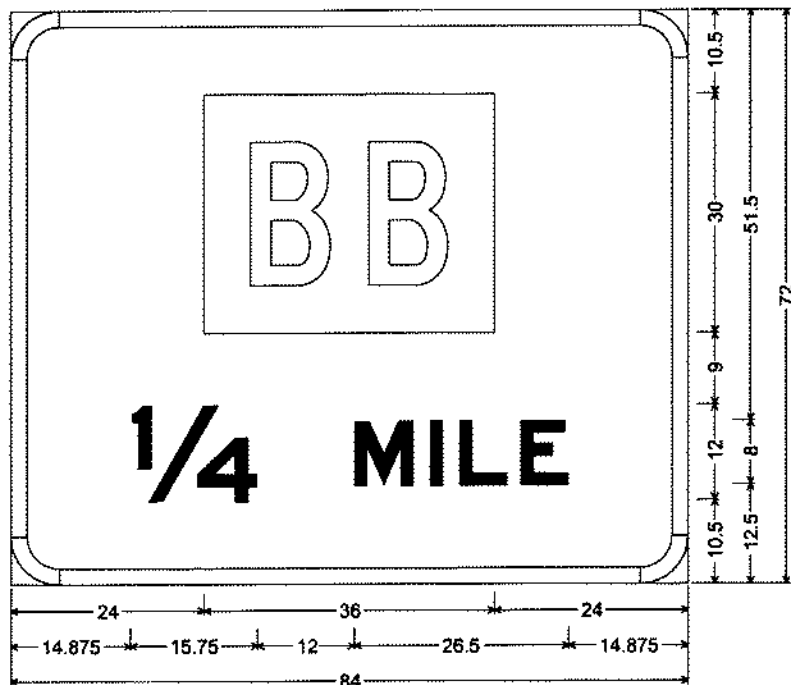
105 WEST CAPITOL
JEFFERSON CITY, MO 65102
1-888-ASK-MDOT (1-888-275-6636)

Prepared by: Craig Huckaby 7-20-11
 Checked by: *Spink Maddox 7-20-11*

SIGN NO.	72
STATION	411+00.0
ROADWAY	RTE 5 RT

ROUTE	5	STATE	MO	DISTRICT	8	SHEET NO.	PM30
JOB NO.	J8P0902						
CONTRACT ID.	090626-501						
PROJECT NO.	FAF-5-2(28)						
COUNTY	LACLEDE						
DATE							

"THIS MEDIA SHOULD NOT BE CONSIDERED A CERTIFIED DOCUMENT."

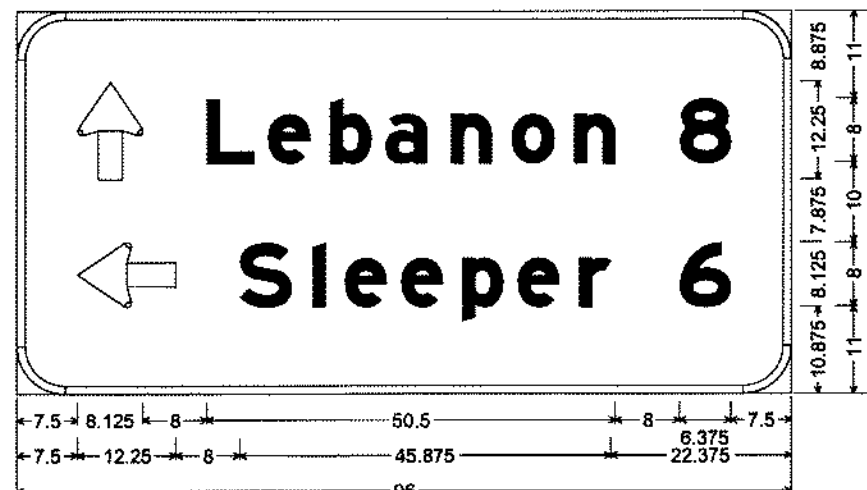


SIGN NO.	70
STATION	404+00.0
ROADWAY	RTE 5 RT

SIGN NO.	84
STATION	430+00.0
ROADWAY	RTE 5 LT

J8P0902 Signs 70 and 84 E1-1ST STR2L3;
 6.000" Radius, 2.000" Border, White on Green;
 State Highway BB M1-7b; [1/4] E Mod; [MILE] E Mod;
 Table of letter and object lefts.

BB	24.000			
1/4	M	I	L	E
14.875	42.625	52.000	55.625	63.250

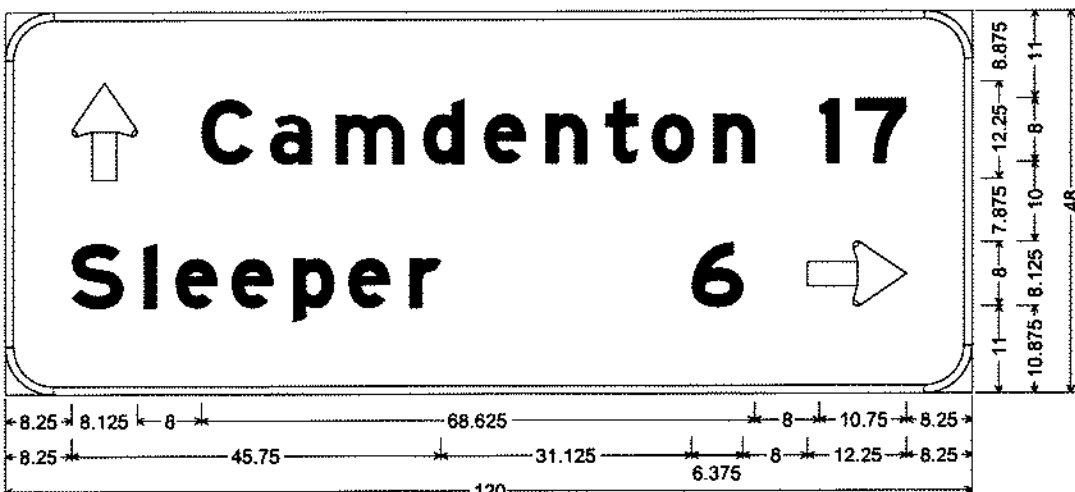


J8P0902 Sign 72 D1-2ST STR2L3;
 6.000" Radius, 1.000" Border, White on Green;
 Standard Arrow Custom 12.250" X 8.125" 90°; [Lebanon] E Mod; [8] E Mod;
 Standard Arrow Custom 12.250" X 8.125" 180°; [Sleeper] E Mod; [6] E Mod;
 Table of letter and object lefts.

↑	L	e	b	a	n	o	n	8
7.500	23.625	31.125	38.750	45.625	53.750	61.375	69.000	82.125
←	S	l	e	e	p	e	r	6
7.500	27.750	36.750	40.625	47.625	55.250	62.000	69.625	82.125

FINAL PLANS

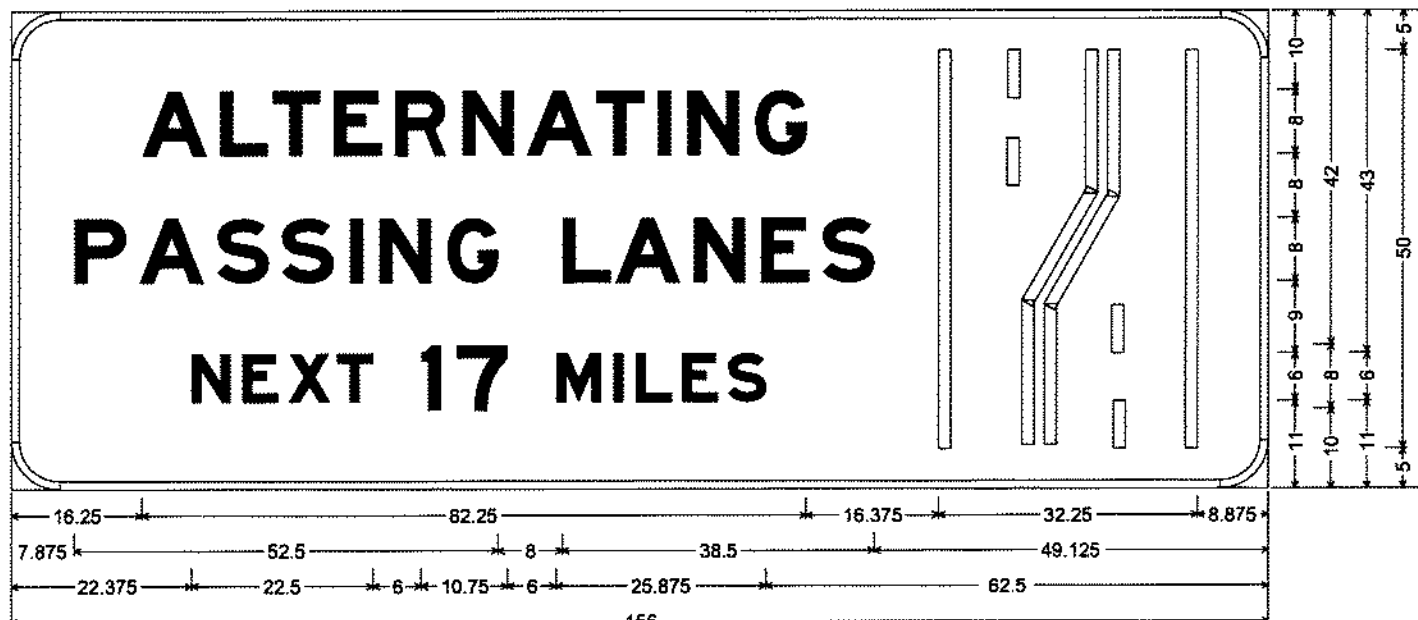
SIGN NO.	113
STATION	559+00.0
ROADWAY	RTE 5 LT



SIGN NO.	83
STATION	424+00.0
ROADWAY	RTE 5 LT

J8P0902 Sign 83 D1-2ST STR2L3; 6.000" Radius, 1.000" Border, White on Green;
 Standard Arrow Custom 12.250" X 8.125" 90°; [Camdenton] E Mod; [17] E Mod; [Sleeper] E Mod;
 [6] E Mod; Standard Arrow Custom 12.250" X 8.125" 0°;
 Table of letter and object lefts.

↑	C	a	m	d	e	n	t	o	n	17	
8.250	24.375	32.875	41.000	51.875	59.375	67.000	74.375	80.125	87.875	101.000	105.375
S	l	e	e	p	e	r	6	→			
8.250	17.125	21.125	28.125	35.625	42.500	50.125	85.125	99.500			



Sign 96; 6.000" Radius, 1.000" Border, White on Green;
 [ALTERNATING] E Mod; [PASSING LANES] E Mod; [NEXT 7 MILES] E Mod;
 Table of letter and object lefts.

A	L	T	E	R	N	A	T	I	N	G	
16.250	25.875	32.375	39.875	47.500	56.000	64.000	72.500	80.125	83.750	92.125	114.875
P	A	S	S	I	N	G	L	A	N	E	S
7.875	15.875	25.500	33.500	42.000	45.625	54.000	68.375	74.875	84.500	93.000	100.500
N	E	X	T	I	7	M	I	L	E	S	
22.375	28.625	34.375	40.375	50.875	55.250	67.625	74.625	77.375	83.125	88.750	

MISSOURI HIGHWAYS AND TRANSPORTATION COMMISSION

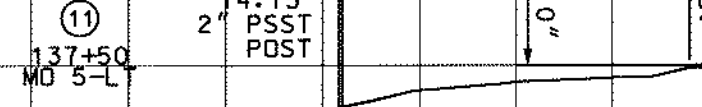
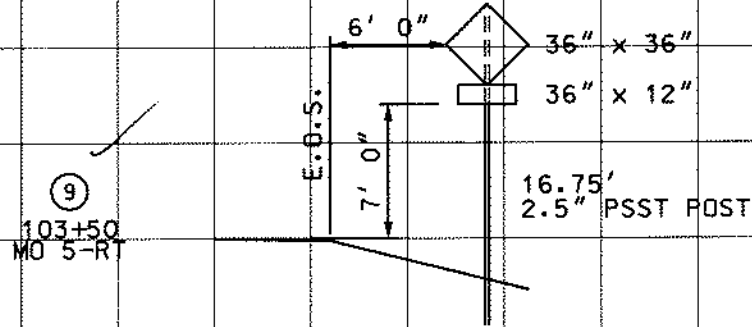
105 WEST CAPITOL
 JEFFERSON CITY, MO 65102
 1-888-ASK-MODOT (1-888-275-6636)

FINAL PLANS

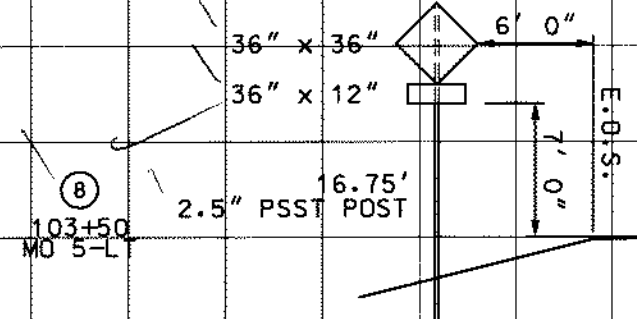
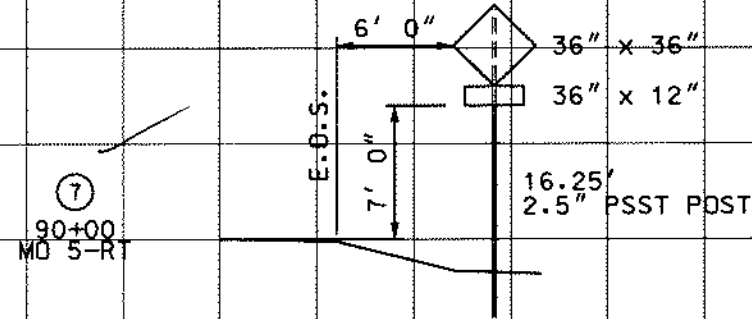
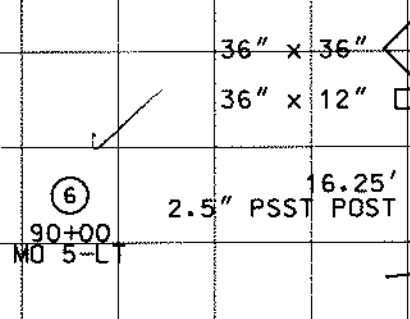
Prepared by: Craig Huckaby 7-20-11
 Checked by: Keith Maddux 7-25-11

ROUTE 5	STATE MO	DISTRICT 8	SHEET NO. PM31
JOB NO. J8P0902			
CONTRACT ID. 090626-501			
PROJECT NO. FAF-5-2(28)			
COUNTY LACLEDE			
			DATE

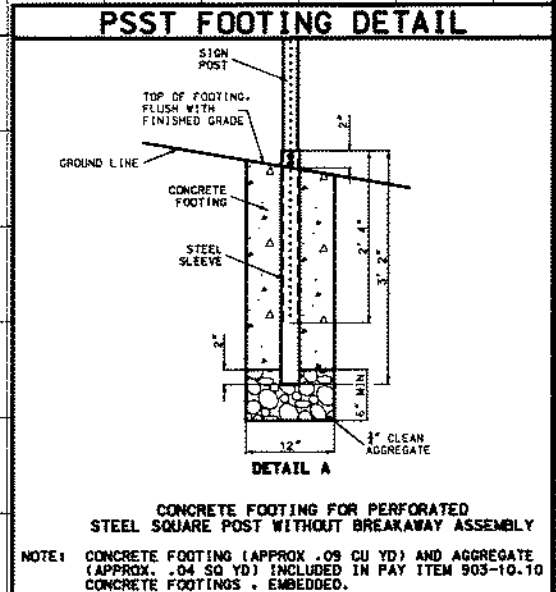
"THIS MEDIA SHOULD NOT BE CONSIDERED A CERTIFIED DOCUMENT."



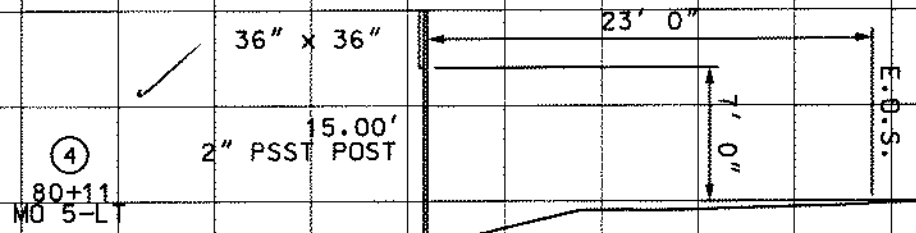
SIGN FACE WILL BE SKEWED TO FACE ON-COMING TRAFFIC FROM CLATHE DR.



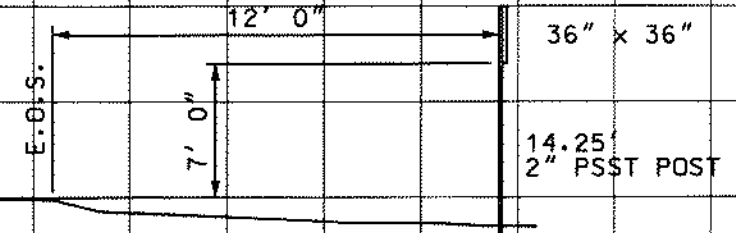
NOTES:
 * Backing bar details shown in Standard Plan 903.02.
 * Island detail shown in Standard Plan 203.50



SIGN FACE WILL BE SKEWED TO FACE ON-COMING TRAFFIC FROM LIVINGSTON RD.



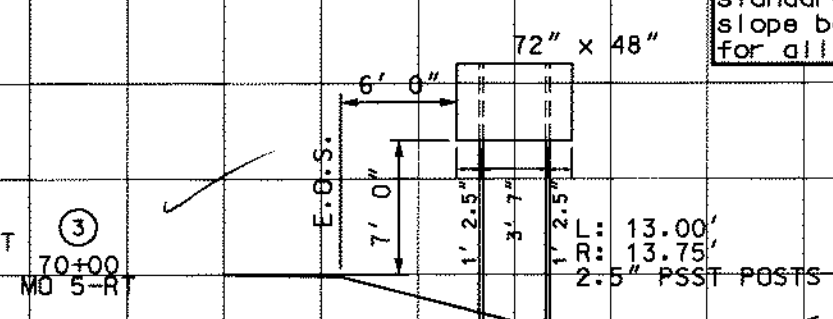
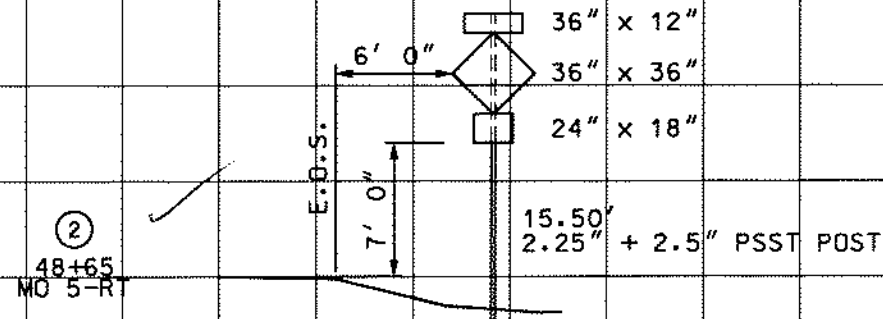
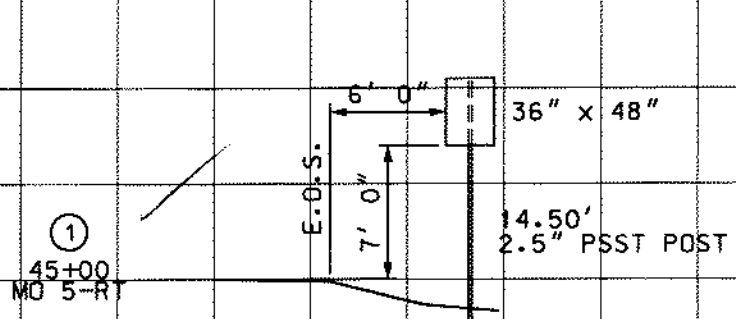
SIGN FACE WILL BE SKEWED TO FACE ON-COMING TRAFFIC FROM LIVINGSTON RD.



<p>MISSOURI HIGHWAYS AND TRANSPORTATION COMMISSION</p> <p>105 WEST CAPITOL JEFFERSON CITY, MO 65102 1-888-ASK-MODOT (1-888-275-6636)</p>	DATE	DESCRIPTION	BRIDGE NO.
	DATE PREPARED		

STRUCTURAL STEEL POST FOOTING DETAIL

See Standard Plan 903.03 for footing details using Design Number 1. Slopes noted are for use with footing design table in standard plan and represent slope between posts. Diameter for all footings is 15".



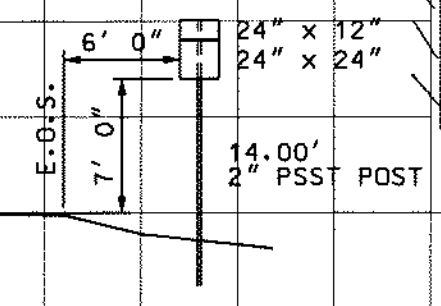
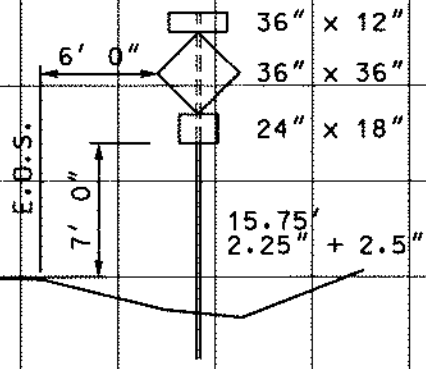
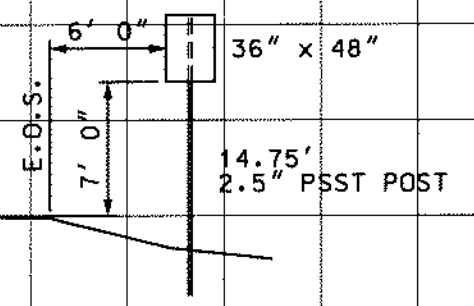
SIGNING SECTIONS SHEET 1 OF 12

FINAL PLANS

Prepared by: Craig Huckaby 7-20-11
Checked by: [Signature] 7-25-11

ROUTE	STATE	DISTRICT	SHEET NO.
5	MO	8	PM32
JOB NO. J8P0902			
CONTRACT ID. 090626-501			
PROJECT NO. FAF-5-2(28)			
COUNTY LACLEDE			
DATE			

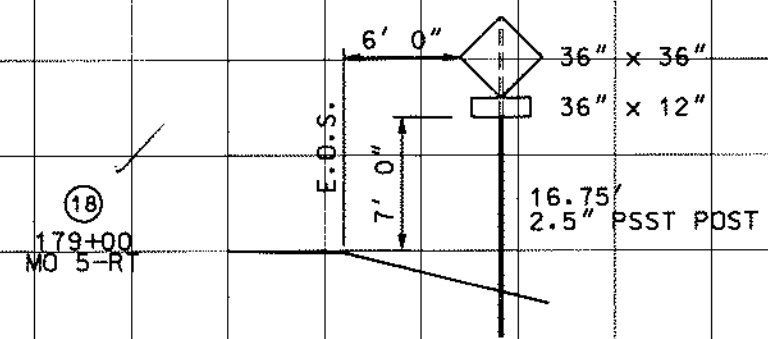
THIS MEDIA SHOULD NOT BE CONSIDERED A CERTIFIED DOCUMENT.



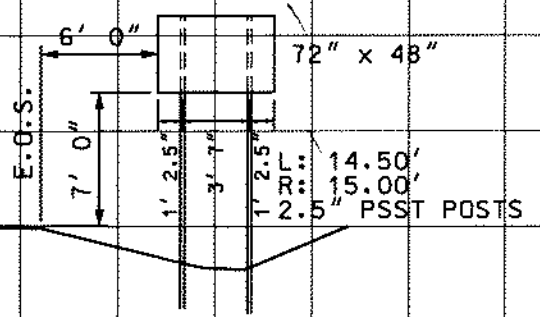
211+00 MO 5-L

213+25 MO 5-L

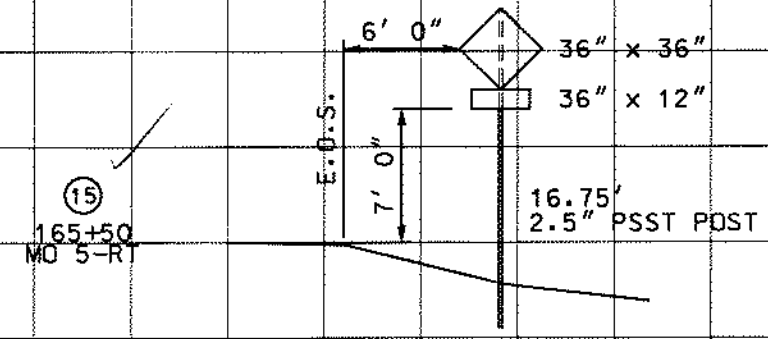
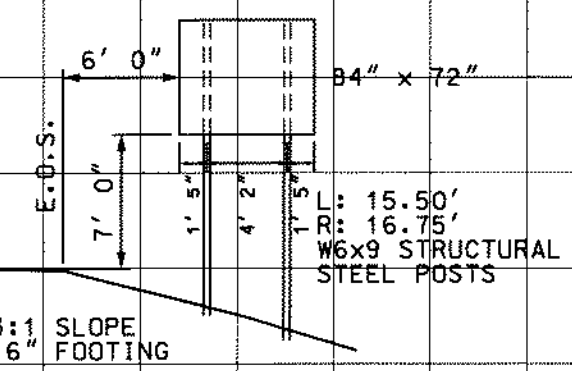
218+00 MO 5-L



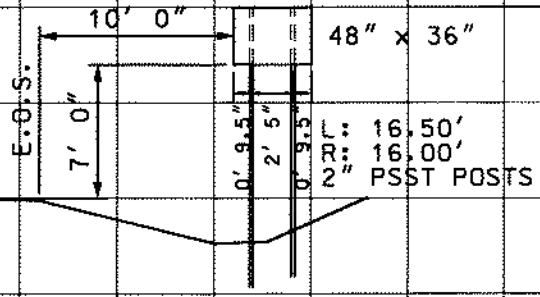
201+00 MO 5-L



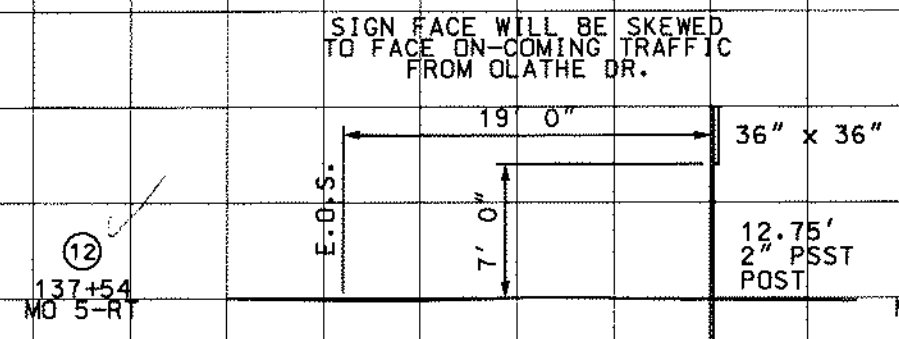
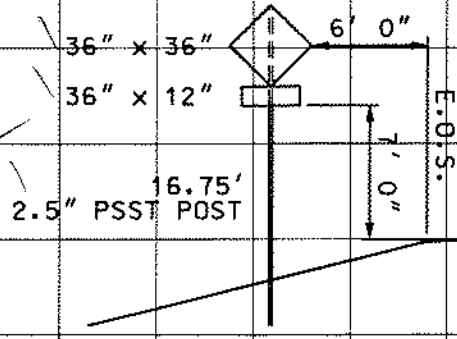
207+00 MO 5-R



168+50 MO 5-R

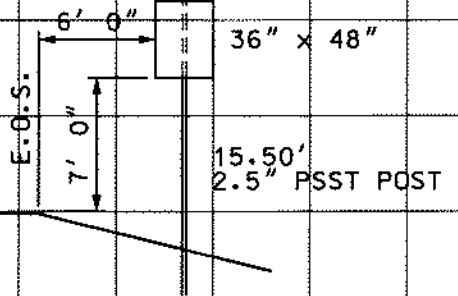


179+00 MO 5-L

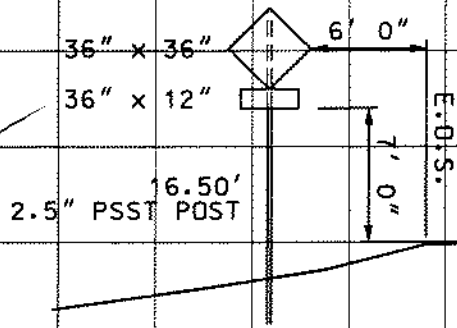


137+54 MO 5-R

144+50 MO 5-L



165+50 MO 5-L



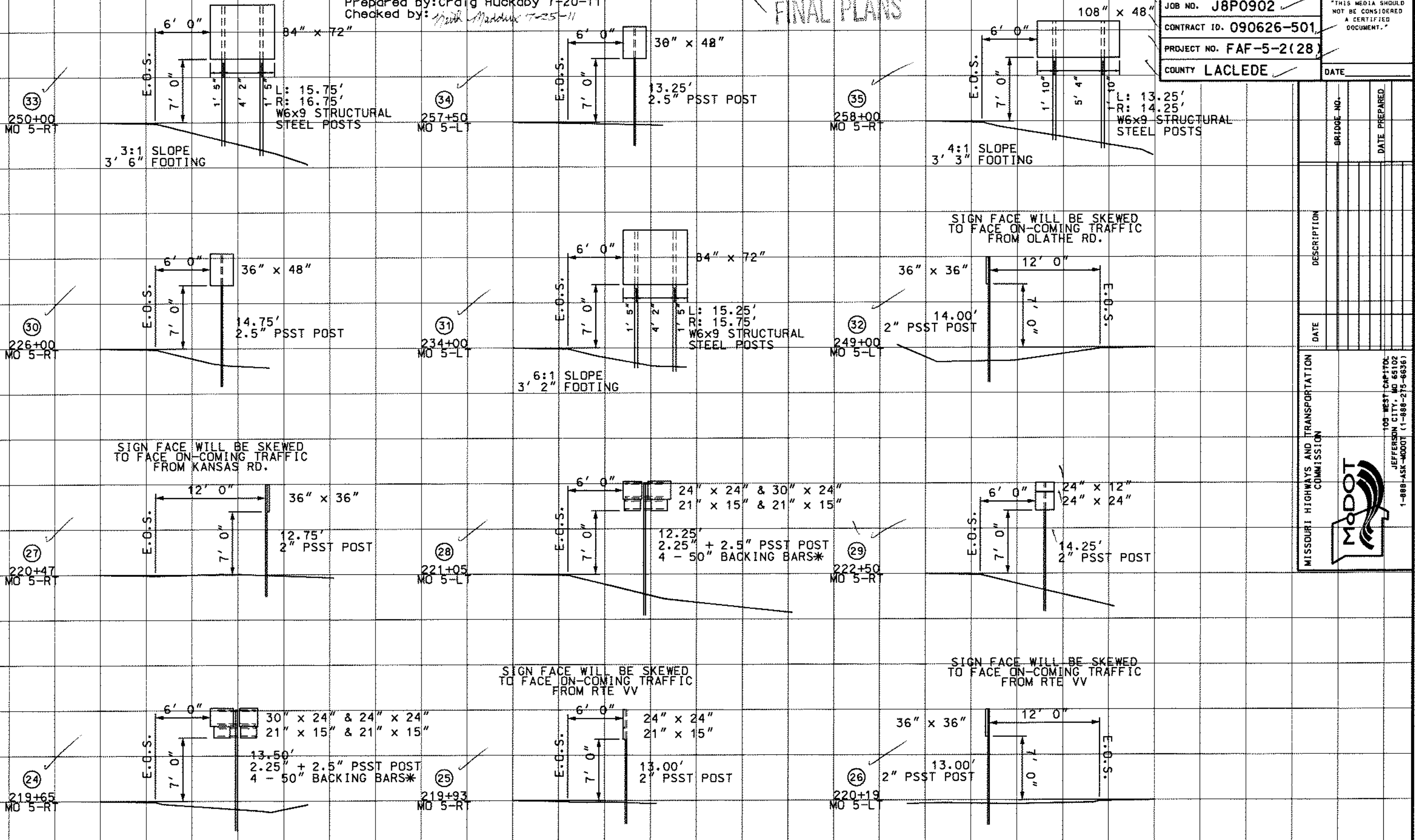
SIGNING SECTIONS SHEET 2 OF 12

ROUTE 5	STATE MO	DISTRICT 8	SHEET NO. PM33
JOB NO. J8P0902			
CONTRACT ID. 090626-501			
PROJECT NO. FAF-5-2(28)			
COUNTY LACLEDE			
DATE			

Prepared by: Craig Huckaby 7-20-11
 Checked by: *Mark Maddux 7-25-11*

FINAL PLANS

"THIS MEDIA SHOULD NOT BE CONSIDERED A CERTIFIED DOCUMENT."



REV.	DESCRIPTION	DATE	BRIDGE NO.	DATE PREPARED

MISSOURI HIGHWAYS AND TRANSPORTATION COMMISSION

100 WEST CAPITOL
 JEFFERSON CITY, MO 65102
 1-888-ASK-MDOT (1-888-275-6636)

SIGNING SECTIONS
 SHEET 3 OF 12

Prepared by: Craig Huckaby 7-20-11
 Checked by: *Heidi Maddy* 7-25-11

FINAL PLANS

ROUTE	STATE	DISTRICT	SHEET NO.
5	MO	8	PM34
JOB NO. J8P0902 ✓			
CONTRACT ID. 090626-501 ✓			
PROJECT NO. FAF-5-2(28) ✓			
COUNTY LACLEDE ✓			
DATE			

"THIS MEDIA SHOULD NOT BE CONSIDERED A CERTIFIED DOCUMENT."

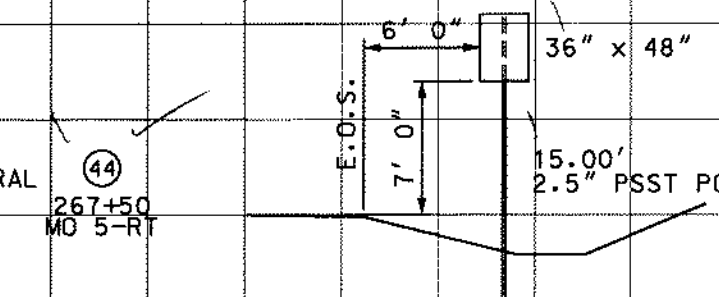
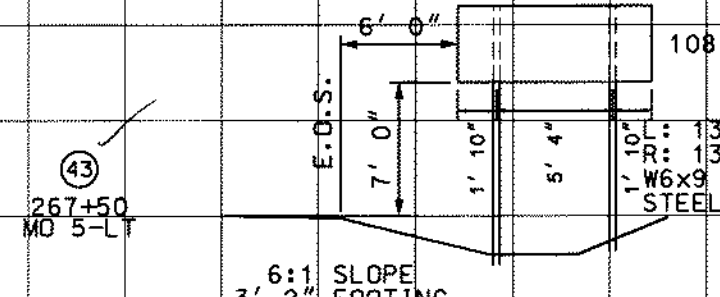
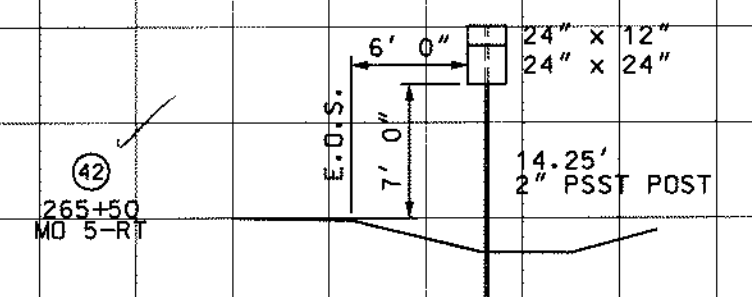
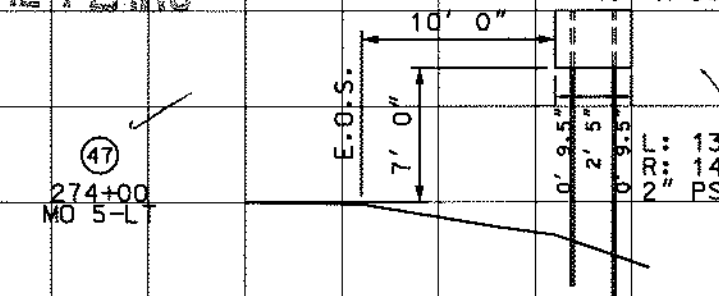
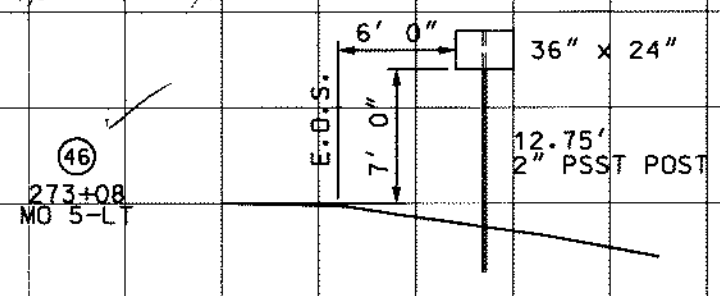
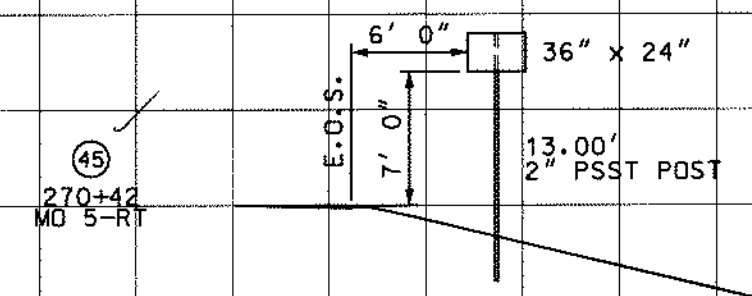
BRIDGE NO.	DATE PREPARED

DESCRIPTION	DATE

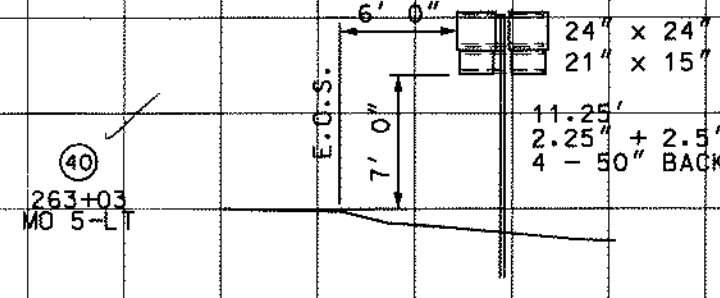
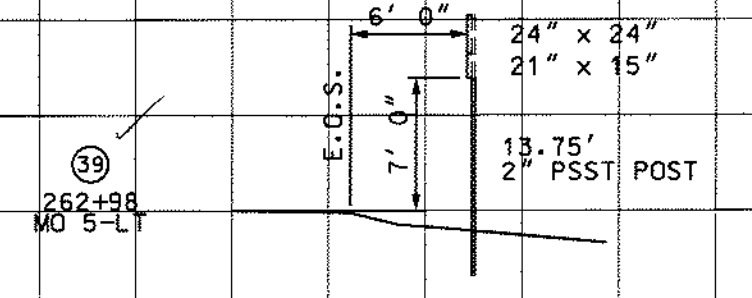


MISSOURI HIGHWAYS AND TRANSPORTATION COMMISSION
 105 WEST CAPITOL
 JEFFERSON CITY, MO 65102
 1-888-ASK-MODOT (1-888-273-6636)

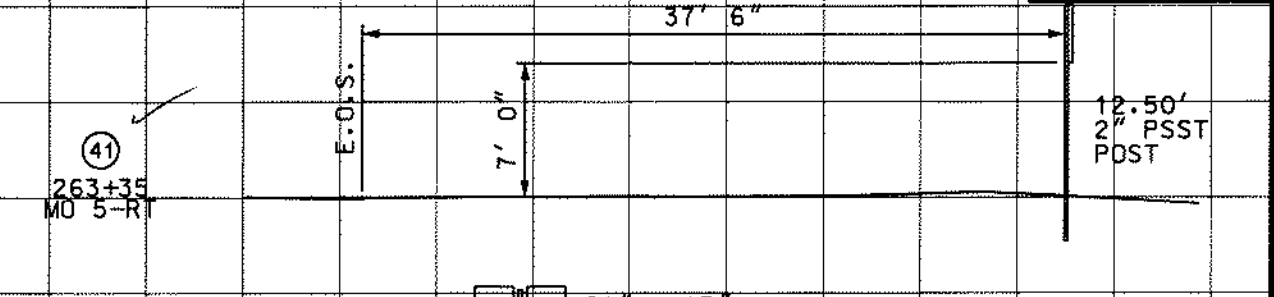
REV. A SEAL IS PRESENT ON THIS SHEET. IT HAS BEEN ELECTRONICALLY SEALED AND DATED.



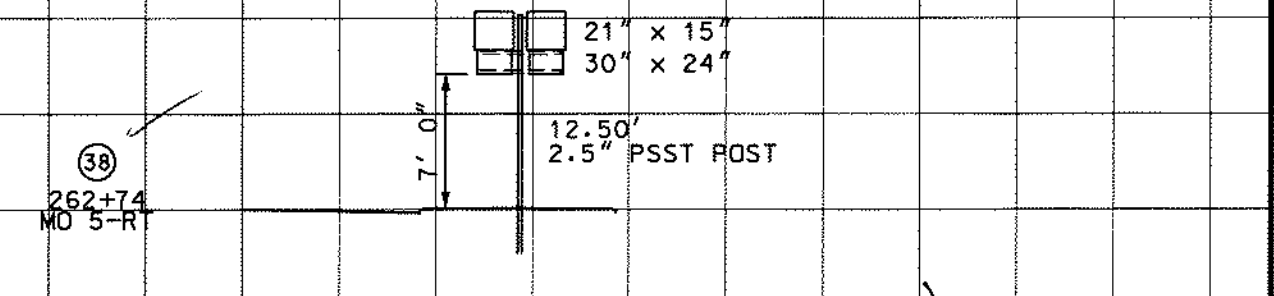
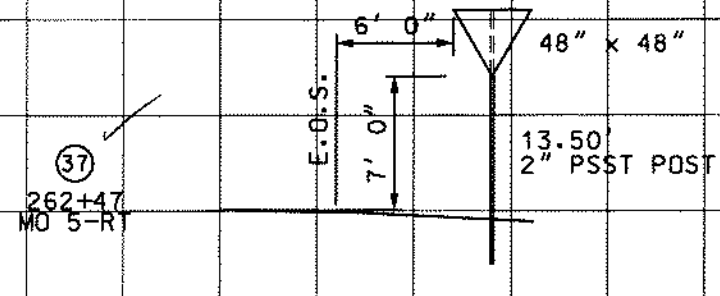
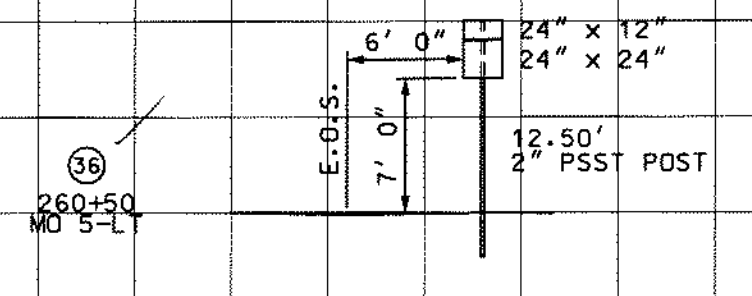
SIGN FACE WILL BE SKEWED TO FACE ON-COMING TRAFFIC FROM RTE E.



SIGN FACE WILL BE SKEWED TO FACE ON-COMING TRAFFIC FROM RTE E.



SIGN FACE WILL BE SKEWED TO FACE RIGHT-TURNING TRAFFIC FROM RTE 5 ONTO RTE E.



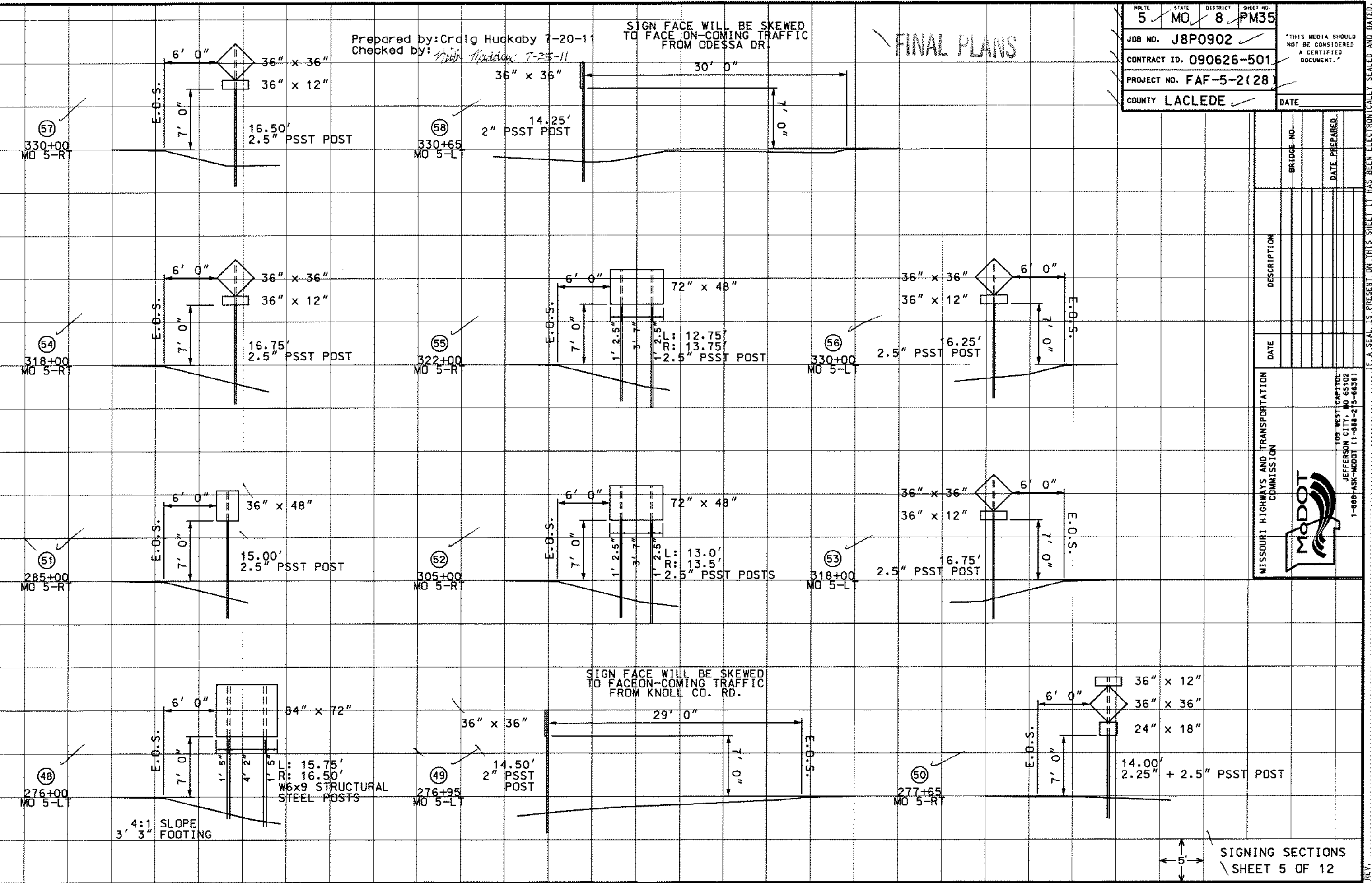
SIGNING SECTIONS SHEET 4 OF 12

ROUTE 5	STATE MO	DISTRICT 8	SHEET NO. PM35
JOB NO. J8P0902			"THIS MEDIA SHOULD NOT BE CONSIDERED A CERTIFIED DOCUMENT."
CONTRACT ID. 090626-501			
PROJECT NO. FAF-5-2(28)			DATE
COUNTY LACLEDE			

Prepared by: Craig Huckaby 7-20-11
 Checked by: *Robert Middleton* 7-25-11

SIGN FACE WILL BE SKEWED TO FACE ON-COMING TRAFFIC FROM ODESSA DR.

FINAL PLANS



BRIDGE NO.	DATE PREPARED
DESCRIPTION	DATE
MISSOURI HIGHWAYS AND TRANSPORTATION COMMISSION	
105 WEST CAPITOL JEFFERSON CITY, MO 65102 1-888-ASK-MODOT (1-888-275-6636)	

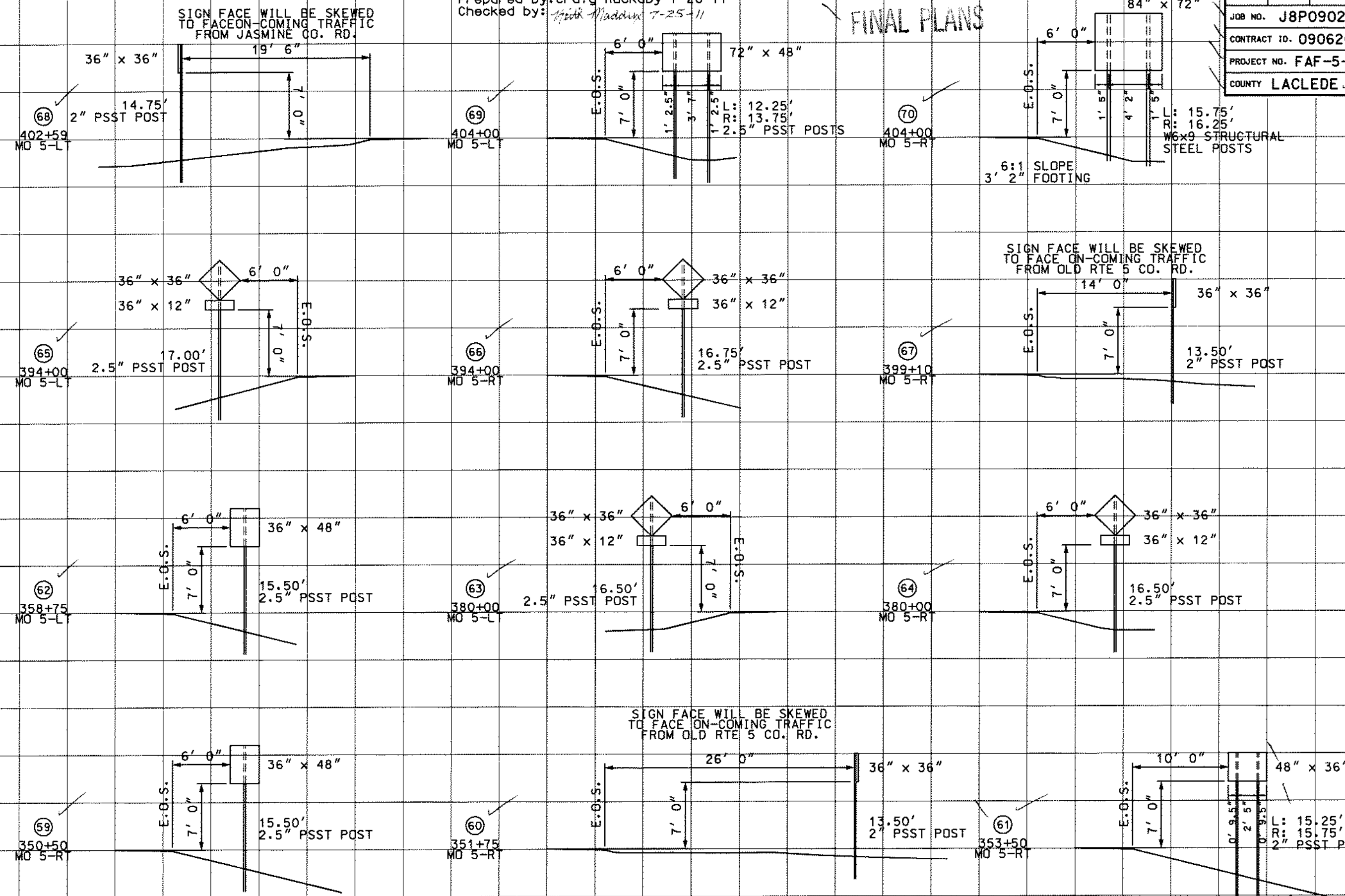
SIGNING SECTIONS
 SHEET 5 OF 12

Prepared by: Craig Huckaby 7-20-11
Checked by: Keith Maddux 7-25-11

FINAL PLANS

ROUTE 5	STATE MO	DISTRICT 8	SHEET NO. PM36
JOB NO. J8P0902			DATE
CONTRACT ID. 090626-501			
PROJECT NO. FAF-5-2(28)			
COUNTY LACLEDE			

THIS MEDIA SHOULD NOT BE CONSIDERED A CERTIFIED DOCUMENT.



BRIDGE NO.	DATE PREPARED	DESCRIPTION	DATE

MISSOURI HIGHWAYS AND TRANSPORTATION COMMISSION

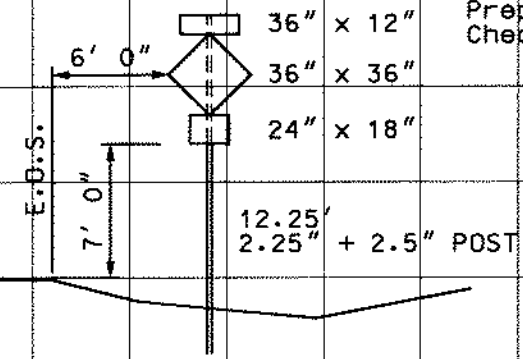
100 WEST CAPITOL JEFFERSON CITY, MO 65102
1-888-ASK-MDOT (1-888-275-6636)

Prepared by: Craig Huckaby 7-20-11
 Checked by: *Matt Madany* 7-25-11

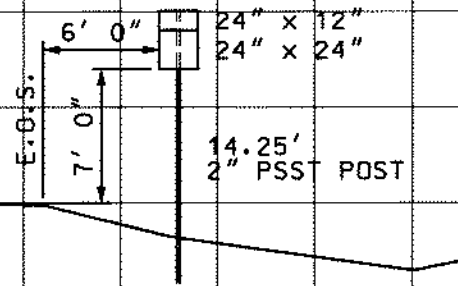
FINAL PLANS

"THIS MEDIA SHOULD NOT BE CONSIDERED A CERTIFIED DOCUMENT."

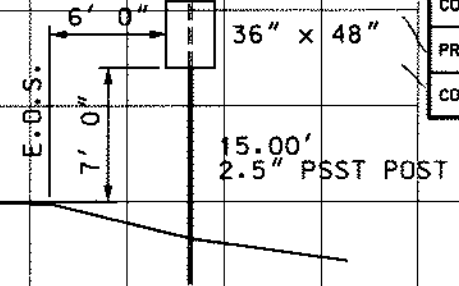
⑧0
417+75
MO 5-RT



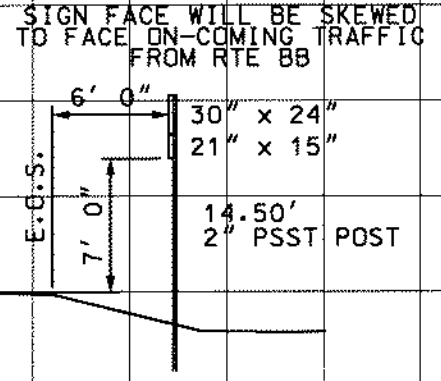
⑧1
419+50
MO 5-RT



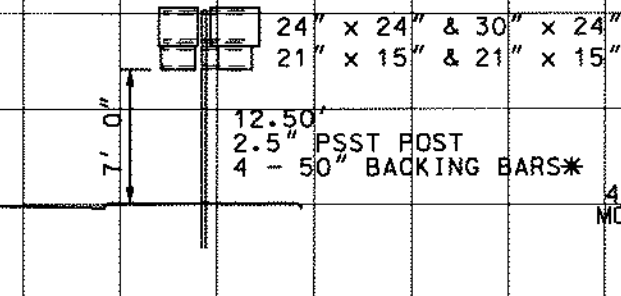
⑧2
422+00
MO 5-RT



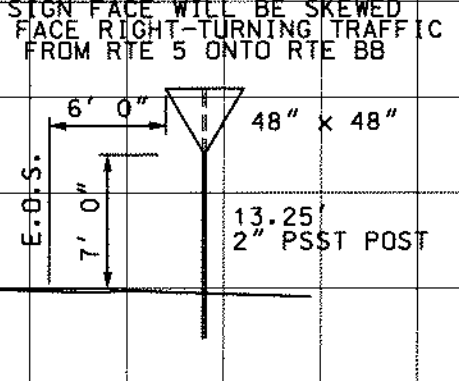
⑧7
416+68
MO 5-RT



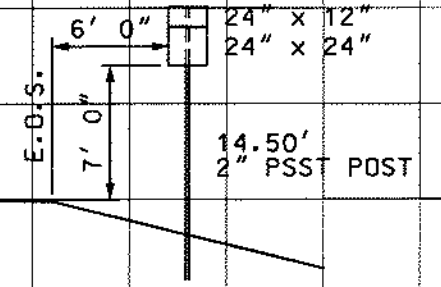
⑧8
417+00
MO 5-L



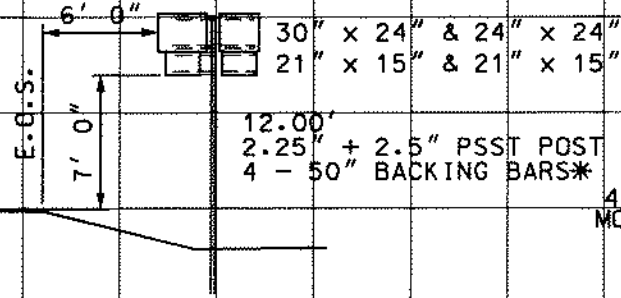
⑧9
417+22
MO 5-L



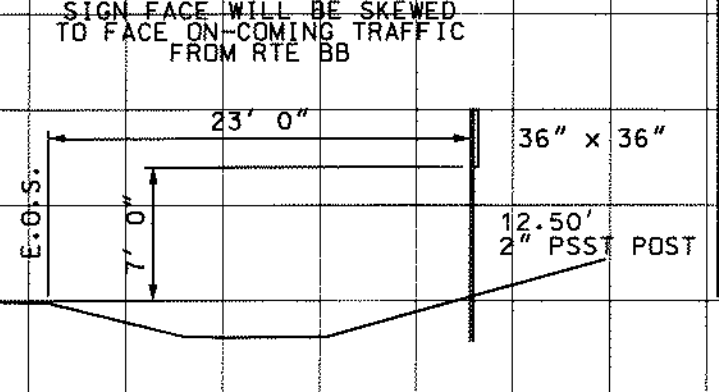
⑧4
414+00
MO 5-L



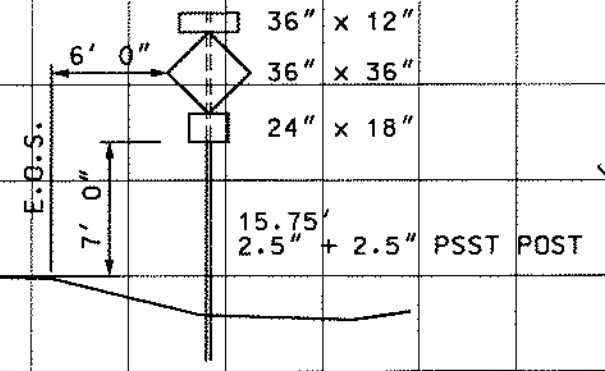
⑧5
416+00
MO 5-RT



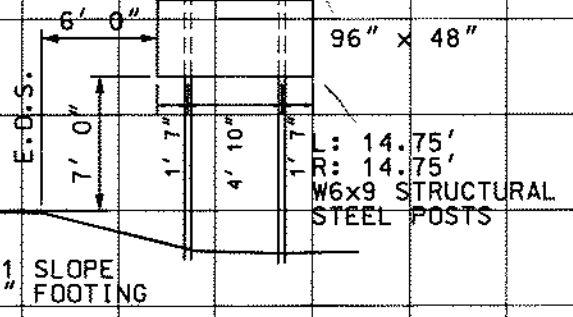
⑧6
416+38
MO 5-L



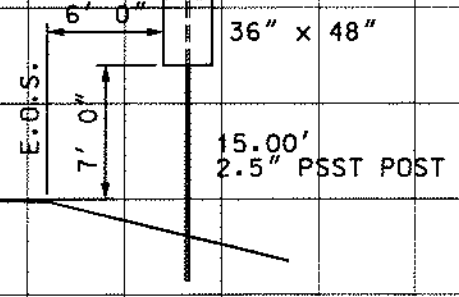
⑧1
409+65
MO 5-L



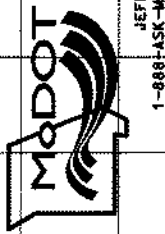
⑧2
411+00
MO 5-RT



⑧3
412+00
MO 5-L



BRIDGE NO.	DATE PREPARED	DESCRIPTION	DATE



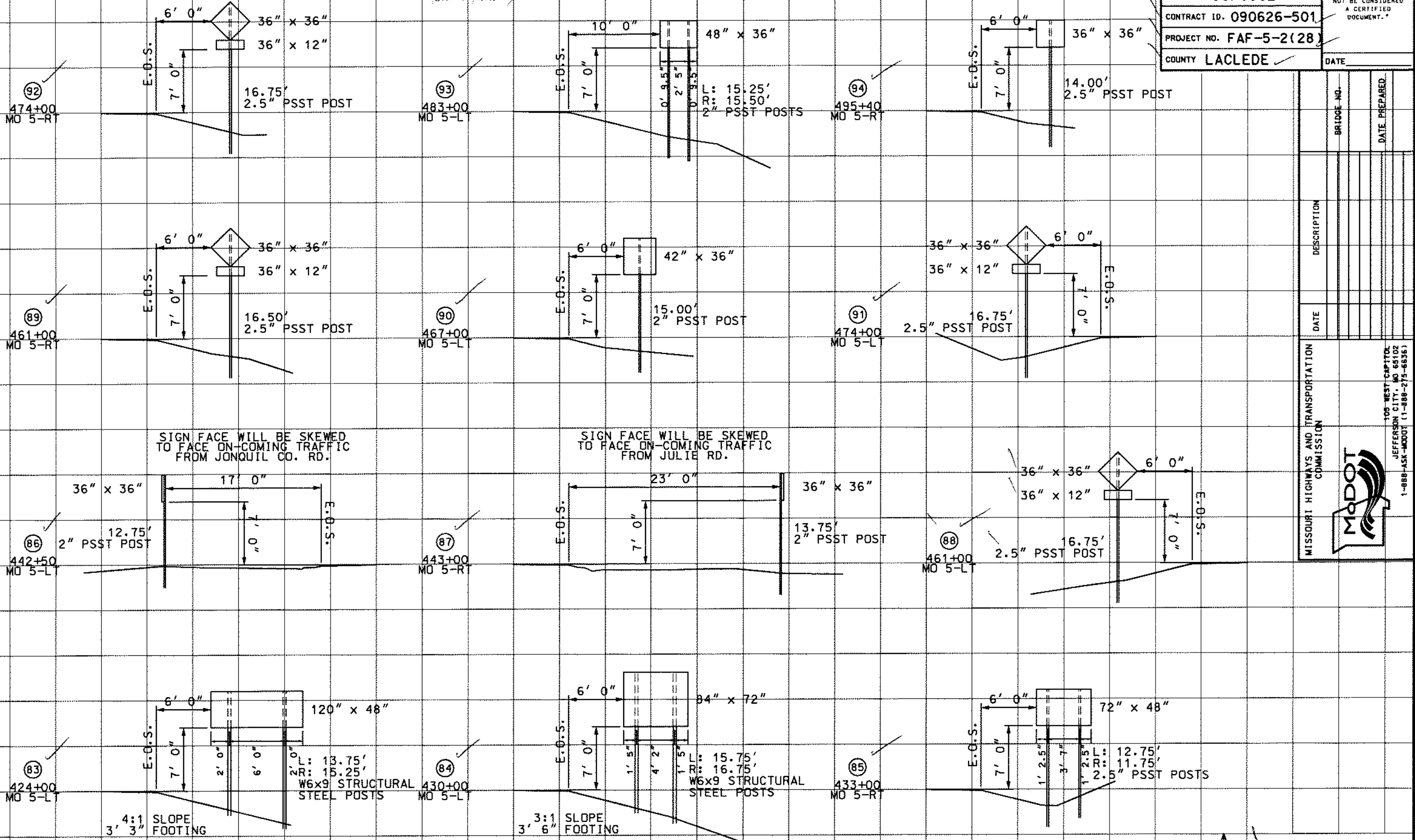
MISSOURI HIGHWAYS AND TRANSPORTATION COMMISSION
 105 WEST CAPITOL
 JEFFERSON CITY, MO 65102
 1-888-ASK-MODOT (1-888-276-6636)

Prepared by: Craig Huckaby 7-20-11
 Checked by: *Will Maddox* 7-25-11

FINAL PLANS

ROUTE 5	STATE MO	DISTRICT 8	SHEET NO. PM38
JOB NO. J8P0902			
CONTRACT ID. 090626-501			
PROJECT NO. FAF-5-2(28)			
COUNTY LACLEDE			
			DATE

"THIS MEDIA SHOULD NOT BE CONSIDERED A CERTIFIED DOCUMENT."



SIGN FACE WILL BE SKEWED TO FACE ON-COMING TRAFFIC FROM JONQUIL CO. RD.

SIGN FACE WILL BE SKEWED TO FACE ON-COMING TRAFFIC FROM JULIE RD.

MISSOURI HIGHWAYS AND TRANSPORTATION COMMISSION

105 WEST CAPITOL
 JEFFERSON CITY, MO 65102
 1-888-ASK-MDOTT (1-888-275-6636)

SIGNING SECTIONS
 SHEET 8 OF 12

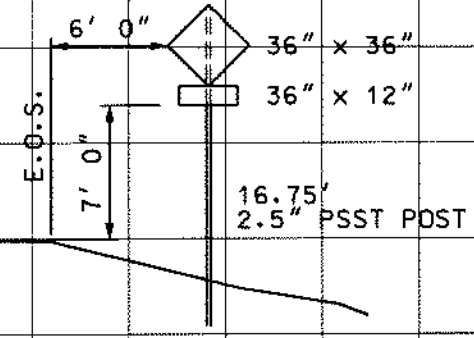
Prepared by: Craig Huckaby 7-20-11
 Checked by: *Mick Maddox* 7-25-11

FINAL PLANS

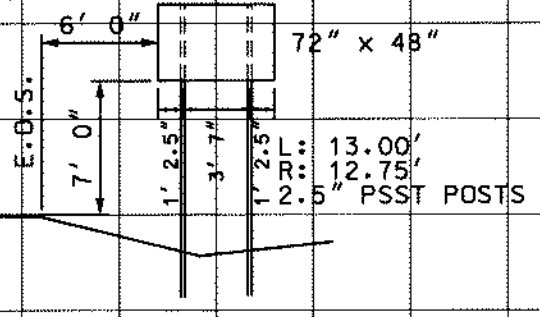
SIGN FACE WILL BE SKEWED TO FACE ON-COMING TRAFFIC FROM HAZEL RD.

ROUTE	STATE	DISTRICT	SHEET NO.
5	MO	8	PM39
JOB NO. J8P0902		*THIS MEDIA SHOULD NOT BE CONSIDERED A CERTIFIED DOCUMENT.*	
CONTRACT ID. 090626-501		PROJECT NO. FAF-5-2(28)	
COUNTY LACLEDE		DATE	

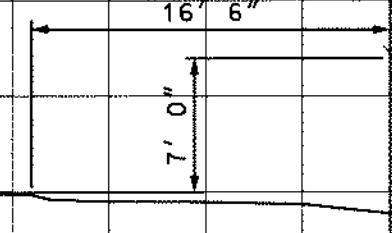
104
 539+00
 MO 5-R



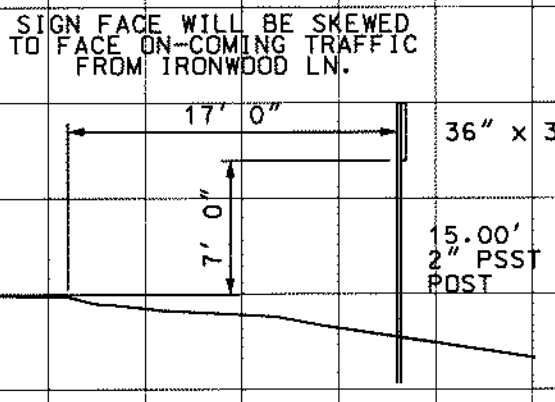
105
 543+00
 MO 5-L



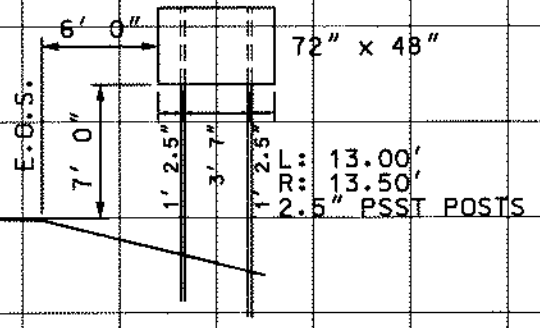
106
 550+25
 MO 5-R



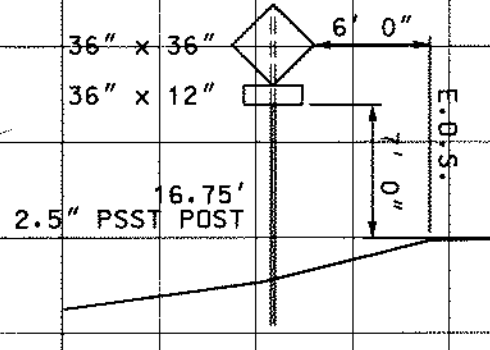
101
 532+00
 MO 5-R



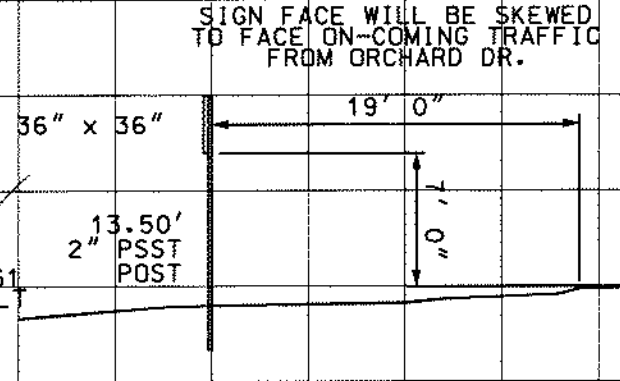
102
 533+00
 MO 5-L



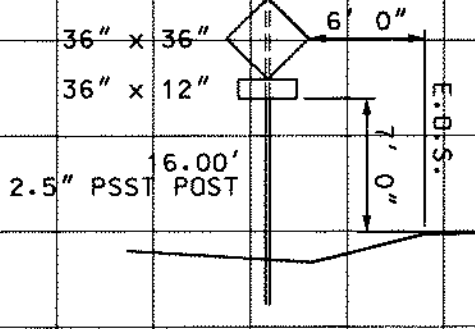
103
 539+00
 MO 5-L



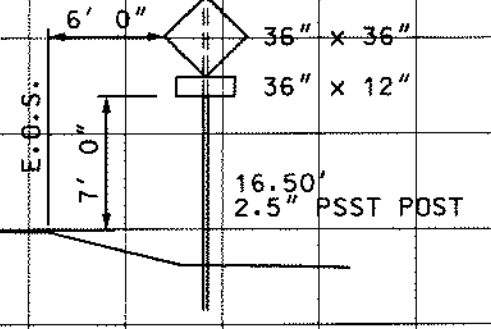
98
 511+61
 MO 5-L



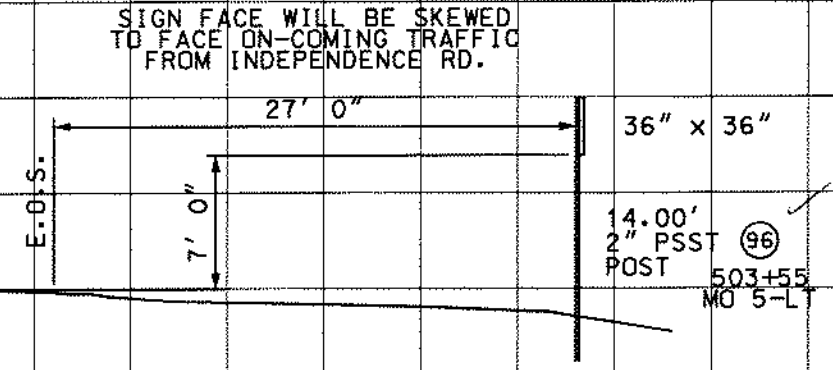
99
 526+00
 MO 5-L



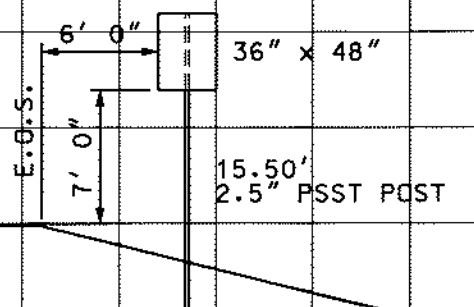
100
 526+00
 MO 5-R



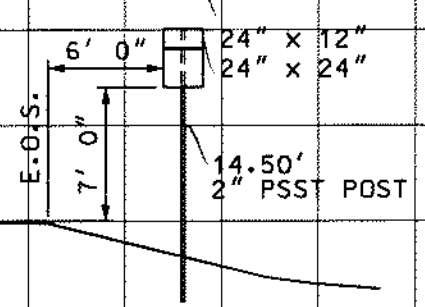
95
 496+65
 MO 5-R



96
 503+55
 MO 5-L

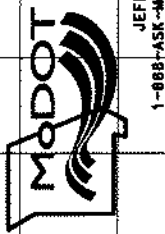


97
 509+50
 MO 5-L



5' SIGNING SECTIONS
 SHEET 9 OF 12

BRIDGE NO.	DATE PREPARED	DESCRIPTION	DATE



105 WEST CAPITOL
 JEFFERSON CITY, MO 65102
 1-888-ASK-MDOT (1-888-274-6636)

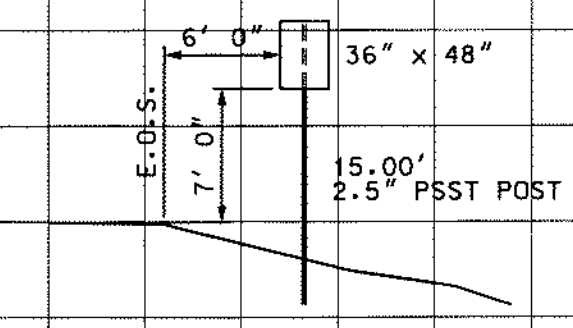
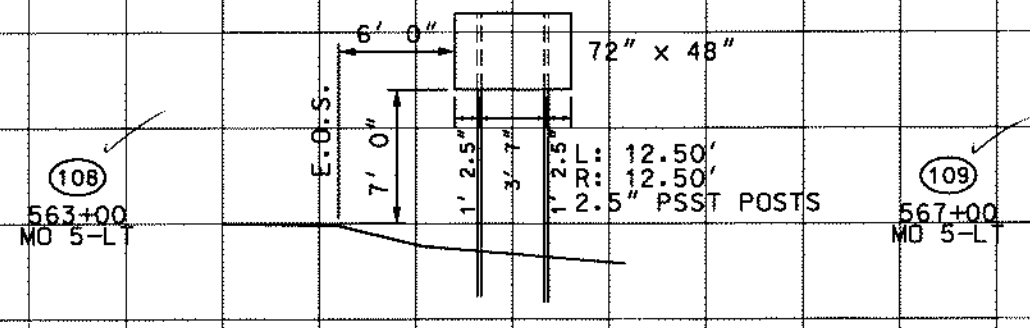
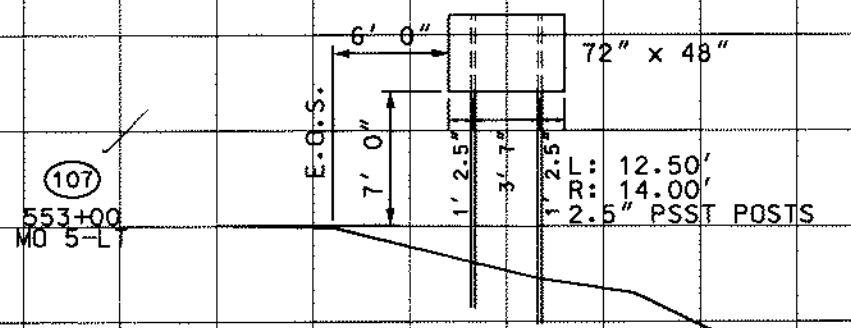
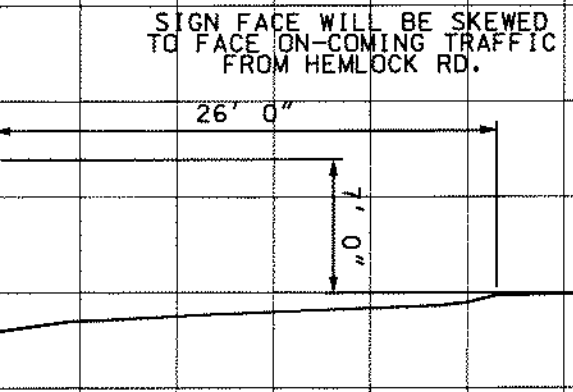
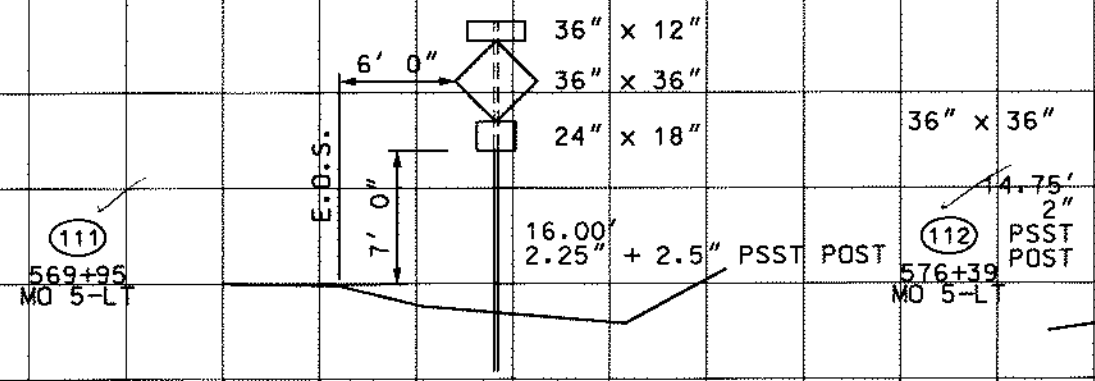
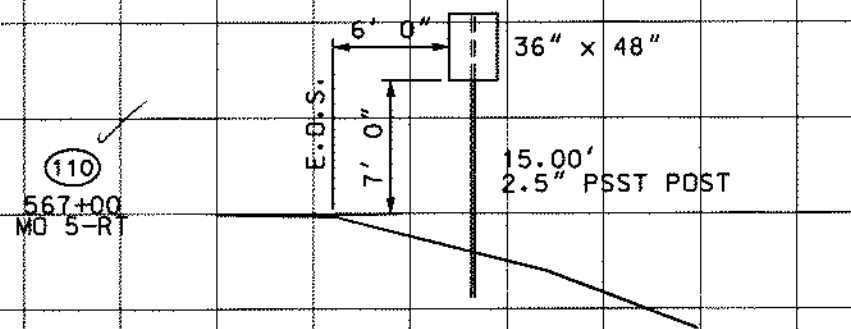
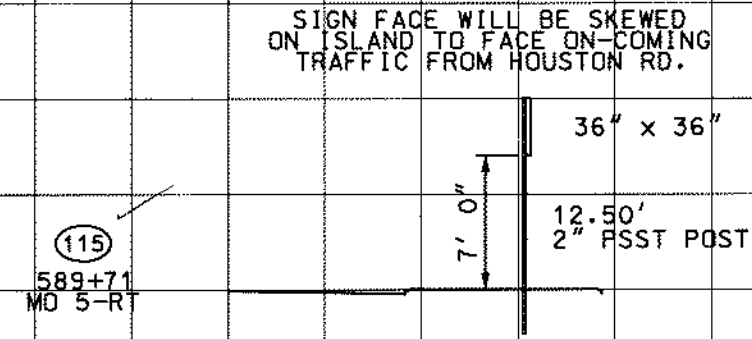
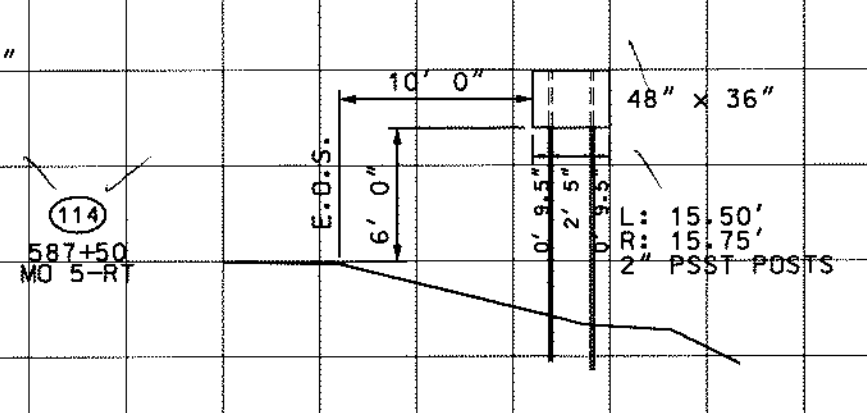
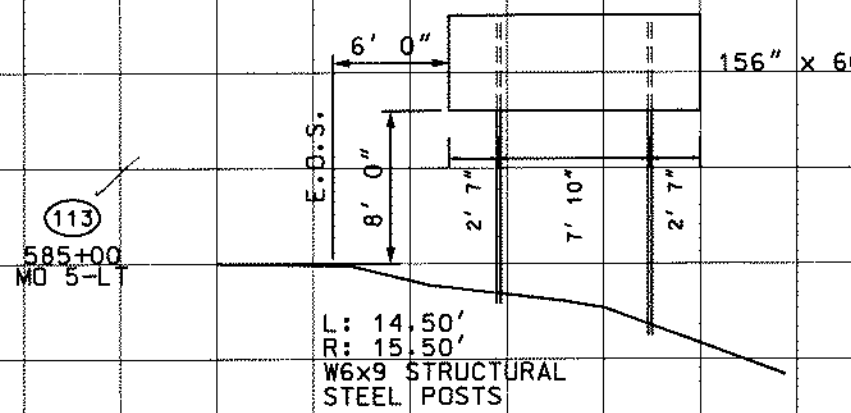
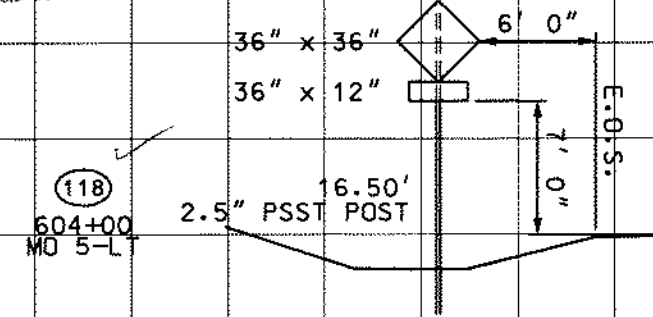
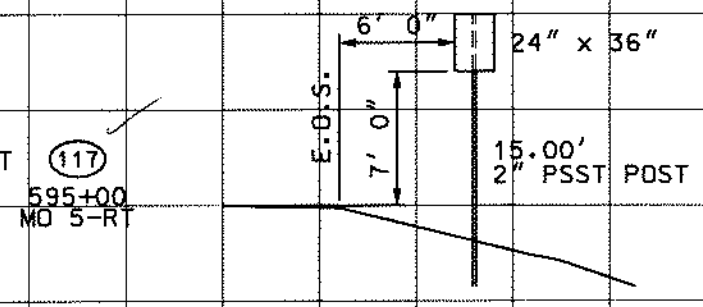
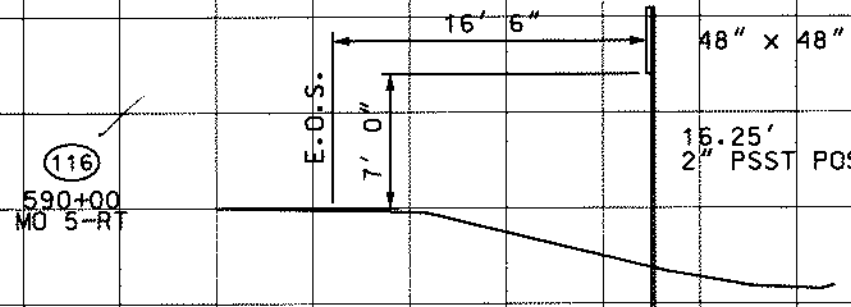
SIGN FACE WILL BE SKEWED TO FACE RIGHT-TURNING TRAFFIC FROM HOUSTON RD ONTO RTE 5.

Prepared by: Craig Huckaby 7-20-11
Checked by: Heath Maddy 7-25-11

FINAL PLANS

ROUTE	STATE	DISTRICT	SHEET NO.
5	MO	8	PM40
JOB NO. J8P0902			
CONTRACT ID. 090626-501			
PROJECT NO. FAF-5-2(28)			
COUNTY LACLEDE			
DATE			

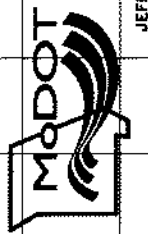
"THIS MEDIA SHOULD NOT BE CONSIDERED A CERTIFIED DOCUMENT."



SIGN FACE WILL BE SKEWED ON ISLAND TO FACE ON-COMING TRAFFIC FROM HOUSTON RD.

SIGN FACE WILL BE SKEWED TO FACE ON-COMING TRAFFIC FROM HEMLOCK RD.

BRIDGE NO.	DATE PREPARED
DESCRIPTION	DATE
MISSOURI HIGHWAYS AND TRANSPORTATION COMMISSION	

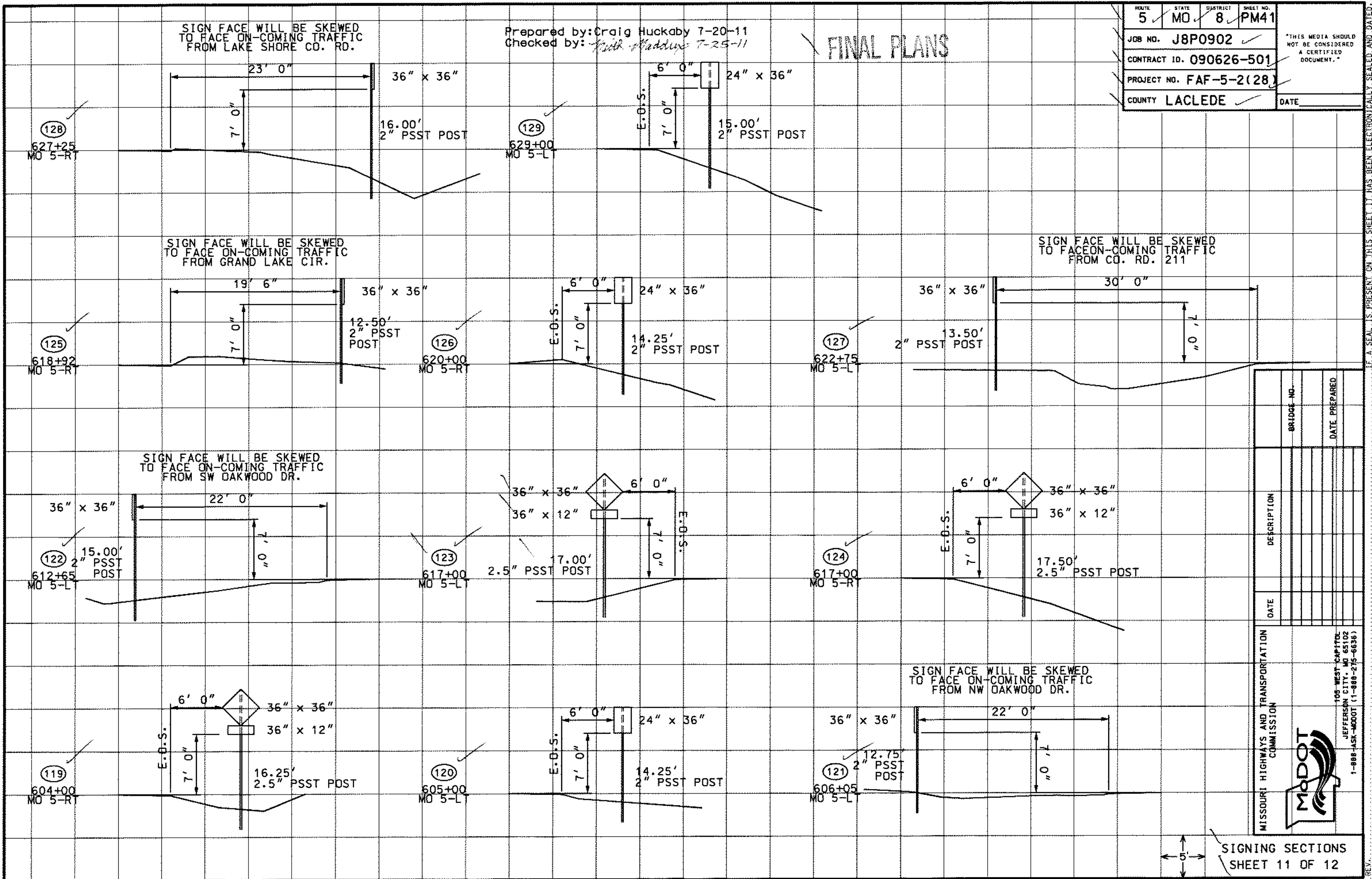


105 WEST CAPITOL
JEFFERSON CITY, MO 65102
1-888-ASK-MODOT (1-888-275-8636)

SIGNING SECTIONS
SHEET 10 OF 12

Prepared by: Craig Huckaby 7-20-11
 Checked by: *Rich Maddox 7-25-11*

FINAL PLANS



DATE	DESCRIPTION	BRIDGE NO.	DATE PREPARED

MISSOURI HIGHWAYS AND TRANSPORTATION COMMISSION

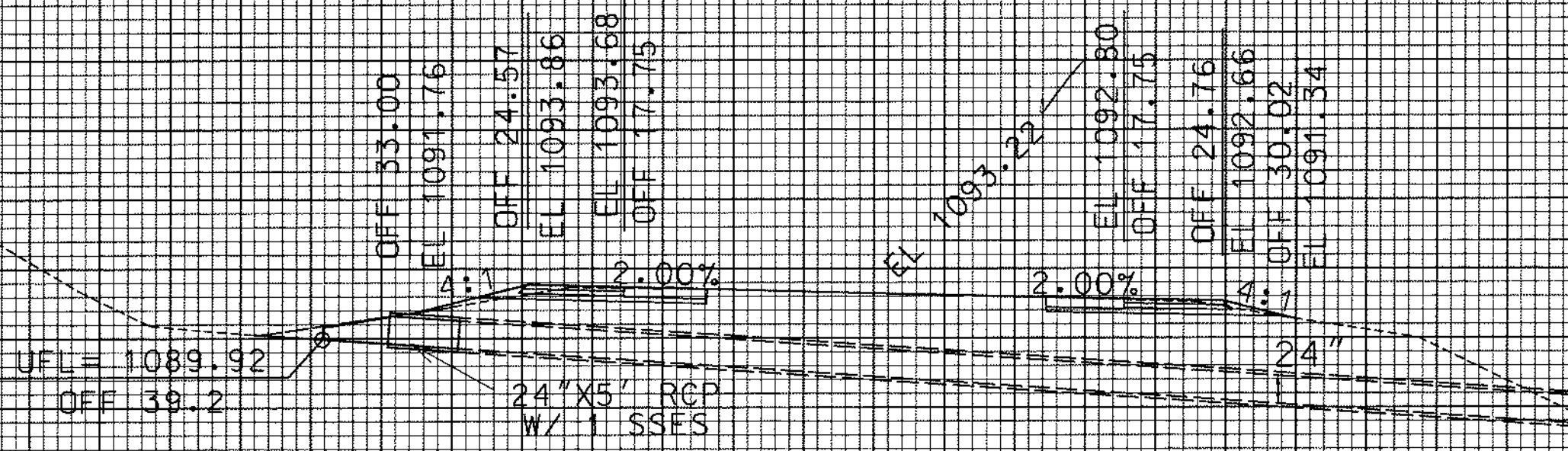
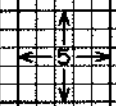
105 WEST CAPITOL
 JEFFERSON CITY, MO 65102
 1-888-TASK-MISSOURI (1-888-276-6336)

FINAL PLANS

Prepared by: Craig Huckaby 7-25-11
 Checked by: Mark Maddy 7-25-11

ROUTE 5	STATE MO	DISTRICT 8	SHEET NO. CS1
JOB NO. J8P0902			*THIS MEDIA SHOULD NOT BE CONSIDERED A CERTIFIED DOCUMENT.*
CONTRACT ID. 090626-501			
PROJECT NO. FAF-5-2(28)			
COUNTY LACLEDE			
			DATE

1425
1420
1415
1410
1405
1400
1395
1390
1385
1380
1375
1370
1365



STA 242+68.1
 REPL EXIST S HDWLL-L
 W/ 24"X5' RCP
 1 SSES REQ
 CL 3= 1 CY

242+68.10

CULVERT SECTIONS
 SHEET 1 OF 3

65 60 55 50 45 40 35 30 25 20 15 10 5 0 5 10 15 20 25 30 35 40 45 50 55 60

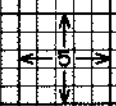
IF A SEAL IS PRESENT ON THIS SHEET IT HAS BEEN ELECTRONICALLY SEALED AND DATED.

FINAL PLANS

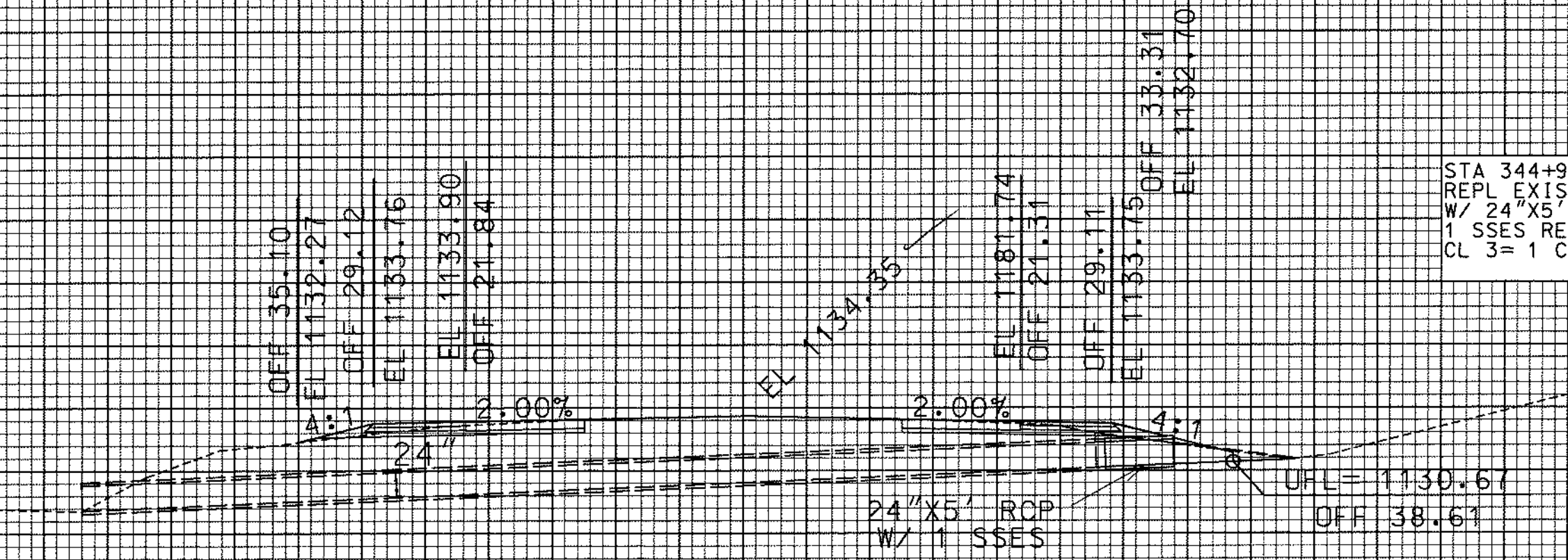
Prepared by: Craig Huckaby 7-25-11
Checked by: *[Signature]* 7-25-11

ROUTE 5	STATE MO	DISTRICT 8	SHEET NO. CS2
JOB NO. J8P0902			*THIS MEDIA SHOULD NOT BE CONSIDERED A CERTIFIED DOCUMENT.*
CONTRACT ID. 090626-501			
PROJECT NO. FAF-5-2(28)			
COUNTY LACLEDE			
DATE			

1160
1155
1150
1145
1140
1135
1130
1125
1120
1115



65 60 55 50 45 40 35 30 25 20 15 10 5 0 5 10 15 20 25 30 35 40 45 50 55 60



STA 344+99.76
REPL EXIST S HDWLL-RT
W/ 24"X5' RCP
1 SSES REQ
CL 3= 1 CY ✓

UFL = 1130.61
OFF 38.61

344+99.76

CULVER SECTIONS
SHEET 2 OF 3 ✓

IF A SEAL IS PRESENT ON THIS SHEET, IT HAS BEEN ELECTRONICALLY SEALED AND DATED.

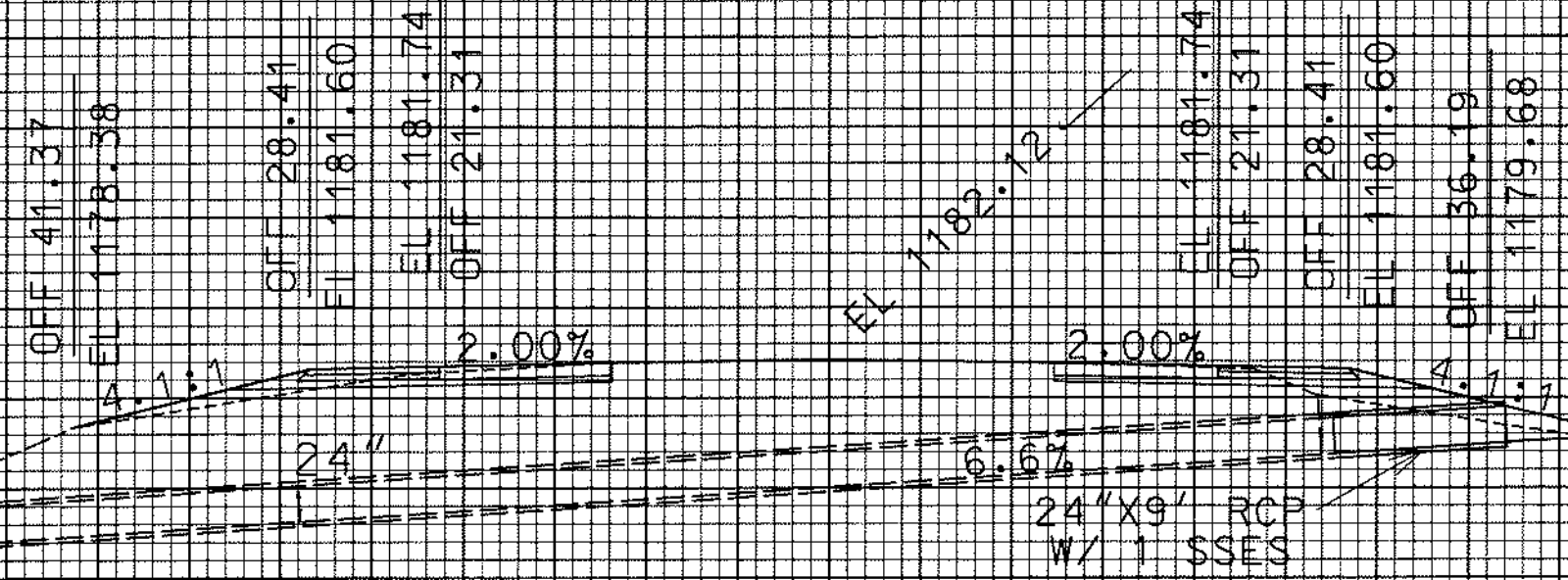
FINAL PLANS

ROUTE 5	STATE MO	DISTRICT 8	SHEET NO. CS3
JOB NO. J8P0902			
CONTRACT ID. 090626-501			
PROJECT NO. FAF-5-2(28)			
COUNTY LACLEDE			
DATE			

THIS MEDIA SHOULD NOT BE CONSIDERED A CERTIFIED DOCUMENT.

Prepared by: Craig Huckaby 7-25-11
Checked by: Keith Waddy 7-25-11

1410
1405
1400
1395
1390
1385
1380
1375
1370
1365
1360
1355



STA 412+19.63
REPL EXIST S HDWLL-RT
W/ 24"X9' RCP
1 SSES REQ
CL 3= 1 CY ✓

412+19.63

CULVER SECTIONS
SHEET 3 OF 3



65 60 55 50 45 40 35 30 25 20 15 10 5 0 5 10 15 20 25 30 35 40 45 50 55 60

IF A SEAL IS PRESENT ON THIS SHEET IT HAS BEEN ELECTRONICALLY SEALED AND DATED.